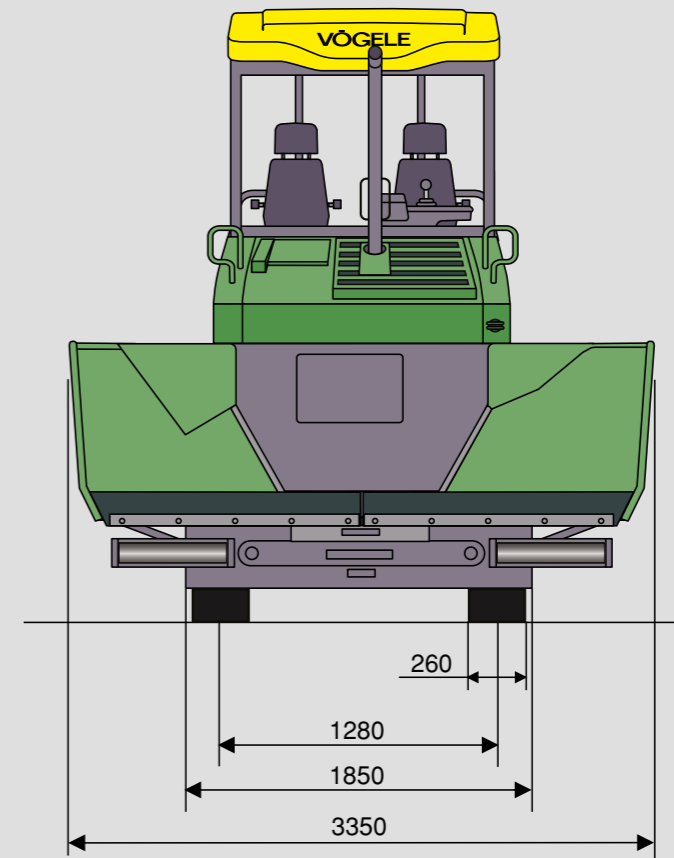
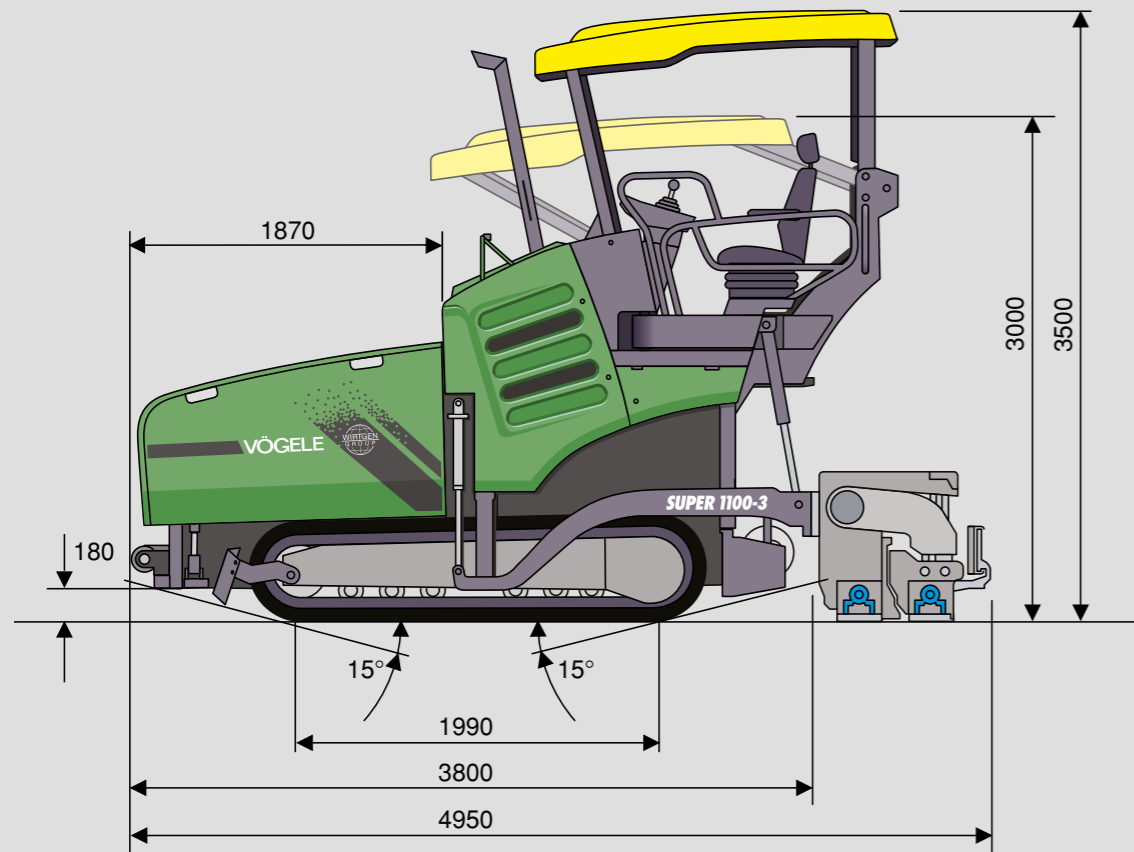


All the Facts at a Glance



Dimensions in mm

POWER UNIT

SUPER 1100-3 (for all countries except EU/EFTA countries / USA / Canada)	
Engine:	4-cylinder Deutz diesel engine
Type:	TCD 3.6L4
Exhaust Emissions Standard:	EU Stage 3a, US EPA Tier 3
Output:	Nominal: 74.4kW at 2,000 rpm (according to DIN) ECO Mode: 68.2kW at 1,600 rpm
Fuel Tank:	110 litres
Electrical System:	24V

UNDERCARRIAGE

Crawler Tracks:	provided with rubber pads
Ground Contact:	1,990mm x 260mm
Suspension:	rigid
Track Tension Adjuster:	spring assembly
Track Rollers:	lifetime grease lubricated
Traction Drive:	hydraulic, separate drive and electronic control provided for each crawler track

UNDERCARRIAGE

Speeds:	Paving: up to 30m/min., infinitely variable Travel: up to 4.5km/h, infinitely variable
Steering:	by alteration of track running speeds
Service Brake:	hydraulic
Parking Brake:	spring-loaded multiple-disk brake, maintenance-free

MATERIAL HOPPER

Hopper Capacity:	10t
Width:	3,332mm
Feed Height:	572mm (bottom of material hopper)
Push-Rollers:	oscillating, displaceable forwards by 80mm

CONVEYORS AND AUGERS

Conveyors:	2, with replaceable feeder bars, conveyor movement reversible for a short time Drive: hydraulic, separate drive provided for each conveyor Speed: up to 25m/min., infinitely variable (manual or automatic) Conveyor Bearings: lifetime grease lubricated
Augers:	2, auger rotation reversible Diameter: 300mm Drive: hydraulic, separate drive provided for each auger Speed: up to 80 rpm, infinitely variable (manual or automatic) Auger Height: infinitely variable by 13cm, mechanical

SCREED

AB 340:	basic width 1.8m, infinitely variable range 1.8m to 3.4m maximum width 4.2m minimum width 0.75m Reduction in Width: by cut-off shoes, 2 x 52.5cm
Screed Version:	V
Layer Thickness:	up to 20cm
Screed Heating:	electric by heating rods
Power Supply:	three-phase A.C. generator

DIMENSIONS AND WEIGHTS

Length:	4.95m (tractor unit and screed in transport position)
Weight:	Tractor unit with AB 340 screed in V version, pave widths up to 3.4m: 10.2t pave widths up to 4.2m: 11.1t

Key: V = equipped with Vibrators AB = Extending Screed

Technical alterations reserved.