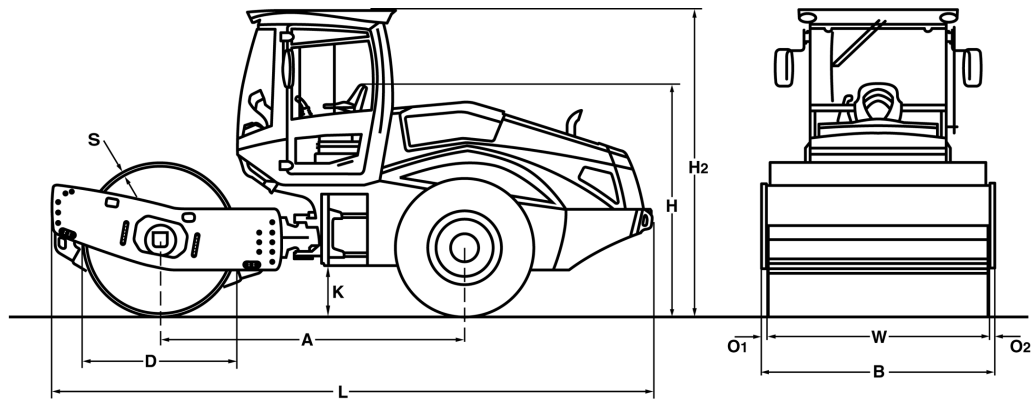


# TECHNICAL DATA

SINGLE DRUM ROLLERS

BW 212 D-5, BW 212 DH-5, BW 212 PD-5





### Dimensions in mm

	A	B	D	H	H2	K	L	O1	O2	S	W
<b>BW 212 D-5</b>	2975	2270	1500	2260	2990	490	5870	70	70	25	2130
<b>BW 212 DH-5</b>	2975	2270	1500	2260	2990	490	5870	70	70	25	2130
<b>BW 212 PD-5</b>	2975	2270	1480	2260	2990	490	5870	70	70	25	2130

### Shipping dimensions in m3

**BW 212 D-5**  
**BW 212 DH-5**  
**BW 212 PD-5**

### without ROPS

30,114  
 30,114  
 30,114

### with ROPS

39,841  
 39,841  
 39,841

Machine type	Compaction output (m3/h)			
	Rock fill	Gravel, sand	Mixed soil	Silt, clay
BW 212 D-5	470-940	300-600	240-480	120-240
BW 212 DH-5	490-990	350-690	260-510	150-310
BW 212 PD-5	470-940	300-600	240-480	180-360

Machine type	Compacted layer thickness (m)			
	Rock fill	Gravel, sand	Mixed soil	Silt, clay
BW 212 D-5	0,75	0,50	0,40	0,20
BW 212 DH-5	0,75	0,50	0,40	0,25
BW 212 PD-5	0,80	0,50	0,40	0,30

**Technical Data****BOMAG  
BW 212 D-5****BOMAG  
BW 212 DH-5****BOMAG  
BW 212 PD-5****Weights**

Grossweight .....	kg	13.700	14.600	13.590
Operating weight CECE w. ROPS-cabin	kg	11.450	11.730	12.940
Axle load, drum CECE .....	kg	6.510	6.720	8.020
Axle load, wheels CECE .....	kg	4.940	5.010	4.930
Static linear load CECE .....	kg/cm	30,6	31,5	

**Dimensions**

Working width .....	mm	2.130	2.130	2.130
Track radius, inner .....	mm	3.680	3.680	3.680

**Driving Characteristics**

Speed (1) .....	km/h	0- 5,0		0- 5,0
Speed (2) .....	km/h	0- 6,0		0- 6,0
Speed (3) .....	km/h	0- 8,0		0- 8,0
Speed (4) .....	km/h	0- 11,0		0- 11,0
Speed .....	km/h		0- 12,0	
Max. gradeability without/with vibr. ...	%	47/45	59/57	54/51

**Drive**

Engine manufacturer .....		Deutz	Deutz	Deutz
Type .....		TCD 3.6 L4	TCD 3.6 L4	TCD 3.6 L4
Emission stage .....		Stage IV / TIER4f	Stage IV / TIER4f	Stage IV / TIER4f
Exhaust gas aftertreatment .....		DOC+SCR	DOC+SCR	DOC+SCR
Cooling .....		Liquid	Liquid	Liquid
Number of cylinders .....		4	4	4
Performance ISO 3046 .....	kW	95,0	95,0	95,0
Performance SAE J 1995 .....	hp	128,0	128,0	128,0
Speed .....	min-1	2.000	2.000	2.000
Fuel .....		Diesel	Diesel	Diesel
Electric equipment .....	V	12	12	12
Drive system .....		hydrost.	hydrost.	hydrost.
Drum driven .....		standard	standard	standard

**Drums and Tyres**

Number of pad feet .....				150
Area of one pad foot .....	cm2			137
Height of pad feet .....	mm			100
Tyre size .....		23.1-26 12PR	23.1-26 12PR	23.1-26 12PR

**Brakes**

Service brake .....		hydrost.	hydrost.	hydrost.
Parking brake .....		hydromec.	hydromec.	hydromec.

**Steering**

Steering system .....		oscil.artic.	oscil.artic.	oscil.artic.
Steering method .....		hydrost.	hydrost.	hydrost.
Steering / oscillating angle +/- .....	grad	35/12	35/12	35/12

**Exciter system**

Drive system .....		hydrost.	hydrost.	hydrost.
Frequency .....	Hz	30/34	30/34	30/34
Amplitude .....	mm	1,95/1,00	1,95/1,00	1,70/0,90
Centrifugal force .....	kN	240/158	240/158	285/194
Centrifugal force .....	t	24,5/16,1	24,5/16,1	29,1/19,8

**Capacities**

Fuel .....	l	220,0	220,0	220,0
------------	---	-------	-------	-------

Technical modifications reserved. Machines may be shown with options.

### Standard Equipment

- BOMAG ECOMODE
- Warning, information and operation displays with LCD
- Noise insulation
- Hydrostatic travel and vibration drive
- Hydrostatic articulated steering
- Articulated joint lock
- Rear axle with twin spring accumulator brakes
- No-Spin differential lock
- Warning horn
- Single lever control for travel and vibration
- Seat with arm rest and adj. for position and height
- 2 Scrapers
- Emergency STOP
- Back-up alarm
- Working lights front / rear
- Double pump system for travel drive (DH/PDH)
- Tractor tires (PD)
- Loading mode
- Sliding window
- Battery disconnect switch

### Optional Equipment

- \* ROPS/FOPS cabin with seat belts
  - Sliding window
- ROPS/FOPS with safety belt
- Air condition
- Rearview camera
- ECONOMIZER
- TERRAMETER
- BOMAG ECOSTOP
- BOMAG TELEMATIC POWER
- Padfoot segment kit (D/DH)
- Radio (Bluetooth)
- Indicator and hazard lights
- BCM 05 Documentation system
- Special painting
- Rotary beacon
- Pre start cabin heating
- Environmentally compliant hydraulic oil
- Comfort package: Adjustable seat and adjustable steering column
- Measuring- and machine data interface for third-party suppliers
- LED Working lights (Cabin)
- Reversing alarm buzzer with broad band audio

\* Standard delivery with CE conformity  
(valid within European Union)

