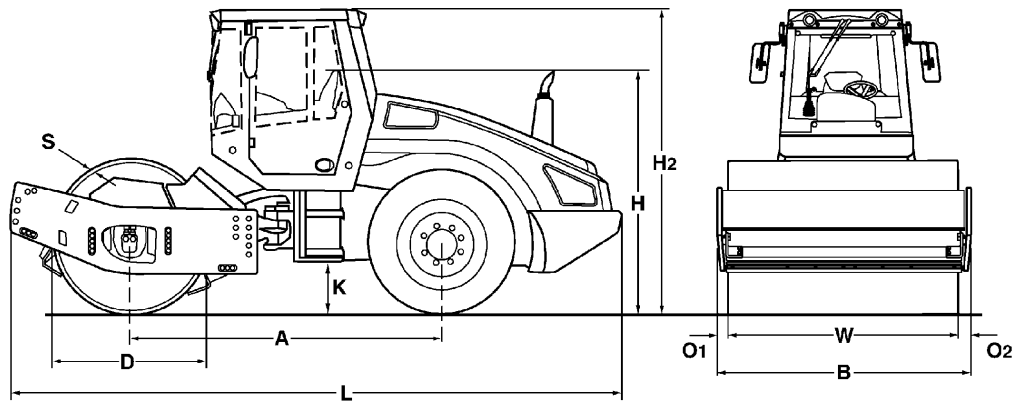


TECHNICAL DATA

SINGLE DRUM ROLLER

BW 226 DH-4





Dimensions in mm

	A	B	D	H	H2	K	L	O1	O2	S	W
BW 226 DH-4	3355	2440	1700	2300	3072	430	6582	155	155	40	2130

Shipping dimensions in m3

BW 226 DH-4

without ROPS

36,938

with ROPS

49,337

Machine type	Compaction output (m3/h)			
	Rock fill	Gravel, sand	Mixed soil	Silt, clay
BW 226 DH-4	1180-2120	880-1750	680-1200	350-700

Machine type	Compacted layer thickness (m)			
	Rock fill	Gravel, sand	Mixed soil	Silt, clay
BW 226 DH-4	2,00	1,50	1,00	0,50

Technical Data

BOMAG BW 226 DH-4

Weights

Grossweight	kg	27.100
Operating weight CECE w. ROPS-cabin	kg	25.210
Axle load, drum CECE	kg	17.040
Axle load, wheels CECE	kg	8.170
Static linear load CECE	kg/cm	80,0

Dimensions

Working width	mm	2.130
Width (wheels)	mm	2.370
Track radius, inner	mm	3.950

Driving Characteristics

Speed	km/h	0- 10,0
Max. gradeability without/with vibr.	%	48/45

Drive

Engine manufacturer		Deutz
Type		TCD 2012 L06
Emission stage		Stage IIIa / TIER3
Cooling		water
Number of cylinders		6
Performance ISO 3046	kW	150,0
Performance SAE J 1995	hp	201,0
Speed	min-1	2.200
Fuel		Diesel
Electric equipment	V	12
Drive system		hydrost.
Drum driven		standard

Drums and Tyres

Tyre size		23.5-25/16PR
-----------------	--	--------------

Brakes

Service brake		hydrost.
Parking brake		hydromec.

Steering

Steering system		oscil.artic.
Steering method		hydrost.
Steering / oscillating angle +/-	grad	35/12

Exciter system

Drive system		hydrost.
Frequency	Hz	26/26
Amplitude	mm	1,90/1,00
Centrifugal force	kN	330/173
Centrifugal force	t	33,7/17,6

Capacities

Fuel	l	340,0
------------	---	-------

Technical modifications reserved. Machines may be shown with options.

Standard Equipment

- BOMAG ECOMODE
- Anti Slip Control (ASC)
- Warning, information and operation displays with LCD
- Hydrostatic travel and vibration drive
- Hydrostatic articulated steering
- Articulated joint lock
- Rear axle with twin spring accumulator brakes
- Self locking differential
- Warning horn
- Single lever control for travel and vibration
- Shock-mounted swivel seat, adjustable in height and length
- Contact scrapers (Plastic)
- Emergency STOP
- Noise insulation
- Back-up warning system

Optional Equipment

- Cabin with air conditioning
- Evib compaction meter
- Working lights

