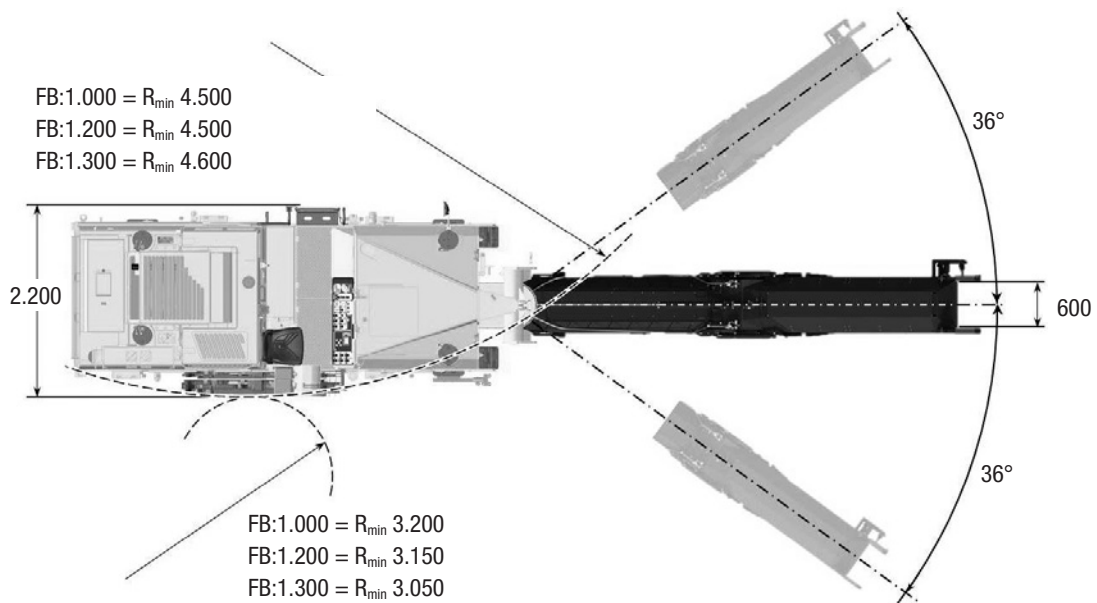
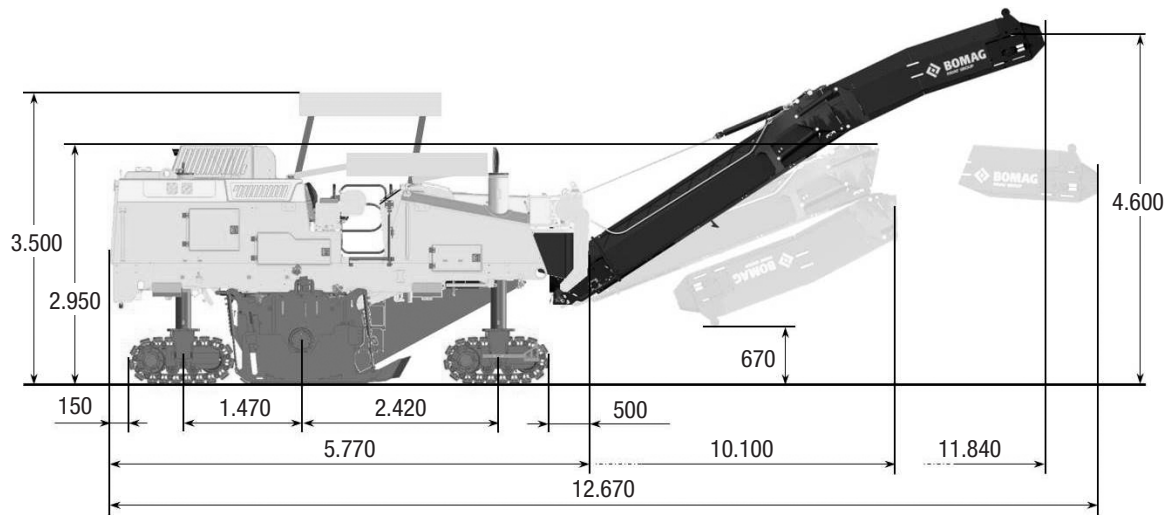


# TECHNICAL DATA

COLD PLANER

BM 1000/30, BM 1200/30, BM 1300/30 TIER 3





#### BM 1000/30

calculated for asphalt of average hardness	4	8	12	16	24	32
Rate of advance V (m/min)	18 - 24	12 - 16	9 - 12	6,5 - 9	3,5 - 5	2 - 3
Area output Ft (m <sup>2</sup> /h) (Theoretical)	1100 - 1450	700 - 1000	550 - 700	400 - 550	200 - 300	120 - 200
Milling volume Qt (m <sup>3</sup> /h) (Theoretical)	44 - 58	56 - 80	66 - 84	64 - 88	48 - 72	39 - 64

#### BM 1200/30

calculated for asphalt of average hardness	4	8	12	16	24	32
Rate of advance V (m/min)	15 - 20	10 - 13	7 - 10	5,5 - 7,5	2,5 - 4,5	1,5 - 3
Area output Ft (m <sup>2</sup> /h) (Theoretical)	1080 - 1440	720 - 936	504 - 720	396 - 540	180 - 324	108 - 216
Milling volume Qt (m <sup>3</sup> /h) (Theoretical)	43 - 57	57 - 75	60 - 86	63 - 86	43 - 77	34 - 69

#### BM 1300/30

calculated for asphalt of average hardness	4	8	12	16	24	32
Rate of advance V (m/min)	13 - 19	9 - 12	7 - 9	5 - 7	2,5 - 4	1 - 2,5
Area output Ft (m <sup>2</sup> /h) (Theoretical)	1000 - 1450	700 - 950	550 - 700	400 - 550	200 - 300	80 - 200
Milling volume Qt (m <sup>3</sup> /h) (Theoretical)	42 - 58	56 - 76	66 - 84	64 - 88	48 - 72	26 - 64

The following factors greatly influence performance when the equipment is employed practically: Different milling material, waiting for lorries, traffic hold-ups, road installations such as manhole covers, hydrants, etc.

## Technical Data

### Milling Drum

Milling width max .....	mm	1.000	1.200	1.300
Milling depth .....	mm	0 – 320	0 – 320	0 – 320
Milling line space .....	mm	15	15	15
Cutting diameter .....	mm	980	980	980
No. of Tools .....		99	115	121
Milling Drum Speed .....	min <sup>-1</sup>	111	111	111

### Drive

Engine Manufacturer .....		CAT	CAT	CAT
Type .....		C7.1 ACERT	C7.1 ACERT	C7.1 ACERT
Emission standards .....		3 / 3a	3 / 3a1	3 / 3a
Cooling .....		Liquid cooled	Liquid cooled	Liquid cooled
No. of cylinders / Displacement .....	cm <sup>3</sup>	6 / 7.000	6 / 7.000	6 / 7.000
Power .....	kW / PS	205 / 280	205 / 280	205 / 280
Engine Speed .....	U/min	2.200	2.200	2.200
Peak Torque .....	Nm	1.050	1.050	1.050
Consumption at max. Torque .....	g/kWh	212	212	212
Consumption at rated Power .....	g/kWh	231	231	231
Consumption at Job-mix .....	l/h	26	26	26
Generator .....	V	24	24	24
Battery .....	V / Ah	2 x 12 / 132	2 x 12 / 132	2 x 12 / 132

### Driving Characteristics

Transport-speed .....	km/h	0 – 6	0 – 6	0 – 6
Operating-speed .....	m/min	0 – 28	0 – 28	0 – 28
Crawler size L x W x H .....	mm	1.275 x 268 x 570	1.275 x 268 x 570	1.275 x 268 x 570

### Capacities

Fuel .....	l	450	450	450
Water .....	l	1.250	1.250	1.250
Hydraulic .....	l	130	130	130

### Loading-system

Conveyor width, inside / outside .....	mm	600 / 600	600 / 600	600 / 600
Theoretical capacity .....	m <sup>3</sup> /h	170	170	170
Discharge height .....	mm	4.600	4.600	4.600

### Weights

Max. Operating weight (incl. Options) .....	kg	19.700	20.050	20.250
Operating weight CE .....	kg	18.850	19.200	19.400
Basic weight .....	kg	18.380	18.730	18.930

### Additional weights for Options

Weather protection roof .....	kg	150	150	150
Fine-milling-drum LA8 .....	kg	300	300	300

Technical modifications reserved. Machines may be shown with options.

## BOMAG BM 1000/30

## BOMAG BM 1200/30

## BOMAG BM 1300/30

## Standard

### Milling technology

- Milling Drum LA15
- BOMAG BMS 15 exchangeable toolholder
- Proportional adjustable water injection
- Levelling, 2 sides + slope
- Hydraulically operated side-plates
- Hydraulically operated front mouldboard
- Rear mouldboard with adjustable pre-load-pressure
- Automatic load-control
- Automatic distribution of traction
- Hydraulically foldable Conveyor

### Drive Systems

- 4-Crawlers
- 4 crawler steerable, front or/and rear
- Crabwalk
- Automatic distribution of traction
- Variable transport speed
- Variable operating speed
- Mechanical Drum-drive

### Operation comfort

- Comfort-workstation for sitting operation
- Ergonomic side-shifting of operator seat
- Self-explanatory, well-arranged dashboards
- Ground control panels
- Service- and maintenance-points ergonomic concentrated

### Safety & environmental protection

- Liquid cooled engine following latest emission rules
- SCR-Cat with Add-blue
- Whisper-package for noise elimination
- Variable placeable working-lights
- Rotary-beacon
- Mirrors

- Safety-package with emergency-stop-switches
- Back-up-alarm
- Vandalism protection

## Optional

### Basic machine

- Weather protection roof
- Water filling pump
- High pressure cleaner
- compressed air system
- Road lights
- Special colour
- Biodegradable hydraulic oil

### Milling technology

- Milling-Drum 1000, BMS15, LA15
- Milling-Drum 1200, BMS15, LA15
- Milling-Drum 1300, BMS15, LA15
- Fine-Milling-Drum 1000, BMS15, LA8
- Fine-Milling-Drum 1200, BMS15, LA8
- Fine-Milling-Drum 1300, BMS15, LA8
- POWER DRUM 1000, BMS15, LA22
- POWER DRUM 1200, BMS15, LA22
- POWER DRUM 1300, BMS15, LA22

### Levelling Systems and electronic support

- BOMAG TELEMATIC

