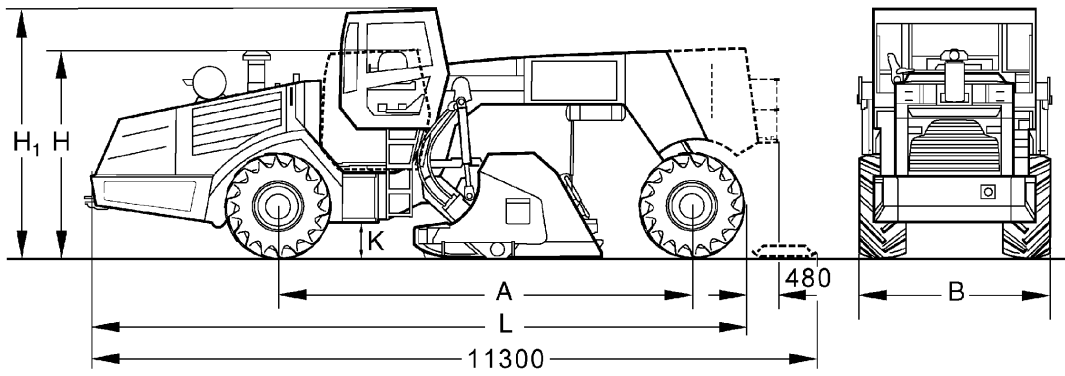


TECHNICAL DATA

STABILIZERS/ RECYCLERS

RS 600





Dimensions in mm

	A	B	H	H1	K	L
RS 600	6243	2850	3100	3700	530	9925

Shipping dimensions in m3

RS 600	87,687
---------------	--------

Technical Data

BOMAG RS 600

Weights

Operating weight CECE	kg	27.900
Axle load, front CECE	kg	17.625
Axle load, rear CECE	kg	10.275
Max. weight	kg	32.300

Driving Characteristics

Speed (1)	km/h	0- 3,0
Speed (2)	km/h	0- 12,0
Max. gradeability (dep. on soil con.)	%	40

Drive

Engine manufacturer		Deutz
Type		TCD 2015 V08
Emission stage		Stage IIIa / TIER3
Cooling		Liquid
Number of cylinders		8
Performance ISO 9249	kW	440,0
Performance SAE J 1995	hp	590,0
Speed	min-1	1.900
Electric equipment	V	24
Drive system		hydrost.
Driven wheels		all wheel

Tyres

Tyre size, front	28L-26 26PR
Tyre size, rear	28L-26 26PR

Brakes

Service brake	hydrost.
Parking brake	multi disc

Steering

Steering system	Art. + rear
Steering method	hydraulic

Rotor

Rotor width	mm	2.400
Rotor diameter, outer	mm	1.416
Rotor speed	min-1	104- 140
Rotor oscillation angle +/-	grad	5
Sense of rotation		up-cut
Max. cutting depth	mm	600
Number of cutting teeth		170
Height of cutting teeth	mm	290

Capacities

Fuel	l	1.075,0
------------	---	---------

Technical modifications reserved. Machines may be shown with options.

Standard Equipment

- Hydrostatic drive / all wheel
- Hydr./ mech. rotor drive with autom. power control
- Hydr. adjustable rotor inclination, automatic
- BOMAG FLEXMIX Technology
- Universal rotor with exchange holder BMS15
- Hydr. tailgate with floating position+Load application function
- Hydrostatic articulated steering
- Hydrostatic rear axle steering
- 4 Steering modes
- Height adjustable ROPS cab
 - Transport/working position
 - slewable/slidable multi-function work place
 - heating
 - Air condition
 - Radio
- LED Working head lights
- Rotary beacon
- Camera system
- Air compressor + Connecting port for compressed air tools
- Lockable stowage compartments
- Central lubrication system
- Rotary unit for rotor forward/reverse
- Pneumatic hammer for changing cutting tools
- Compressed air set

Optional Equipment

- Water metering system (800l + 1600l)
- Water prefilter
- Emulsion metering system
- Emulsion pre-filter for water system
- Foam bitumen metering system (also for emulsion)
- Printer for metering computer
- Job data printer
- Universal rotor 2600 mm - 22mm BRS05
- Universal rotor 2600 mm - 22mm BMS15
- Universal rotor 2600 mm - 20mm BMS15
- Rotor CMI-Layout 22mm
- Quick-change holder 20mm BMS15
- Rotor CMI-Layout 20mm
- Universal rotor 22mm BRS05
- Universal rotor 20mm BRS05
- Quick refuelling system
- Tractor tires (Recycler)
- EM Tyres
- Tool kit
- Special painting
- TELEMATIC POWER
- Biodegradable hydraulic oil

