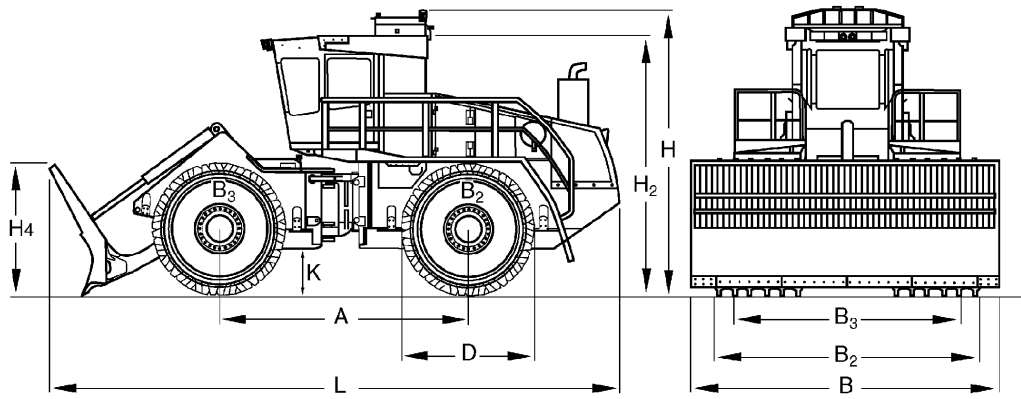


TECHNICAL DATA

REFUSE COMPACTOR

BC 972 RB-2, BC 1172 RB-2





Dimensions in mm

	A	B	B2	B3	D	H	H2	H4	K	L
BC 972 RB-2	4100	5200	4500	4260	2200	4845	4400	2225	765	9425
BC 1172 RB-2	4100	5200	4500	4260	2200	4845	4400	2225	765	9425

Shipping dimensions in m3

BC 972 RB-2	215,644
BC 1172 RB-2	215,644

Technical Data**BOMAG
BC 972 RB-2****BOMAG
BC 1172 RB-2****Weights**

Grossweight	kg	47.300	55.300
Operating weight CECE	kg	46.500	54.500
Axle load, front / rear CECE	kg	22.850/23.650	26.850/27.650

Dimensions

Rear overhang	mm		
---------------------	----	--	--

Driving Characteristics

Speed (1), forward	km/h	0- 3,0	0- 3,0
Speed (1), reverse	km/h	0- 3,0	0- 3,0
Speed (2), forward	km/h	0- 5,0	0- 5,0
Speed (2), reverse	km/h	0- 5,0	0- 5,0
Speed (3), forward	km/h	0- 12,0	0- 12,0
Speed (3), reverse	km/h	0- 12,0	0- 12,0
Max. gradeability (dep. on soil con.)	%	100	100
Max. pushing force	kN	502	588

Drive

Engine manufacturer		Deutz	Deutz
Type		TCD 2015 V08	TCD 2015 V08
Emission stage		Stage IIIa / TIER3	Stage IIIa / TIER3
Cooling		Liquid	Liquid
Number of cylinders		8	8
Performance ISO 9249	kW	440,0	440,0
Performance SAE J 1349	hp	590,0	590,0
Speed	min-1	1.900	1.900
Travel system		hydrost.	hydrost.
Operating voltage	V	24	24

Compaction Wheels

Width, front	mm	1.400	1.400
Width, rear	mm	1.400	1.400
Outer diameter (front)	mm	2.200	2.200
Outer diameter (rear)	mm	2.200	2.200
Number of teeth/cutters, front		72	72
Number of teeth/cutters, rear		72	72
Compaction coverage per side	mm	1.520	1.520

Brakes

Service brake		hydrost.	hydrost.
Parking brake		hydromec.	hydromec.

Steering

Steering system		oscil.artic.	oscil.artic.
Steering method		hydraulic	hydraulic
Track radius, inner	mm	3.050	3.050
Steering / oscillating angle +/-	grad	40/15	40/15

Dozer Blade

Height adjustment over ground level	mm	1.375	1.375
Height adjustment below ground level	mm	50	50
Dozer blade capacity acc. to SAE J 1265	m3	15,8	15,8

Capacities

Fuel	l	1.000,0	1.000,0
Engine oil	l	47,0	47,0
Hydraulic oil	l	590,0	590,0

Technical modifications reserved. Machines may be shown with options.

Standard Equipment

Optional Equipment

- Polygonal compaction wheels, welded forged teeth
- Blade (5200mm)
- Premium compaction wheels with highly wear resistant teeth
- Pre start cabin heating
- Fire extinguisher
- Special painting
- Environmentally compliant hydraulic oil
- Protective ventilation system (Pre-installation)
- Lockable hood lock (anti-theft protection)
- Tool kit
- Semi-U-Blade 5250mm
- Automatic heating - air conditioning
- TELEMATIC POWER

