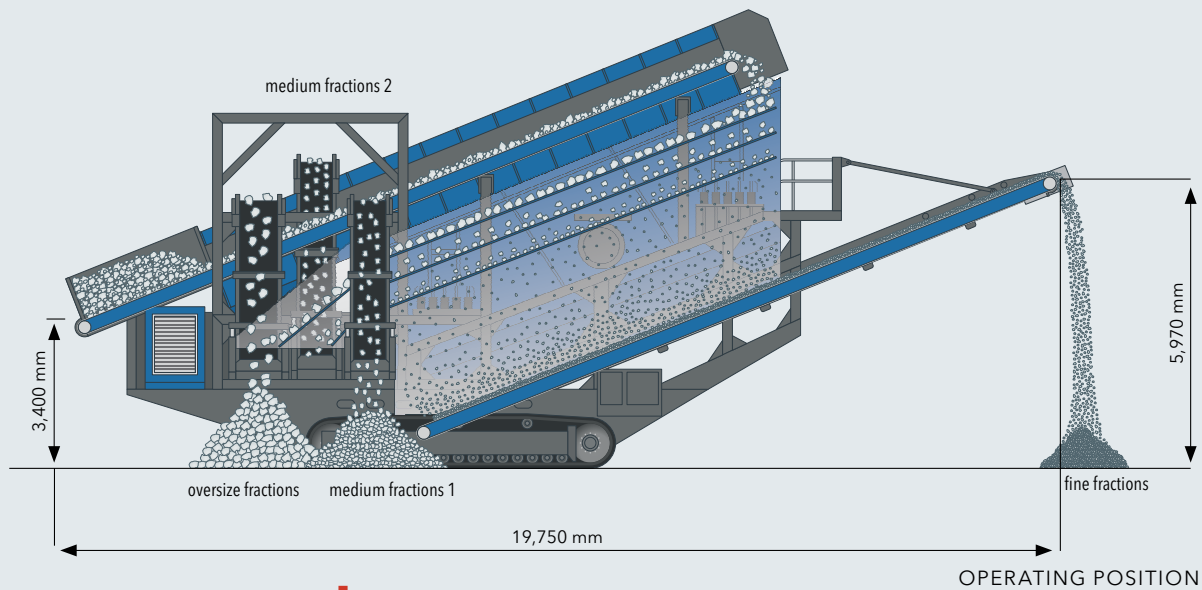




TECHNICAL SPECIFICATIONS | TRACK-MOUNTED SCREENING PLANT

# MOBISCREEN MS 23 D





## TECHNICAL HIGHLIGHTS

- ▣ Triple-deck screening unit
- ▣ Diesel-electric drive
- ▣ Classifying screen for four final products
- ▣ Max. feed size: 200 mm

## TECHNICAL SPECIFICATIONS MS 23 D

<b>Feeding unit</b>		<b>Middle deck overflow discharge conveyor (medium fractions 2)</b>	
Feed capacity up to approx. (t/h)	800	Width x length (mm)	800 x 10,000
Feed size max. (mm)	200	Discharge height approx. (mm)	4,390
Feed height (mm)	3,400	<b>Belt conveyor oversize grain</b>	
<b>Belt conveyor feeder</b>		Width x length (mm)	1,000 x 3,800
Width x length (mm)	1,800 x 14,000	<b>Top deck overflow discharge conveyor (oversize fractions)</b>	
<b>Screening unit</b>		Width x length (mm)	1,000 x 10,000
Type	triple-deck vibration screen	Discharge height approx. (mm)	4,390
Width x length (mm)	2,300 x 8,000	<b>Drive</b>	
<b>Bottom deck underflow discharge conveyor (fine fractions)</b>		Drive concept	diesel-electric
Width x length (mm)	1,800 x 14,000	Powerpack Scania (Tier 3 / Stage IIIA) (kW)	226
Discharge height approx. (mm)	5,970	Generator (kVA)	250
<b>Belt conveyor screen overflow (bottom deck)</b>		<b>Weight</b>	
Width x length (mm)	800 x 3,800	Operating weight approx. (kg)	85,000
<b>Bottom deck overflow discharge conveyor (medium fractions 1)</b>		Machine dismantled for transport	
Width x length (mm)	800 x 10,000		
Discharge height approx. (mm)	4,390		
<b>Belt conveyor screen overflow (middle deck)</b>			
Width x length (mm)	800 x 3,800		