

Compact front loader for a wide variety of milling jobs.

Cold Milling Machine

W 100 CF | W 100 CFi | W 120 CF | W 120 CFi | W 130 CF | W 130 CFi



Compact front loader for

a wide variety of milling jobs.





THE FRONT LOADER IN THE ONE-METRE CLASS IMPRESSES WITH HIGH PERFORMANCE AND FLEXIBILITY AT A WORKING WIDTH OF 1.0 M, 1.2 M OR 1.3 M.

FEATURING COMPACT DIMENSIONS AND AN OPTIMIZED MACHINE WEIGHT, THE COLD MILLING MACHINE IS THE PRIME CANDIDATE FOR A WIDE VARIETY OF MILLING APPLICATIONS.

THE MILLING DRUM UNIT IS ARRANGED AT THE REAR RIGHT, ENABLING THE MACHINE TO APPROACH OBSTACLES WITH THE REAR OF THE MACHINE, FOR EXAMPLE, WHEN MILLING TIE-INS.

FLEXIBLE ADJUSTMENT OF THE EXTRA-LARGE SLEWING ANGLE AND SPEED OF THE FRONT-LOADING CONVEYOR ENSURES EFFICIENT MATERIAL LOADING.

THE STATE-OF-THE-ART MACHINE MANAGEMENT SYSTEM, LEVEL PRO PLUS LEVELLING SYSTEM AND INTUITIVE OPERATING CONCEPT ENABLE EFFICIENT ONE-MAN OPERATION.

At a glance: outstanding features of the cold milling machine

04
05

1 | HIGH-PRECISION, INTUITIVE LEVELLING WITH LEVEL PRO *PLUS*

- > Easy, intuitive operation
- > Fully integrated into the machine management system
- > Many new complementary and automated features
- > Milling depth measurement via displacement sensors integrated in the hydraulic side plate cylinders

2 | EFFICIENT MULTIFUNCTIONAL ARMREST

- > Ergonomically designed multifunctional armrest with colour control screen
- > Additional machine height adjustment feature included in the multifunctional armrest
- > Scraper position is displayed on the control screen
- > Job data are displayed on the control screen
- > User-programmable "Favourites" keys

3 | UNMATCHED VISIBILITY CONCEPT

- > Reduced machine frame width on the right for optimized forward visibility
- > Side-moving operator's platform for significantly improved visibility
- > High-quality camera system providing a direct view of important work processes

4 | ERGONOMIC DESIGN AND COMFORT ON THE OPERATOR'S PLATFORM

- > Ergonomically designed comfort operator's seat including seat heating
- > Convenient access including "Welcome" and "Go home" lights feature
- > Wind and weather protection features on the operator's platform

5 | QUICK PIVOTING OF THE RIGHT-HAND REAR WHEEL OR TRACK UNIT

- > Quick, automatic pivoting of the right-hand rear wheel or track unit without lowering the milling drum to the ground
- > Heavy-duty friction bearing
- > Additional third wheel or track position for easy and precise positioning of the machine next to an existing milling cut on the right

6 | QUICK AND PRECISE MANOEUVRRING

- > Large steering angle for small turning radii
- > Automatic self-steering feature of the right-hand rear wheel or track unit
- > Highly precise steering via the fingertip steering feature integrated in the multifunctional armrest
- > Additional height adjustment in increments of 1 mm or 5 mm
- > "Stop-and-go" feature for the truck driver



9 |

HIGH ENGINE POWER FOR TREMENDOUS PRODUCTIVITY

- > Engine models complying with EU Stage 3a/US Tier 3 or the stringent EU Stage 4/US Tier 4f emission standards
- > Tremendous engine power with high maximum torque
- > Battery-operated hydraulic power pack with complementary features
- > Three different milling drum speed options
- > Automatically controlled water spray system at the milling drum unit

10 |

HIGH TRACTION AND OPTIMIZED WEIGHT

- > Automated initiation of the milling process including relief sensors
- > Automated WIDRIVE features significantly reduce operator interventions to allow one-man operation
- > Transport made easy by compact dimensions and low weight

8 |

7 |

HIGH MILLING PERFORMANCE ON EVERY JOB

- > Milling drum turning device and hydraulic pick extractor for quick pick replacement
- > Hydraulically lifting side plates with proactive floating feature causing the side plates to be raised automatically in loose ground
- > Automatic raising of scraper by means of an overload sensor
- > Extremely hard-wearing HT22 quick-change toolholder system as a standard feature
- > Complete FCS package option including easily exchangeable milling drums

8 |

HIGH PERFORMANCE AND FLEXIBILITY IN MATERIAL LOADING

- > Wide conveyor slewing angles of 60° to the left and right
- > Two conveyor slewing speeds for precise loading of the milled material
- > VCS extraction system with optimized suction channel for minimum cleaning effort
- > Hydraulic folding conveyor for quick folding during operation on site
- > Quick-release coupling for easy mounting and removal of the discharge conveyor

Highlights

in operation





PUTTING THE FOCUS ON ERGONOMICS

BE RELAXED AT WORK IN AN ERGONOMICALLY OPTIMIZED ENVIRONMENT. AND KEEP EVERYTHING IN FULL VIEW AT THE SAME TIME. A GIVEN WITH THE COMPACT MILLING MACHINE. CONTROLS ARRANGED WITH INTUITIVE OPERATION AND ERGONOMIC PRINCIPLES IN MIND. PROVIDING THE OPERATOR WITH ALL RELEVANT INFORMATION AT A SINGLE GLANCE. INNOVATIVE COMPUTER-ASSISTED SYSTEMS PUT THE OPERATOR'S COMMANDS INTO PRECISE ACTION. EASE OF OPERATION AND HIGH PRODUCTIVITY BECOME ONE.

High-precision, intuitive levelling with LEVEL PRO PLUS

In cold milling operations, it is crucial to remove the pavement layers to the specified depth. The intuitive WIRTGEN LEVEL PRO PLUS levelling technology can be relied on to precisely maintain the specified milling depth.

EASY, INTUITIVE OPERATION

The LEVEL PRO PLUS levelling system developed specifically for cold milling machines offers free menu configuration and intuitive one-hand operation via a rotary control. Highly precise milling results are one of the hallmarks of the LEVEL PRO PLUS system.

FULLY INTEGRATED

Full integration of LEVEL PRO PLUS into the machine management system ensures a high level of automation.

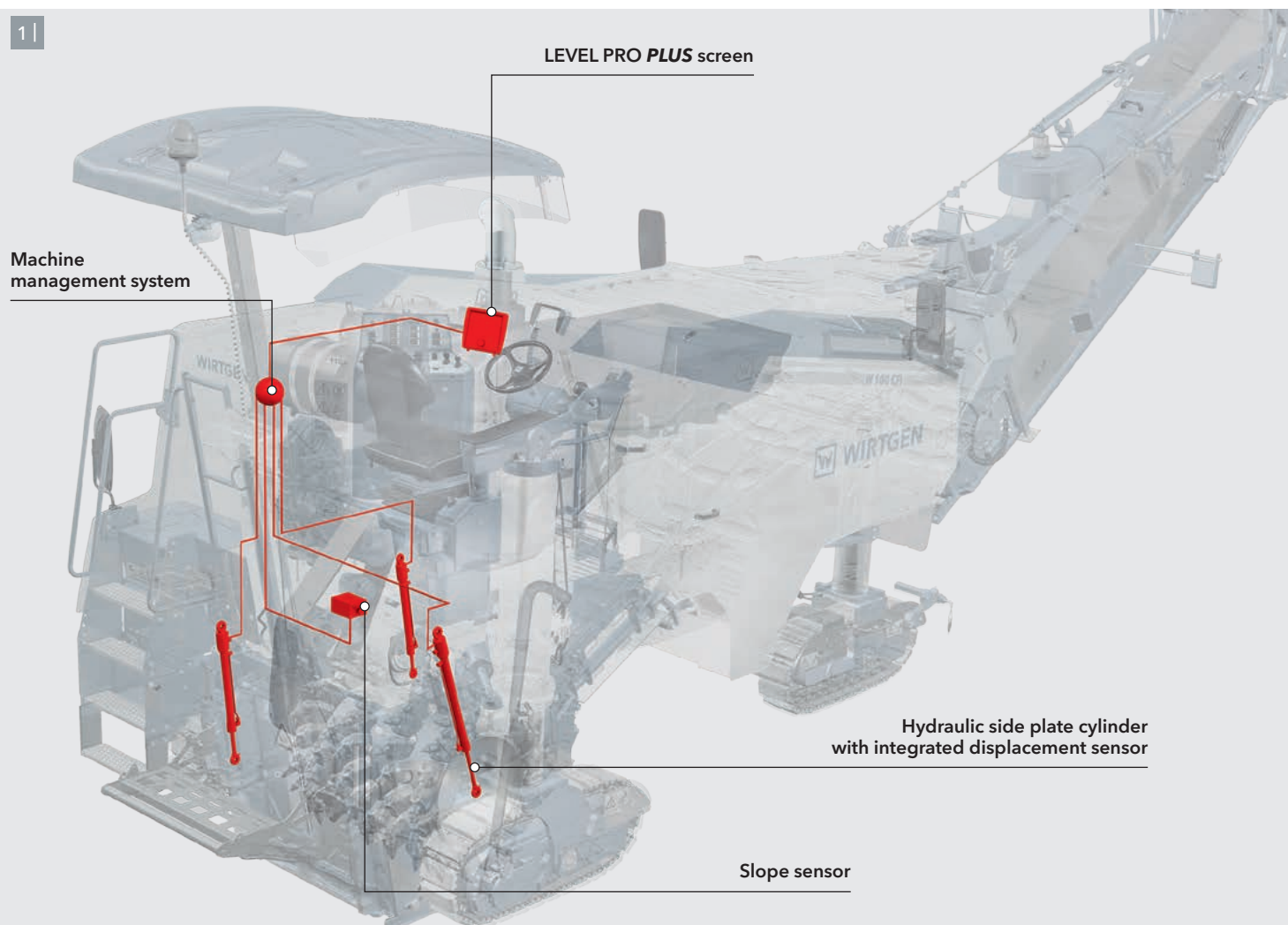
COMPLEMENTARY AND AUTOMATED FEATURES

The LEVEL PRO PLUS levelling system offers numerous complementary and automated features which relieve the operator of a part of his workload. This also speeds up the progress of operations.

DISPLACEMENT SENSORS

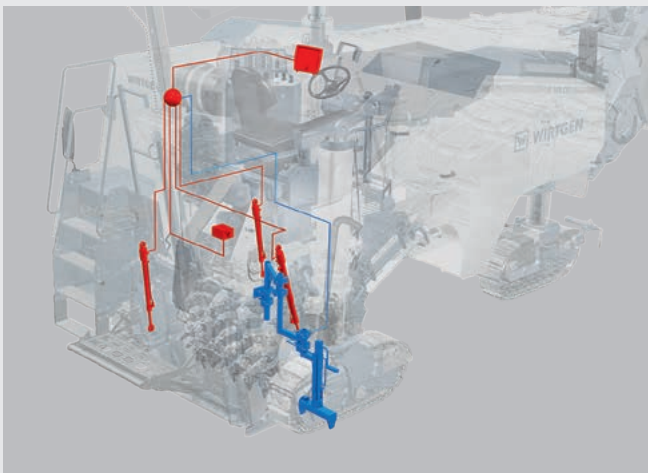
The reference line is scanned by high-precision displacement sensors integrated in the hydraulic side plate cylinders and then displayed on the high-resolution LEVEL PRO PLUS control screen.

1 |

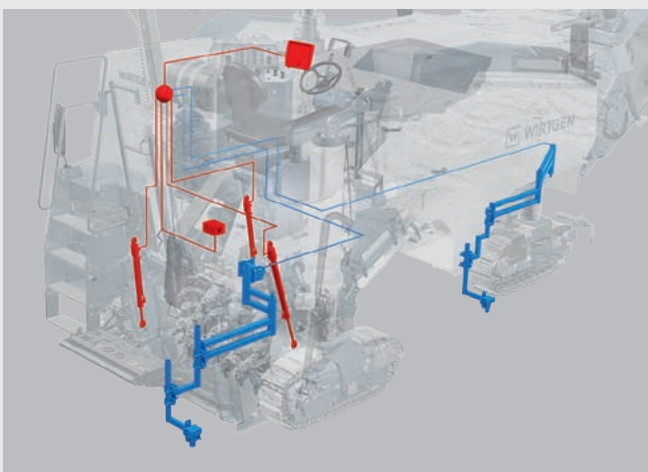


1 | The levelling system can be operated with a wide variety of different sensors.

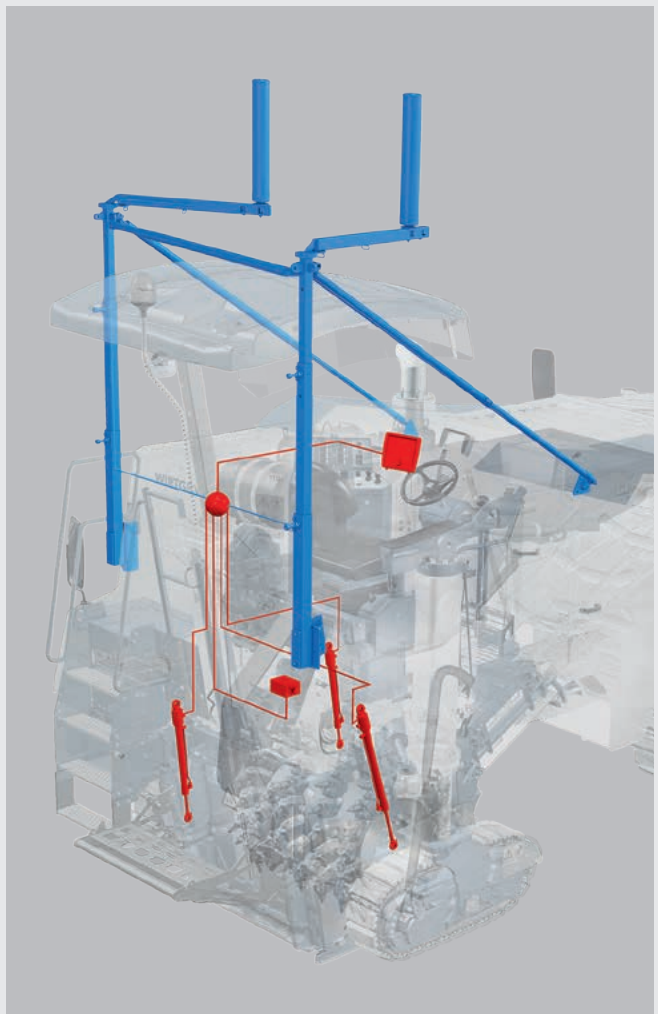
2 | LEVEL PRO PLUS is synonymous with perfect levelling quality at high operating speeds.



Sonic ski sensor



Multiplex system with up to four ultrasonic sensors



3D levelling / laser levelling

Efficient multifunctional armrest

10
11

The compact milling machine is equipped with an efficient multifunctional armrest which not only speeds up processes and improves results: even more importantly, operators derive greater satisfaction from their work.

ERGONOMICALLY DESIGNED MULTIFUNCTIONAL ARMREST

The multifunctional armrest can be adjusted to meet the operator's personal preferences and combines innovative design with perfect user-friendliness. Important information is displayed on the colour control screen. In addition, the multifunctional armrest is fully integrated into the standardized operating concept of the entire fleet of WIRTGEN cold milling machines and allows productive operation right from the start.

ADDITIONAL HEIGHT ADJUSTMENT FEATURE

Hydraulic proportional height adjustment of the ma-

chine, which includes a milling depth memory feature, is effected conveniently via the multifunctional armrest.

SCRAPER POSITION

The scraper position is detected by means of a displacement sensor and then displayed on the control screen.

JOB DATA

Information such as the weight and volume of the milled material, size of the milled areas, or number of trucks loaded can be displayed automatically. These job data enable the logging of daily production rates.

"FAVOURITES" KEYS

Four "Favourites" keys can be programmed with twenty different functions according to the operator's personal preferences.

11



1 | The operator needs one hand only to be in full control.

2 | The ergonomically designed operator's platform with multifunctional armrest boosts machine productivity.



Unmatched visibility concept

1 | *The camera system zeroes in on important work areas, thus achieving an increase in performance and quality.*

2 | *The operator's platform offers a good view of the area ahead of the milling drum unit.*

Good visibility is of vital importance for safe operation and fast-paced processes.

The compact milling machine impresses with an unrivalled visibility concept.

FORWARD VIEW

The slender machine frame design provides an unobstructed view towards the front and of the milling edge.

It also guarantees a good view of the area right in front of the milling drum unit.

SIDE-MOVING OPERATOR'S PLATFORM

The operator's platform can be moved outwards by 200 mm hydraulically, thus enabling an optimum view of the area ahead of the milling drum unit and of the right-hand front wheel or track unit.

HIGH-QUALITY CAMERA SYSTEM

The camera system comprises two or three cameras plus a hard-wearing screen. The screen displays high-resolution images of the loading situation, the right-hand side plate and the area at the rear of the machine.



Ergonomic design and comfort on the operator's platform

A generous array of equipment features, adjustment to personal preferences and features relieving the operator of a part of his workload are the major contributors towards a significant increase in operator comfort. This is reflected in high machine productivity in the field.

COMFORT OPERATOR'S SEAT

The ergonomically designed, swivelling comfort seat offers seat heating and promotes relaxed working. In addition, it provides the operator with a good view to the sides and to the rear of the machine.

"WELCOME" AND "GO HOME" LIGHTS FEATURE

The access ladder and operator's platform are fully illuminated when approaching or walking away from the machine. The operator's platform can be accessed quite easily from the rear of the machine.

WEATHER PROTECTION

Additional wind and weather protection features on the operator's platform offer protection from exposure to rain and wind.

The high standards of comfort enable non-tiring, productive operation.







Highlights in driving and steering

FEELING AT HOME IN NARROW SECTIONS

RESTRICTED SPACE CONDITIONS, FIXED OBSTACLES, ROAD FIXTURES - EVERYDAY ROUTINE ON THE MILLING SITE. GOOD TO BE PREPARED FOR JUST SUCH A SITUATION. THE COMPACT MILLING MACHINE SUPPORTS YOU WITH INTELLIGENT FEATURES HELPING YOU TO REACH THE GOAL WITHOUT DELAY. MORE MANOEUVRABILITY, MORE CONTROL, MORE SPEED. FOR MORE PRODUCTIVITY.

Quick pivoting of the right-hand rear wheel or track unit

16
17

When pivoted in front of the milling drum, the right-hand rear wheel or track unit allows precise milling along obstacles such as kerbs or walls.

AUTOMATIC PIVOTING FEATURE

The right-hand rear wheel or track unit can be pivoted in front of the milling drum hydraulically from the operator's platform to allow milling along kerbs or other obstacles - without having to lower the milling drum to the ground. The process is completed very quickly within a mere thirty seconds. As the milling drum is not in contact with the ground during the pivoting process, there is no risk of damage to the picks or the milled surface.

FIRM LOCKING

Safe and firm locking of the right-hand rear wheel or track unit to the machine frame when in end position minimizes wear and enhances accuracy.

HEAVY-DUTY FRICTION BEARING

The heavy-duty, wear-resistant friction bearing minimizes the amount of kinematic play, thus ensuring consistently precise milling results.

THIRD WHEEL OR TRACK POSITION

The wheel or track unit can be additionally adjusted to a third, innovative extended position. In this position, the operator not only has a good view of the right-hand side plate but is additionally able to quickly and precisely position the machine next to an adjacent milling cut on the right.



1 | The cold milling machine makes easy work of milling precisely along obstacles such as kerbs or walls.

2 | The right-hand rear wheel or track unit offers three fixed positions.

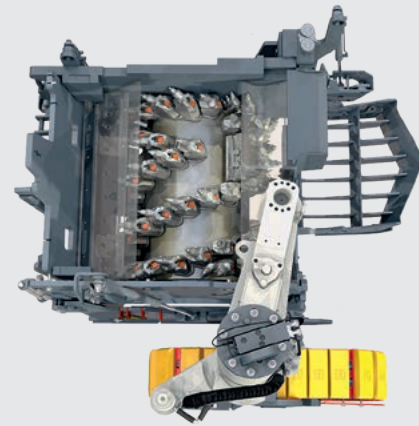
3 | When in extended position, the outside radius of the right-hand rear wheel or track unit is inside the cutting circle of the previously produced milling cut.

4 | This enables easy positioning of the machine next to the adjacent milling cut without producing any milling offset.

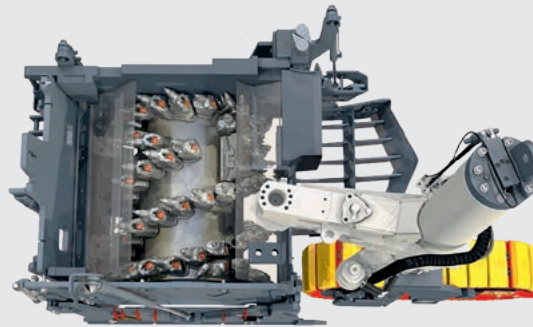
2 |



Wheel or track unit in neutral position.



Wheel or track unit in extended position.

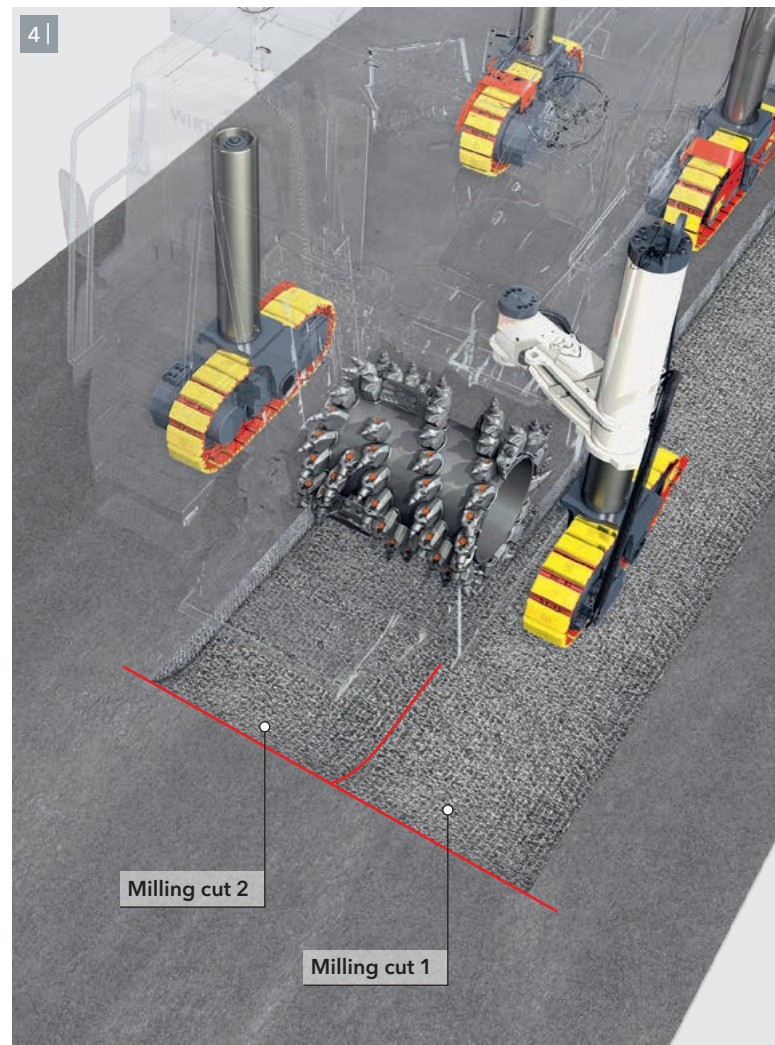


Wheel or track unit in pivoted-in position.

3 |



4 |



Quick and precise manoeuvring

18
19

Innovations in driving and steering boost efficiency in everyday operation on the construction site. The machine's compact design and excellent manoeuvrability enable it to be moved from one job location to the next in the shortest possible time.

LARGE STEERING ANGLES

Large steering angles to the left and right guarantee small turning radii to allow quick manoeuvring even in narrow passages.

AUTOMATIC SELF-STEERING FEATURE

The automatic self-steering feature of the right-hand rear track unit when pivoted in front of the drum not only gives the cold milling machine unrivalled manoeuvrability but also minimizes track pad wear.

FINGERTIP STEERING SYSTEM

The highly responsive hydraulic steering system enables the machine to be steered precisely and effortlessly also via the right-hand multifunctional armrest.

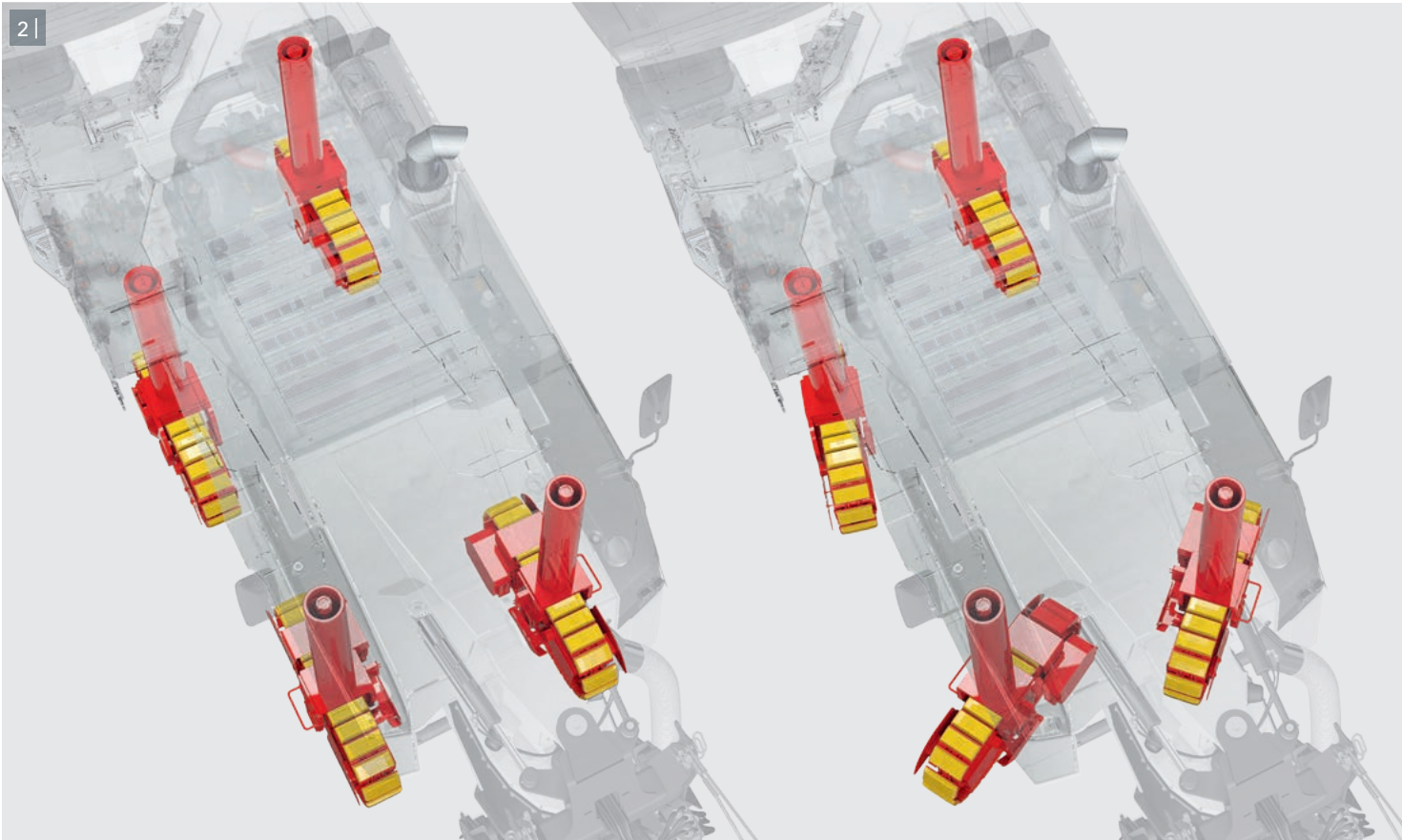
HEIGHT ADJUSTMENT IN INCREMENTS

A complementary feature on the left-hand control console enables precise adjustment of the milling depth in increments of 1 mm or 5 mm.

"STOP-AND-GO" FEATURE

The "stop-and-go" system folds out hydraulically and enables visual, silent communication with the truck driver driving in front.





1 | The machine's extremely large steering angles facilitate operation on construction sites offering limited space.

2 | Large steering angles at the front and the automatic self-steering feature of the right-hand rear track unit when pivoted in front of the drum ensure unrivalled manoeuvrability.

Highlights in milling and loading

THE MOST EFFECTIVE WAY OF MILLING

INNOVATIVE WIRTGEN CUTTING TECHNOLOGY. ENHANCED CONTINUOUSLY. FOCUSED ON A SINGLE GOAL: TO IMPROVE EFFICIENCY AND PERFORMANCE. THIS HOLDS TRUE ALSO FOR THE MILLING DRUM UNIT INSTALLED IN THE COMPACT COLD MILLING MACHINE. MANUFACTURED FROM HIGH-QUALITY MATERIALS, OPTIMIZED IN BOTH FUNCTIONALITY AND DESIGN. ROBUST, HARD-WEARING. DURABLE. MAKE SURE TO BENEFIT FROM THE MOST EFFECTIVE WAY OF MILLING.



High milling performance on every job

22
23

The milling drum unit offers a multitude of highly useful innovative features; maximum milling depths of up to 330 mm can be achieved.

QUICK REPLACEMENT OF PICKS

The hydraulically operated milling drum turning device and pick extractor make easy work of pick replacement even with the engine switched off.

HYDRAULICALLY LIFTING SIDE PLATES WITH PROACTIVE FLOATING FEATURE

Overload sensors installed at the side plates left and right cause the side plates to be raised briefly, for example, to prevent sinking in on soft ground. The durability of the side plates has additionally been improved by welded-in wear protection segments.

AUTOMATIC RAISING OF SCRAPER

Overload sensors protect the milling drum unit from damage: they cause the scraper blade to be raised briefly, for example, to avoid obstacles or ground irregularities.

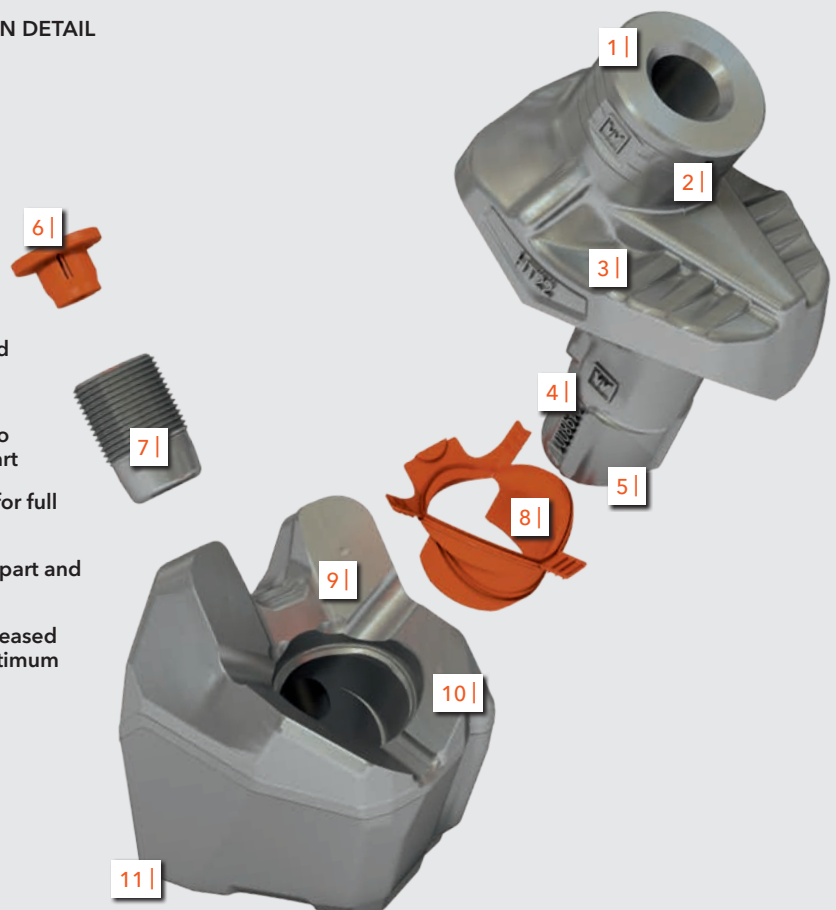
HT22 QUICK-CHANGE TOOLHOLDER SYSTEM

The extremely hard-wearing HT22 quick-change toolholder system (standard) minimizes breaks in operation and increases the lifespan of the entire milling drum.

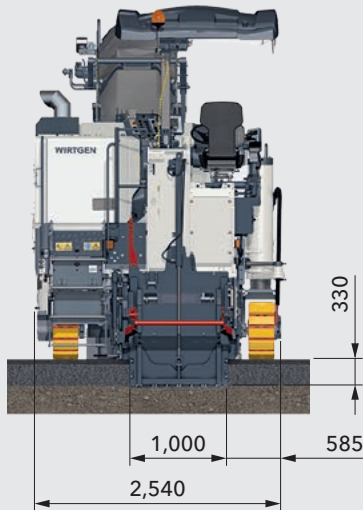


HT22 QUICK-CHANGE TOOLHOLDER SYSTEM IN DETAIL

- 1 | Extremely large maximum wear distance
- 2 | Wear markers at 5 mm intervals
- 3 | High wear volume
- 4 | Optimized shank angle geometry for high component strength
- 5 | Large shank cross-section for significantly higher shank fracture strength
- 6 | Protective plug prevents soiling of bolt head
- 7 | Heavy-duty retaining bolt
- 8 | Seal between upper part and bottom part to allow simple insertion/removal of upper part
- 9 | Upper part covers bottom part completely for full protection of bottom part
- 10 | Extra-large contact surface between upper part and bottom part for extended bottom part life
- 11 | Optimized welded connection offering increased strength and simultaneous flexibility for optimum pick rotation



Dimensions in mm:

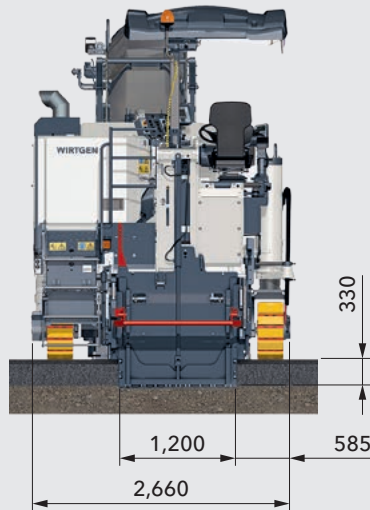


W 100 CF/W 100 CFi
with 1.0-m drum assembly



Standard milling drum

Milling width: 1,000 mm
Milling depth: 0-330 mm
Pick spacing: 15 mm

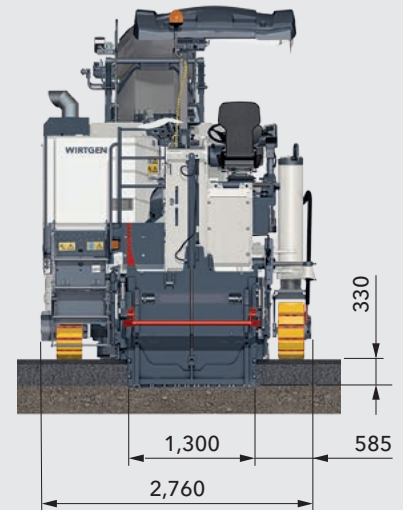


W 120 CF/W 120 CFi
with 1.2-m drum assembly



Standard milling drum

Milling width: 1,200 mm
Milling depth: 0-330 mm
Pick spacing: 15 mm



W 130 CF/W 130 CFi
with 1.3-m drum assembly



Standard milling drum

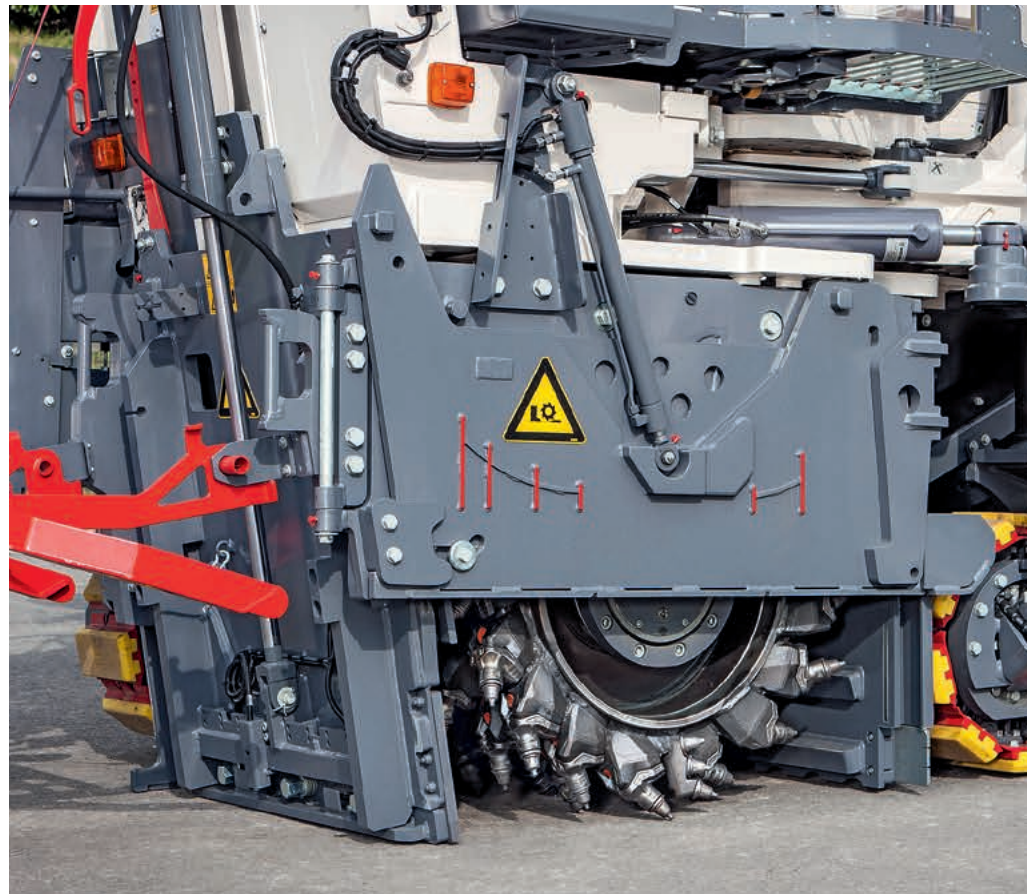
Milling width: 1,300 mm
Milling depth: 0-330 mm
Pick spacing: 15 mm

COMPLETE FCS PACKAGE

Different milling drums are available as a complete FCS package. The milling drums are exchanged quickly thanks to the side door on the right offering ready access. A mounting carriage is available to speed up the process.

SIDE PLATE LIFT OF 450 MM, RIGHT

The right-hand side plate can be raised by up to 450 mm to allow flush-to-kerb milling. This feature enables a kerb, for example, to be used as a level reference when working at large milling depths.



High performance and flexibility in material loading

24
25

Maximum performance and utmost flexibility are a must also when loading the milled material to ensure smooth completion of the milling process.

WIDE CONVEYOR SLEWING ANGLES

Wide conveyor slewing angles of 60° each to the left and right enable the milled material to be loaded even in difficult situations, for example, in road junctions or turning bays.

TWO CONVEYOR SLEWING SPEEDS

The discharge conveyor can be slewed slowly to ensure precise loading of the milled material or quickly, thus optimizing the entire milling process.

VCS EXTRACTION SYSTEM

VCS improves the air quality and visibility in the working environment of the machine operator and ground crew. In addition, the redesigned and optimized VCS suction channel reduces the cleaning effort.

HYDRAULIC FOLDING CONVEYOR

The hydraulic folding conveyor is folded quickly for easy transport and to allow adjustment to site conditions.

QUICK-RELEASE COUPLING

The innovative quick-release coupling ensures easy plugging of hydraulic connections when mounting or removing the discharge conveyor.

LARGE BELT WIDTH AND CLEAT HEIGHT

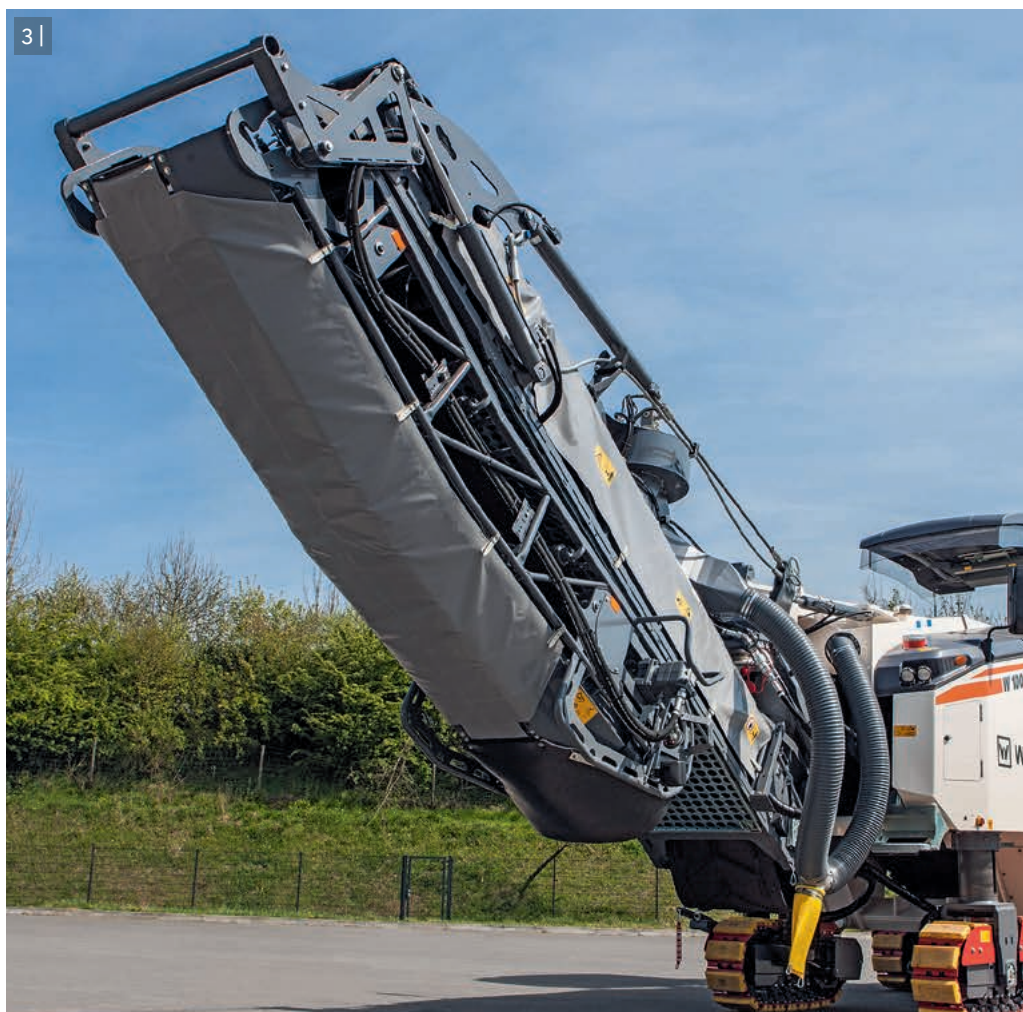
Large belt width and cleat height ensure high conveying capacity.



1 | Wide conveyor slewing angles to both sides offer flexibility in material loading.

2 | The quick-release coupling speeds up mounting and removal of the discharge conveyor.

3 | The folding conveyor reduces the machine's transport length.



Highlights in performance and productivity





PRODUCTIVE STRATEGY

NEEDLESS TO SAY THAT PERFORMANCE IS IMPORTANT. JUST AS IMPORTANT AS ECONOMIC EFFICIENCY. THIS IS WHY THE W 100 CF/W 100 CFi/W 120 CF/W 120 CFi/W 130 CF/W 130 CFi IS EQUIPPED WITH FIELD-PROVEN TECHNOLOGIES OFFERING EFFICIENT SOLUTIONS. EFFECT: SECOND-TO-NONE PRODUCTIVITY IN THE ONE-METRE CLASS. PLUS A CONVINCING ENVIRONMENTAL BALANCE SHEET. LOW EMISSION LEVELS PROTECT BOTH THE OPERATOR AND THE ENVIRONMENT. PRODUCTIVITY MADE TO MEASURE.

High engine power for tremendous productivity

The compact milling machine achieves up to 15% extra milling performance in comparison to the predecessor model. Its productivity is enhanced further by features tailored to field requirements.

TWO ENGINE MODELS

The engine technology installed in the W 100 CF/W 120 CF/W 130 CF complies with the exhaust emission standards of EU Stage 3a/US Tier 3. The W 100 CFi/W 120 CFi/W 130 CFi complies with the stringent specifications of exhaust emission standards EU Stage 4/US Tier 4f.

TREMENDOUS ENGINE POWER

The state-of-the-art diesel engine offers tremendous engine power at high maximum torque, guaranteeing fast operation and high production rates even at the maximum milling depth.

HYDRAULIC POWER PACK

The extended electro-hydraulic power pack caters to features such as the milling drum turning device, pick extraction with the engine switched off or emergency functions, thus increasing the machine's flexibility on site.

THREE DIFFERENT MILLING DRUM SPEED OPTIONS

Three different milling drum speeds enable tremendous milling performance in a wide range of applications.

AUTOMATIC INJECTION OF WATER

The amount of water injected to cool the picks increases automatically relative to the increase in engine load. Water consumption can also be directly adjusted electrically from the operator's platform.

11

EXHAUST GAS AFTER-TREATMENT FOR W 100 CFi, W 120 CFi, W 130 CFi

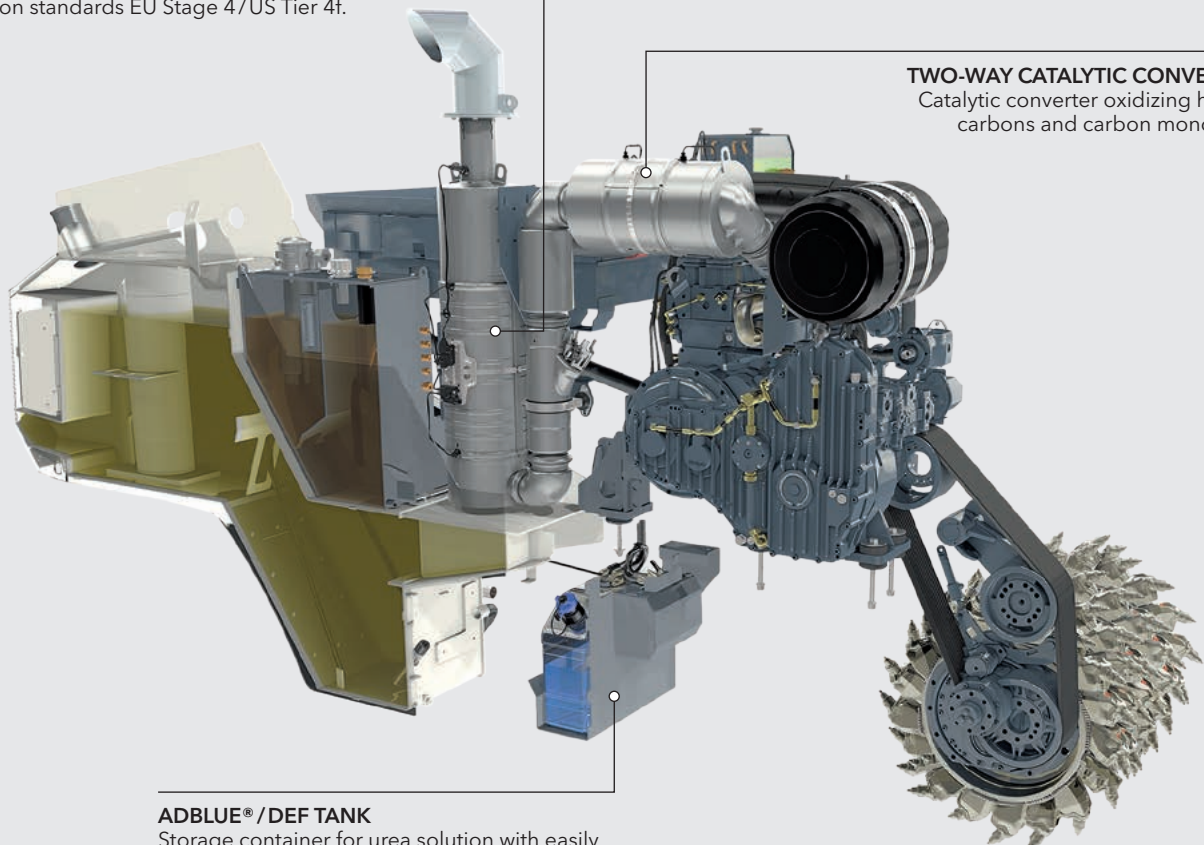
The diesel engine complies with the strict requirements of the currently highest exhaust emission standards EU Stage 4/US Tier 4f.

SCR CATALYTIC CONVERTER

SCR catalytic converter reducing nitrogen oxides by adding a special urea solution.

TWO-WAY CATALYTIC CONVERTER

Catalytic converter oxidizing hydrocarbons and carbon monoxide.



ADBLUE®/DEF TANK

Storage container for urea solution with easily accessible filling port.

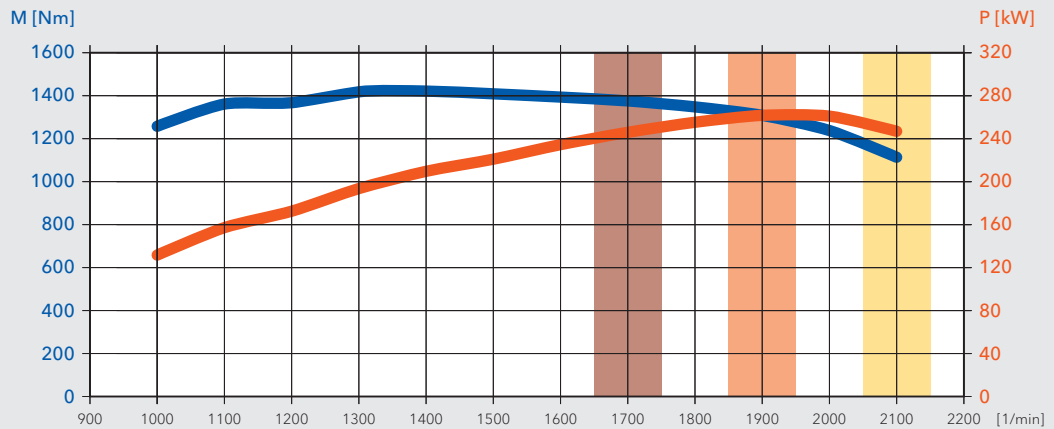
1 | The engine of the W 100 CFi, W 120 CFi and W 130 CFi is equipped with a two-way catalytic converter and an SCR catalytic converter to ensure effective exhaust gas purification.

2 | Ready access to machine components ensures ease of maintenance.

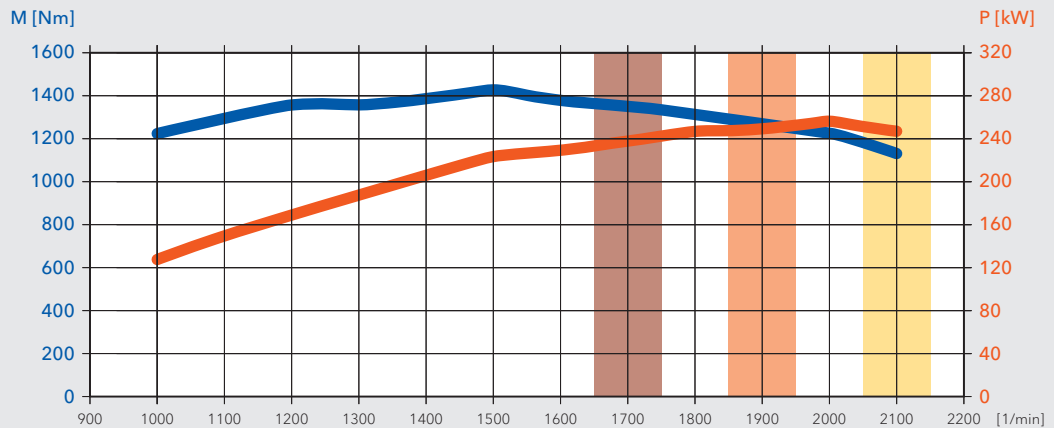
3 | The high increase in torque results in high milling performance.



3 | ENGINE CHARACTERISTICS W 100 CF/W 120 CF/W 130 CF (EU STAGE 3A/US TIER 3)



ENGINE CHARACTERISTICS W 100 CFi/W 120 CFi/W 130 CFi (EU STAGE 4/US TIER 4F)



— Engine output
— Torque

■ Engine speed = 1,700 rpm

■ Engine speed = 1,900 rpm

■ Engine speed = 2,100 rpm

High traction and optimized weight

The milling drum is arranged close to the centre of gravity of the compact milling machine to ensure maximum traction. What is more, not even the W 130 CF/W 130 CFi requires a special transport permit – a big advantage when it comes to ensuring the flexible and quick completion of milling jobs.

1 | *High traction makes easy work even of challenging milling jobs.*

2 | *The compact milling machine allows direct transport without any detours.*

AUTOMATED INITIATION OF THE MILLING PROCESS

During the automated initiation of the milling process, relief sensors prevent inadvertent lifting of the rear wheels or track units.

AUTOMATED WIDRIVE FEATURES

The WIDRIVE machine management system includes numerous automated features which assist the operator in his everyday work routine. WIDRIVE is an asset also because it reduces diesel consumption and improves daily production rates.

COMPACT DIMENSIONS AND LOW WEIGHT

The machine's optimized weight and compact dimensions ensure ease of transport.





Technical specification

	W 100 CF	W 120 CF	W 130 CF
Milling drum			
Milling width	1,000 mm	1,200 mm	1,300 mm
Milling depth*	0 to 330 mm		
Drum diameter with tools	980 mm		
Engine			
Manufacturer	CUMMINS		
Type	QSL 9		
Cooling	Water		
Number of cylinders	6		
Rated power at 2,100 rpm	246 kW/330 HP/334 PS		
Maximum power at 1,900 rpm	261 kW/350 HP/355 PS		
Displacement	8.9 l		
Fuel consumption at rated power	69 l/h		
Fuel consumption in field mix	28 l/h		
Exhaust emission standards	EU Stage 3a/US Tier 3		
Electrical system			
Voltage supply	24 V		
Tank capacities			
Fuel tank	610 l		
Hydraulic fluid tank	130 l		
Water tank	1,400 l	1,600 l	1,600 l
Driving performance			
Max. milling speed	0 to 43 m/min (2.6 km/h)		
Max. travel speed in wheeled design	0 to 125 m/min (7.5 km/h)		
Max. travel speed in tracked design	0 to 97 m/min (5.8 km/h)		
Wheels or track units			
Wheel size, front and rear (Ø x W)	660 x 280 mm		
Track units, front and rear (L x W x H)	1,330 x 260 x 550 mm		
Loading of the milled material			
Belt width of primary conveyor	650 mm		
Belt width of discharge conveyor	600 mm		
Theoretical capacity of discharge conveyor	176 m ³ /h		

* = The maximum milling depth may deviate from the value indicated due to tolerances and wear.

	W 100 CFi	W 120 CFi	W 130 CFi
Milling drum			
Milling width	1,000 mm	1,200 mm	1,300 mm
Milling depth*	0 to 330 mm		
Drum diameter with tools	980 mm		
Engine			
Manufacturer	CUMMINS		
Type	QSL 9		
Cooling	Water		
Number of cylinders	6		
Rated power at 2,100 rpm	248 kW/333 HP/337 PS		
Maximum power at 1,900 rpm	257 kW/345 HP/350 PS		
Displacement	8.9 l		
Fuel consumption at rated power	67 l/h		
Fuel consumption in field mix	27 l/h		
Exhaust emission standards	EU Stage 4/US Tier 4f		
Electrical system			
Voltage supply	24 V		
Tank capacities			
Fuel tank	610 l		
Adblue®/DEF tank	35 l		
Hydraulic fluid tank	130 l		
Water tank	1,400 l	1,600 l	1,600 l
Driving performance			
Max. milling speed	0 to 43 m/min (2.6 km/h)		
Max. travel speed in wheeled design	0 to 125 m/min (7.5 km/h)		
Max. travel speed in tracked design	0 to 97 m/min (5.8 km/h)		
Wheels or track units			
Wheel size, front and rear (Ø x W)	660 x 280 mm		
Track units, front and rear (L x W x H)	1,330 x 260 x 550 mm		
Loading of the milled material			
Belt width of primary conveyor	650 mm		
Belt width of discharge conveyor	600 mm		
Theoretical capacity of discharge conveyor	176 m³/h		

* = The maximum milling depth may deviate from the value indicated due to tolerances and wear.

Technical specification

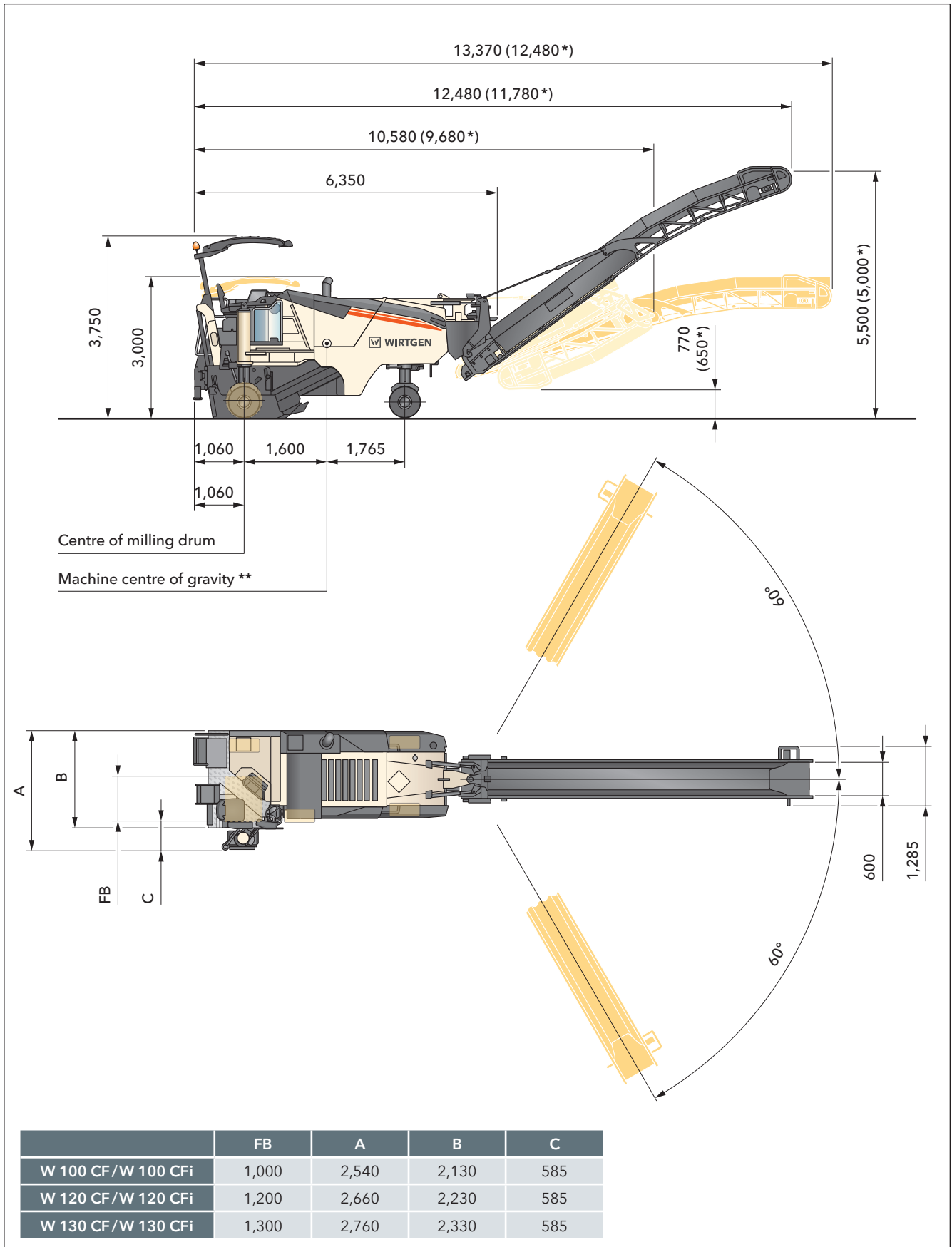
	W 100 CF	W 120 CF	W 130 CF
Weight of basic machine			
Empty weight of machine excluding tank contents	17,800 kg	18,700 kg	19,100 kg
Operating weight, CE*	18,850 kg	19,850 kg	20,250 kg
Maximum operating weight (full tanks, full range of equipment)	22,700 kg	24,000 kg	24,500 kg
Weights of tank contents			
Filling of water tank	1,400 kg	1,600 kg	1,600 kg
Filling of fuel tank (0.83 kg/l)	506 kg		
Additional add-on weights			
Operator and tools			
Operator	75 kg		
5 pick containers	125 kg		
On-board tools	30 kg		
Optional milling drum units in lieu of standard			
Milling drum housing FB1000 FCS	280 kg	-	-
Milling drum housing FB1200 FCS	-	330 kg	-
Milling drum housing FB1300 FCS	-	-	370 kg
FCS tandem scraper FB1000	180 kg	-	-
FCS tandem scraper FB1200	-	210 kg	-
FCS tandem scraper FB1300	-	-	225 kg
Optional milling drums in lieu of standard			
FCS milling drum FB1000 HT22 LA15 with 99 picks	-80 kg	-	-
FCS milling drum FB1200 HT22 LA15 with 115 picks	-	-80 kg	-
FCS milling drum FB1300 HT22 LA15 with 121 picks	-	-	-80 kg
FCS milling drum FB1000 HT22 LA8 with 149 picks	155 kg	-	-
FCS milling drum FB1200 HT22 LA8 with 174 picks	-	200 kg	-
FCS milling drum FB1300 HT22 LA8 with 185 picks	-	-	225 kg
FCS milling drum FB1000 HT5 LA6X2 with 340 picks	100 kg	-	-
FCS milling drum FB1200 HT5 LA6X2 with 410 picks	-	150 kg	-
FCS milling drum FB1300 HT5 LA6X2 with 444 picks	-	-	170 kg
Optional additional equipment			
Track units in lieu of wheels	1,400 kg		
Hydraulically lowering canopy in lieu of standard	200 kg		
Short discharge conveyor in hydraulic folding design, 7,250 mm long with 600 mm wide belt, in lieu of standard	-45 kg		
VCS extraction system	125 kg		
Supplementary weight for flexible use	400 kg	515 kg	515 kg

* = Weight of machine, half-full water tank, half-full fuel tank, operator, on-board tools, excluding optional equipment features

	W 100 CFi	W 120 CFi	W 130 CFi
Weight of basic machine			
Empty weight of machine excluding tank contents	17,900 kg	18,800 kg	19,200 kg
Operating weight, CE*	19,000 kg	20,000 kg	20,400 kg
Maximum operating weight (full tanks, full range of equipment)	22,800 kg	24,050 kg	24,650 kg
Weights of tank contents			
Filling of water tank	1,400 kg	1,600 kg	1,600 kg
Filling of fuel tank (0.83 kg/l)		506 kg	
Filling of AdBlue®/DEF tank (1.1 kg/l)		38.5 kg	
Additional add-on weights			
Operator and tools			
Operator		75 kg	
5 pick containers		125 kg	
On-board tools		30 kg	
Optional milling drum units in lieu of standard			
Milling drum housing FB1000 FCS	280 kg	-	-
Milling drum housing FB1200 FCS	-	330 kg	-
Milling drum housing FB1300 FCS	-	-	370 kg
FCS tandem scraper FB1000	180 kg	-	-
FCS tandem scraper FB1200	-	210 kg	-
FCS tandem scraper FB1300	-	-	225 kg
Optional milling drums in lieu of standard			
FCS milling drum FB1000 HT22 LA15 with 99 picks	-80 kg	-	-
FCS milling drum FB1200 HT22 LA15 with 115 picks	-	-80 kg	-
FCS milling drum FB1300 HT22 LA15 with 121 picks	-	-	-80 kg
FCS milling drum FB1000 HT22 LA8 with 149 picks	155 kg	-	-
FCS milling drum FB1200 HT22 LA8 with 174 picks	-	200 kg	-
FCS milling drum FB1300 HT22 LA8 with 185 picks	-	-	225 kg
FCS milling drum FB1000 HT5 LA6X2 with 340 picks	100 kg	-	-
FCS milling drum FB1200 HT5 LA6X2 with 410 picks	-	150 kg	-
FCS milling drum FB1300 HT5 LA6X2 with 444 picks	-	-	170 kg
Optional additional equipment			
Track units in lieu of wheels		1,400 kg	
Hydraulically lowering canopy in lieu of standard		200 kg	
Short discharge conveyor in hydraulic folding design, 7,250 mm long with 600 mm wide belt, in lieu of standard		-45 kg	
VCS extraction system		125 kg	
Supplementary weight for flexible use	400 kg	515 kg	515 kg

* = Weight of machine, half-full water tank, half-full fuel tank, operator, on-board tools, excluding optional equipment features

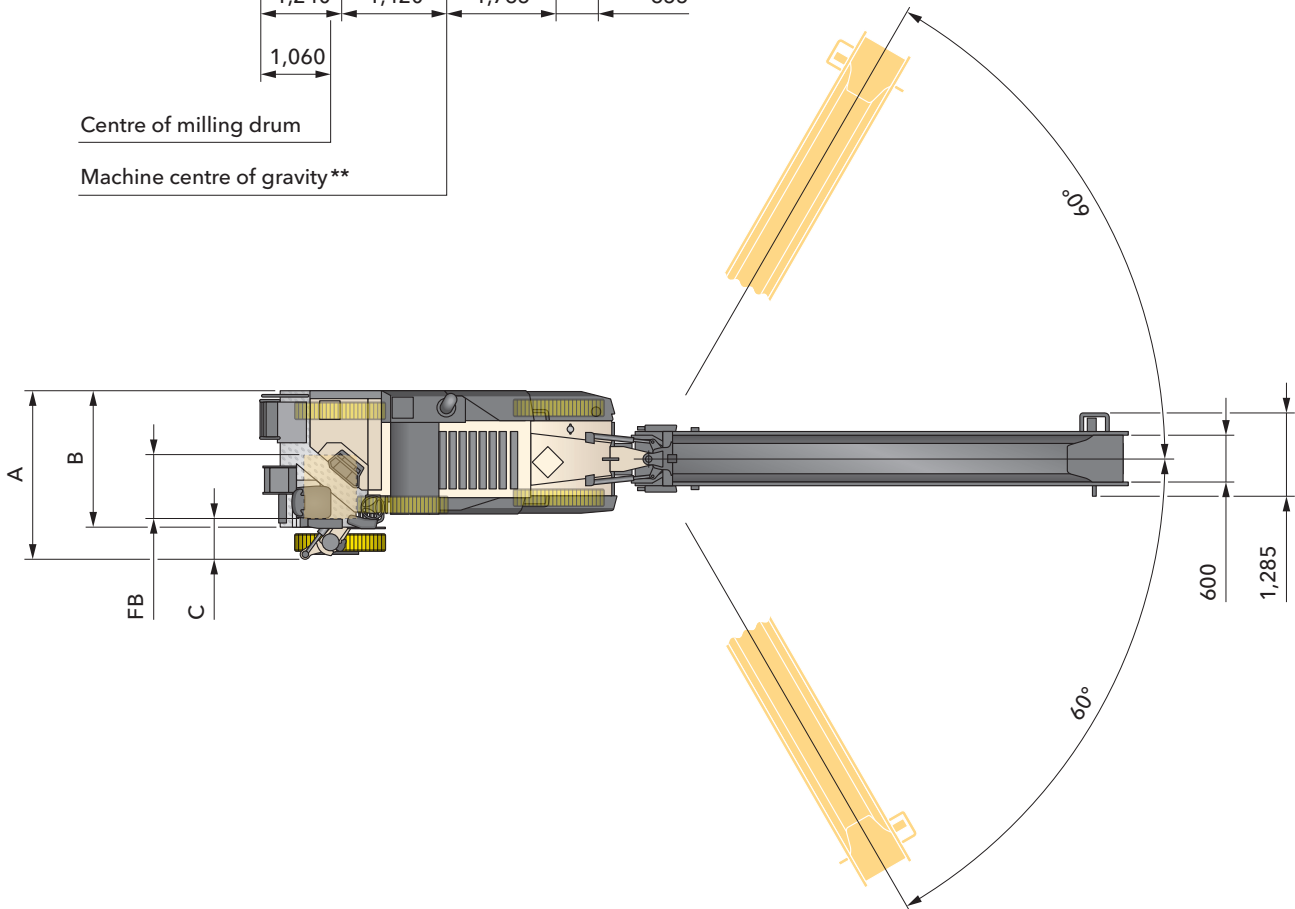
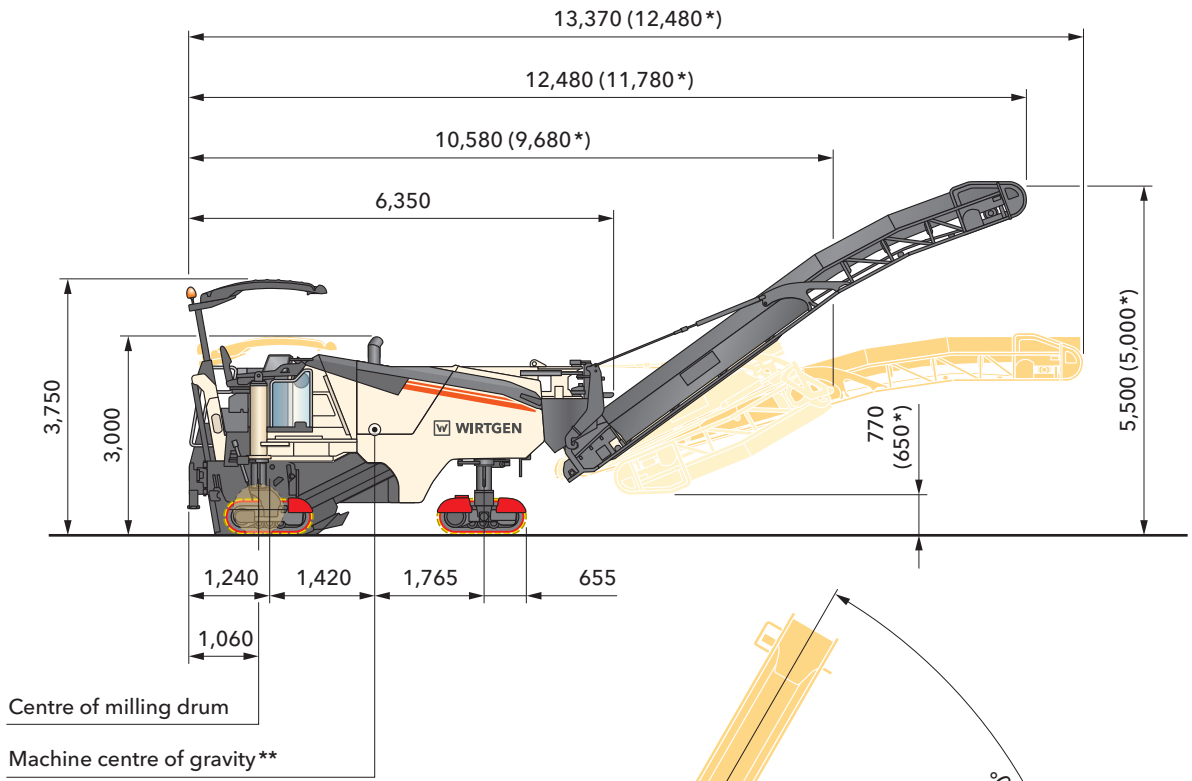
Dimensions



Cold milling machine in wheeled design, dimensions in mm

* = Short discharge conveyor in folding design

** = Based on operating weight, CE with conveyor folded out



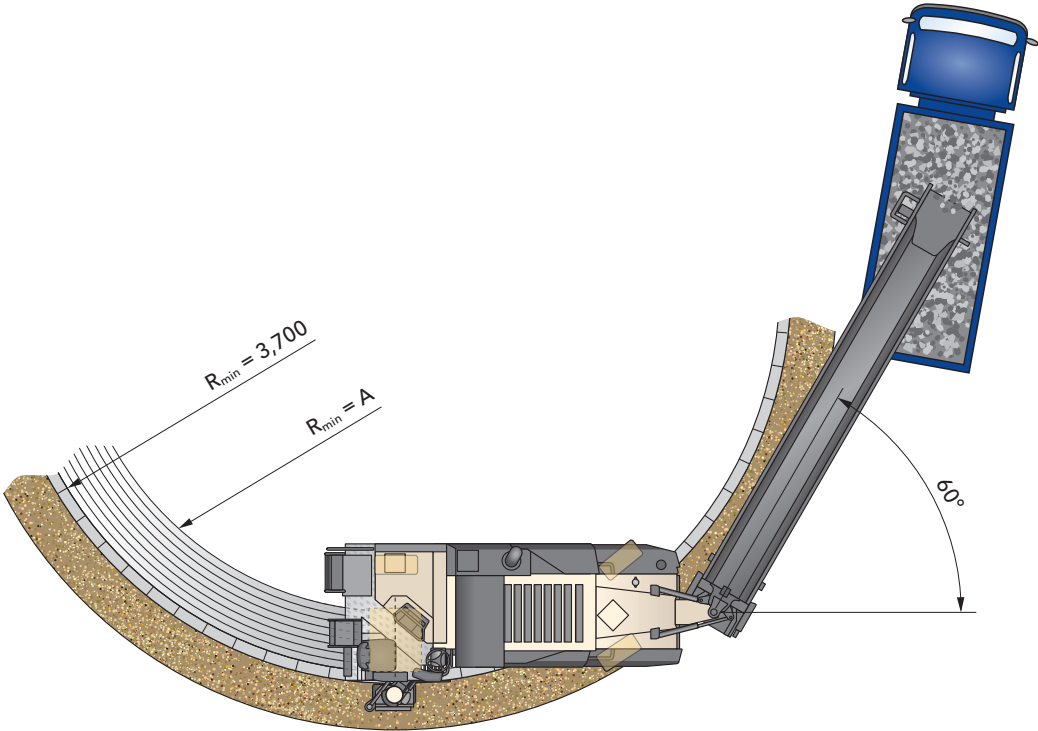
	FB	A	B	C
W 100 CF/W 100 CFi	1,000	2,540	2,130	585
W 120 CF/W 120 CFi	1,200	2,660	2,230	585
W 130 CF/W 130 CFi	1,300	2,760	2,330	585

Cold milling machine in tracked design, dimensions in mm

* = Short discharge conveyor in folding design

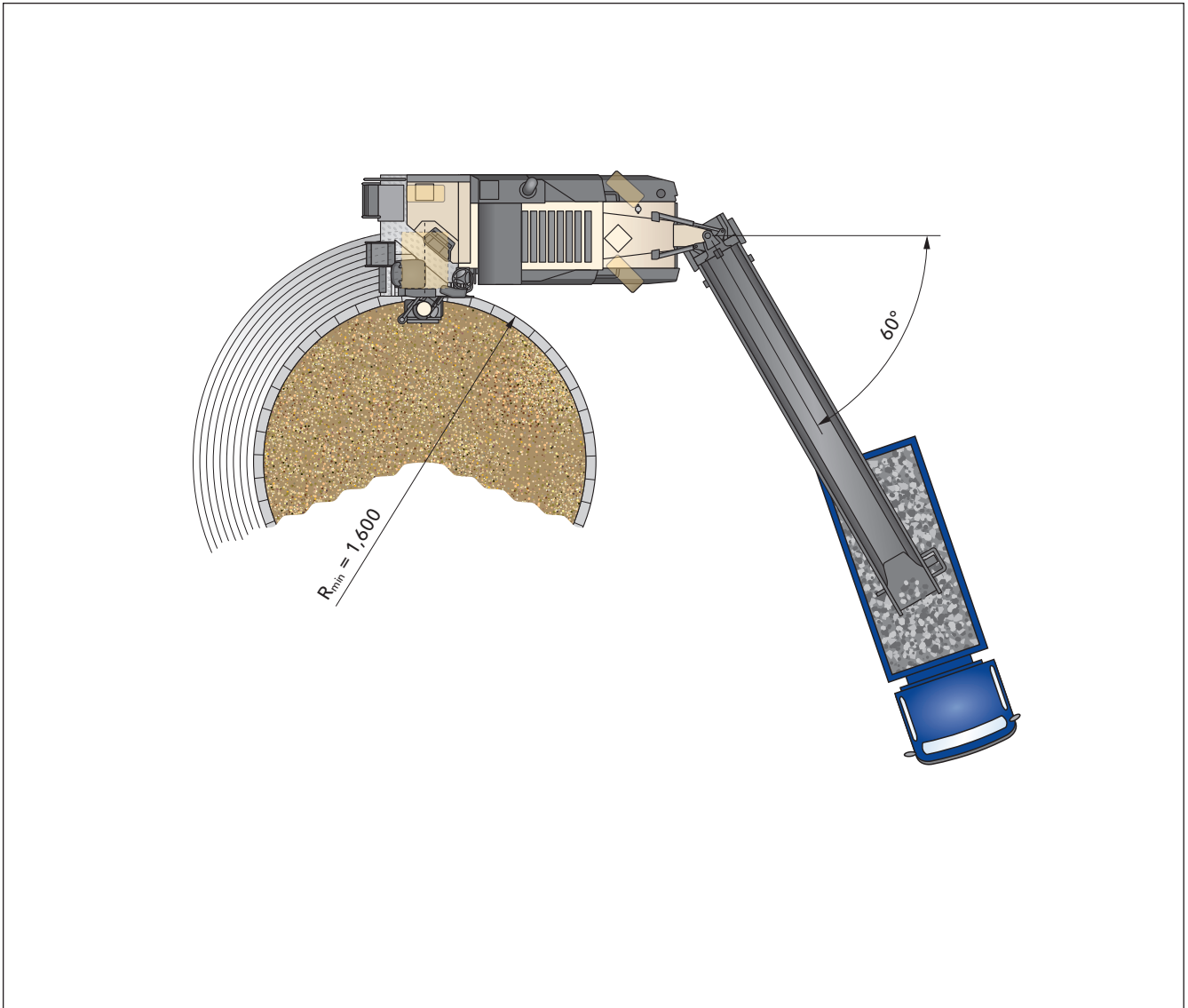
** = Based on operating weight, CE with conveyor folded out

Dimensions



	FB	A
W 100 CF/W 100 CFi	1,000	2,700
W 120 CF/W 120 CFi	1,200	2,500
W 130 CF/W 130 CFi	1,300	2,500

Milling radius, milling depth 150 mm, dimensions in mm



Milling radius, milling depth 150 mm, dimensions in mm

Standard equipment

W 100 CF, W 120 CF, W 130 CF

	W 100 CF	W 120 CF	W 130 CF
Base machine			
Basic machine with engine	■	■	■
Mechanically opening engine cover with noise insulation	■	■	■
Radiator with temperature-dependent fan speed	■	■	■
Highly effective noise insulation throughout the engine compartment	■	■	■
Automatic engine speed control depending on driving situation	■	■	■
Elastically mounted engine station with low vibration and low noise	■	■	■
Milling drum unit			
The right side of the milling drum housing can easily be folded down for maintenance or milling drum change	■	■	■
Hydraulically operated scraper with mechanical locking	■	■	■
Milling drum housing FB1000	□	–	–
Milling drum housing FB1200	–	□	–
Milling drum housing FB1300	–	–	□
Milling drums			
Milling drum FB1000 HT22 LA15 with 99 picks	□	–	–
Milling drum FB1200 HT22 LA15 with 115 picks	–	□	–
Milling drum FB1300 HT22 LA15 with 121 picks	–	–	□
Milled-out material loading			
Discharge conveyor slewing angle left 60 degrees - right 60 degrees	■	■	■
Two slewing speeds on the hydraulically foldable discharge conveyor with an adjustable conveying speed for precise loading	■	■	■
Machine with hydraulic standard coupling for the discharge conveyor	□	□	□
Discharge conveyor, 8,150 mm long, 600 mm wide, with hydraulic folding device	□	□	□
Machine control and levelling system			
Digital milling depth indicator in the machine control display	■	■	■
LEVEL PRO PLUS levelling system right and left	■	■	■
RAPID SLOPE transverse tilt sensor for LEVEL PRO PLUS levelling system	■	■	■
Precise machine height adjustment in 1 or 5 mm steps on the main control panel of the machine	■	■	■
Digital load control, manual engageable, hydraulic differential lock (by flow distributor)	■	■	■

- = Standard equipment
- = Standard equipment, replaceable with optional equipment
- = Optional equipment

	W 100 CF	W 120 CF	W 130 CF
Operator's stand			
Hydraulically extending operator's stand for optimum visibility of the working area	■	■	■
Steering console with adjustable rake and reach for ideal adaptation of the operator's stand to the operator	■	■	■
Slender machine design permits unobstructed view of the milled edge as well as the working area in front of the milling drum on the right	■	■	■
Conveniently accessible ladder/footstep to the operator's stand with night-time lighting and especially low bottom edge of the latter/footstep	■	■	■
Robust anti-vandalism protection for the controls	■	■	■
Mirror package comprising rear-view mirrors at front left and right as well as a forward-pointing mirror at the left of the operator's stand	■	■	■
Reversing horn with clear audible signal	■	■	■
Illuminated operating panel/nighttime design	■	■	■
Scraper height is shown on the display	■	■	■
Standard operator's seat	□	□	□
Under-carriage and height adjustment			
Hydraulic height adjustment of the front and rear crawler units at two speeds	■	■	■
4 driven wheeled chassis	□	□	□
Others			
Large tool package	■	■	■
Device for towing away	■	■	■
Generously sized water and diesel tanks	■	■	■
Extensive safety package with several EMERGENCY STOP switches	■	■	■
Machine preparation for installing the control unit for WITOS® FleetView	■	■	■
European type test certificate, Euro Test-mark and CE conformity	■	■	■
Paint standard cream white RAL 9001	□	□	□
Halogen/LED lighting package including rotating beacon	□	□	□

■ = Standard equipment
 □ = Standard equipment, replaceable with optional equipment
 □ = Optional equipment

Optional equipment

W 100 CF, W 120 CF, W 130 CF

42
43

	W 100 CF	W 120 CF	W 130 CF
Milling drum unit			
Milling drum housing FB1000 FCS	<input type="checkbox"/>	–	–
Overload sensor on the scraper FB1000	<input type="checkbox"/>	–	–
Milling drum housing FB1200 FCS	–	<input type="checkbox"/>	–
Overload sensor on the scraper FB1200	–	<input type="checkbox"/>	–
Milling drum housing FB1300 FCS	–	–	<input type="checkbox"/>
Overload sensor on the scraper FB1300	–	–	<input type="checkbox"/>
Active floating position for the right and left side plates	<input type="checkbox"/>	<input type="checkbox"/>	<input type="checkbox"/>
Preliminary equipment for deep milling unit, including all required connections	<input type="checkbox"/>	–	–
Base unit for an external mounted deep milling unit, including a supported drive shaft and a side plate	<input type="checkbox"/>	–	–
Milling drums			
FCS milling drum FB1000 HT22 LA15 with 99 picks	<input type="checkbox"/>	–	–
FCS milling drum FB1200 HT22 LA15 with 115 picks	–	<input type="checkbox"/>	–
FCS milling drum FB1300 HT22 LA15 with 121 picks	–	–	<input type="checkbox"/>
FCS milling drum FB1000 HT22 LA18 with 84 picks	<input type="checkbox"/>	–	–
FCS milling drum FB1200 HT22 LA18 with 100 picks	–	<input type="checkbox"/>	–
FCS milling drum FB1300 HT22 LA18 with 107 picks	–	–	<input type="checkbox"/>
FCS tandem scraper FB1000	<input type="checkbox"/>	–	–
FCS tandem scraper FB1200	–	<input type="checkbox"/>	–
FCS tandem scraper FB1300	–	–	<input type="checkbox"/>
FCS milling unit FB300 HT22 LA12 with 61 picks	<input type="checkbox"/>	<input type="checkbox"/>	<input type="checkbox"/>
FCS milling unit FB500 HT22 LA15 with 72 picks	<input type="checkbox"/>	<input type="checkbox"/>	<input type="checkbox"/>
FCS milling unit FB600 HT22 LA12 with 80 picks	<input type="checkbox"/>	<input type="checkbox"/>	<input type="checkbox"/>
FCS milling unit FB900 HT22 LA15 with 102 picks	–	<input type="checkbox"/>	<input type="checkbox"/>
Assembly kit for moving the FCS milling drum	<input type="checkbox"/>	<input type="checkbox"/>	<input type="checkbox"/>
FCS milling drum FB1000 HT22 LA8 with 149 picks	<input type="checkbox"/>	–	–
FCS milling drum FB1200 HT22 LA8 with 174 picks	–	<input type="checkbox"/>	–
FCS milling drum FB1300 HT22 LA8 with 185 picks	–	–	<input type="checkbox"/>
FCS milling drum FB1000 HT5 LA6X2 with 340 picks	<input type="checkbox"/>	–	–
FCS milling drum FB1200 HT5 LA6X2 with 410 picks	–	<input type="checkbox"/>	–
FCS milling drum FB1300 HT5 LA6X2 with 444 picks	–	–	<input type="checkbox"/>
FCS milling drum FB1000 HT22 LA25 with 83 picks	<input type="checkbox"/>	–	–
FCS milling drum FB1200 HT22 LA25 with 87 picks	–	<input type="checkbox"/>	–
FCS milling drum FB1300 HT22 LA25 with 91 picks	–	–	<input type="checkbox"/>
Milled-out material loading			
Machine with hydraulic quick-change coupling for the discharge conveyor	<input type="checkbox"/>	<input type="checkbox"/>	<input type="checkbox"/>
Shortened discharge conveyor, 7,250 mm long, 600 mm wide, with hydraulic folding device	<input type="checkbox"/>	<input type="checkbox"/>	<input type="checkbox"/>
VCS extraction system	<input type="checkbox"/>	<input type="checkbox"/>	<input type="checkbox"/>
Additional storage compartment on the discharge conveyor	<input type="checkbox"/>	<input type="checkbox"/>	<input type="checkbox"/>

- = Standard equipment
- = Standard equipment, replaceable with optional equipment
- = Optional equipment

	W 100 CF	W 120 CF	W 130 CF
Machine control and levelling system			
SONIC SKI sensor for LEVEL PRO PLUS levelling system	<input type="checkbox"/>	<input type="checkbox"/>	<input type="checkbox"/>
Multiplex 3-way right with 2 ultrasonic sensors (FB1000/1200)	<input type="checkbox"/>	<input type="checkbox"/>	—
Multiplex 3-way right + left with 4 ultrasonic sensors (FB1000/1200)	<input type="checkbox"/>	<input type="checkbox"/>	—
Multiplex 3-way right with 2 ultrasonic sensors (FB1300)	—	—	<input type="checkbox"/>
Multiplex 3-way right + left with 4 ultrasonic sensors (FB1300)	—	—	<input type="checkbox"/>
Level control 3D levelling pre-equipment	<input type="checkbox"/>	<input type="checkbox"/>	<input type="checkbox"/>
Basic equipment laser levelling without laser transmitter	<input type="checkbox"/>	<input type="checkbox"/>	<input type="checkbox"/>
Job data acquisition in the control display	<input type="checkbox"/>	<input type="checkbox"/>	<input type="checkbox"/>
Operator's stand			
Comfort operator's seat including seat heating	<input type="checkbox"/>	<input type="checkbox"/>	<input type="checkbox"/>
Operator's stand with hydraulically lowering weather canopy	<input type="checkbox"/>	<input type="checkbox"/>	<input type="checkbox"/>
Under-carriage and height adjustment			
4 driven crawler units	<input type="checkbox"/>	<input type="checkbox"/>	<input type="checkbox"/>
Others			
Paint in one special colour (RAL)	<input type="checkbox"/>	<input type="checkbox"/>	<input type="checkbox"/>
Paint in two special colours (RAL)	<input type="checkbox"/>	<input type="checkbox"/>	<input type="checkbox"/>
Paint in maximum two special colours with substructure in special colour (RAL)	<input type="checkbox"/>	<input type="checkbox"/>	<input type="checkbox"/>
High-power lighting package LED including rotating beacon	<input type="checkbox"/>	<input type="checkbox"/>	<input type="checkbox"/>
Additional weight 400 kg	<input type="checkbox"/>	—	—
Additional weight 515 kg	—	<input type="checkbox"/>	<input type="checkbox"/>
Precision steering by pushbuttons	<input type="checkbox"/>	<input type="checkbox"/>	<input type="checkbox"/>
Milling drum assembly trolley to FB1300	<input type="checkbox"/>	<input type="checkbox"/>	<input type="checkbox"/>
Signal lights truck stop-and-go, folding	<input type="checkbox"/>	<input type="checkbox"/>	<input type="checkbox"/>
Electrohydraulic unit	<input type="checkbox"/>	<input type="checkbox"/>	<input type="checkbox"/>
Water filling hydraulic	<input type="checkbox"/>	<input type="checkbox"/>	<input type="checkbox"/>
High-pressure water cleaner, 150 bar 15 l/min	<input type="checkbox"/>	<input type="checkbox"/>	<input type="checkbox"/>
Air compressor system	<input type="checkbox"/>	<input type="checkbox"/>	<input type="checkbox"/>
Pneumatic hammer with pick ejector/insertor	<input type="checkbox"/>	<input type="checkbox"/>	<input type="checkbox"/>
Hydraulically driven pick ejector drift	<input type="checkbox"/>	<input type="checkbox"/>	<input type="checkbox"/>
Milling drum rotation device	<input type="checkbox"/>	<input type="checkbox"/>	<input type="checkbox"/>
WITOS® FleetView telematics system incl. 3-year operating period	<input type="checkbox"/>	<input type="checkbox"/>	<input type="checkbox"/>
Monitor system with 2 cameras and screen	<input type="checkbox"/>	<input type="checkbox"/>	<input type="checkbox"/>
Monitor system with 3 cameras and screen	<input type="checkbox"/>	<input type="checkbox"/>	<input type="checkbox"/>
Expanded lighting equipment	<input type="checkbox"/>	<input type="checkbox"/>	<input type="checkbox"/>

= Standard equipment
 = Standard equipment, replaceable with optional equipment
 = Optional equipment

Standard equipment

W 100 CFi, W 120 CFi, W 130 CFi

	W 100 CFi	W 120 CFi	W 130 CFi
Base machine			
Basic machine with engine	■	■	■
Mechanically opening engine cover with noise insulation	■	■	■
Radiator with temperature-dependent fan speed	■	■	■
Highly effective noise insulation throughout the engine compartment	■	■	■
Automatic engine speed control depending on driving situation	■	■	■
Elastically mounted engine station with low vibration and low noise	■	■	■
Exhaust post-treatment diesel oxidation catalytic converter DOC	□	□	□
Milling drum unit			
The right side of the milling drum housing can easily be folded down for maintenance or milling drum change	■	■	■
Hydraulically operated scraper with mechanical locking	■	■	■
Milling drum housing FB1000	□	—	—
Milling drum housing FB1200	—	□	—
Milling drum housing FB1300	—	—	□
Milling drums			
Milling drum FB1000 HT22 LA15 with 99 picks	□	—	—
Milling drum FB1200 HT22 LA15 with 115 picks	—	□	—
Milling drum FB1300 HT22 LA15 with 121 picks	—	—	□
Milled-out material loading			
Discharge conveyor slewing angle left 60 degrees - right 60 degrees	■	■	■
Two slewing speeds on the hydraulically foldable discharge conveyor with an adjustable conveying speed for precise loading	■	■	■
Machine with hydraulic standard coupling for the discharge conveyor	□	□	□
Discharge conveyor, 8,150 mm long, 600 mm wide, with hydraulic folding device	□	□	□
Machine control and levelling system			
Digital milling depth indicator in the machine control display	■	■	■
LEVEL PRO PLUS levelling system. The measurement is made using cylinder sensors on the side plate right and left. The milling depth is displayed and set intuitively on the LEVEL PRO PLUS control display. The milling depth is regulated automatically. Incl. preliminary equipment for additional sensors (e.g. Rapid Slope).	■	■	■
RAPID SLOPE transverse tilt sensor for LEVEL PRO PLUS levelling system	■	■	■
Precise machine height adjustment in 1 or 5 mm steps on the main control panel of the machine	■	■	■
Digital load control, manual engageable, hydraulic differential lock (by flow distributor)	■	■	■

- = Standard equipment
- = Standard equipment, replaceable with optional equipment
- = Optional equipment

	W 100 CFi	W 120 CFi	W 130 CFi
Operator's stand			
Hydraulically extending operator's stand for optimum visibility of the working area	■	■	■
Steering console with adjustable rake and reach for ideal adaptation of the operator's stand to the operator	■	■	■
Slender machine design permits unobstructed view of the milled edge as well as the working area in front of the milling drum on the right	■	■	■
Conveniently accessible ladder/footstep to the operator's stand with night-time lighting and especially low bottom edge of the latter/footstep	■	■	■
Robust anti-vandalism protection for the controls	■	■	■
Mirror package comprising rear-view mirrors at front left and right as well as a forward-pointing mirror at the left of the operator's stand	■	■	■
Reversing horn with clear audible signal	■	■	■
Illuminated operating panel/nighttime design	■	■	■
Scraper height is shown on the display	■	■	■
Standard operator's seat	□	□	□
Under-carriage and height adjustment			
Hydraulic height adjustment of the front and rear crawler units at two speeds	■	■	■
4 driven wheeled chassis	□	□	□
Others			
Large tool package	■	■	■
Device for towing away	■	■	■
Generously sized water and diesel tanks	■	■	■
Extensive safety package with several EMERGENCY STOP switches	■	■	■
Machine preparation for installing the control unit for WITOS® FleetView	■	■	■
European type test certificate, Euro Test-mark and CE conformity	■	■	■
Paint standard cream white RAL 9001	□	□	□
Halogen/LED lighting package including rotating beacon	□	□	□

■ = Standard equipment
 ■ = Standard equipment, replaceable with optional equipment
 □ = Optional equipment

Optional equipment

W 100 CFi, W 120 CFi, W 130 CFi

	W 100 CFi	W 120 CFi	W 130 CFi
Base machine			
Exhaust post-treatment diesel oxidation catalyst DOC with diesel particulate filter DPF	<input type="checkbox"/>	<input type="checkbox"/>	<input type="checkbox"/>
Milling drum unit			
Milling drum housing FB1000 FCS	<input type="checkbox"/>	—	—
Overload sensor on the scraper FB1000	<input type="checkbox"/>	—	—
Milling drum housing FB1200 FCS	—	<input type="checkbox"/>	—
Overload sensor on the scraper FB1200	—	<input type="checkbox"/>	—
Milling drum housing FB1300 FCS	—	—	<input type="checkbox"/>
Overload sensor on the scraper FB1300	—	—	<input type="checkbox"/>
Active floating position for the right and left side plates	<input type="checkbox"/>	<input type="checkbox"/>	<input type="checkbox"/>
Preliminary equipment for deep milling unit, including all required connections	<input type="checkbox"/>	—	—
Base unit for an external mounted deep milling unit, including a supported drive shaft and a side plate	<input type="checkbox"/>	—	—
Milling drums			
FCS milling drum FB1000 HT22 LA15 with 99 picks	<input type="checkbox"/>	—	—
FCS milling drum FB1200 HT22 LA15 with 115 picks	—	<input type="checkbox"/>	—
FCS milling drum FB1300 HT22 LA15 with 121 picks	—	—	<input type="checkbox"/>
FCS milling drum FB1000 HT22 LA18 with 84 picks	<input type="checkbox"/>	—	—
FCS milling drum FB1200 HT22 LA18 with 100 picks	—	<input type="checkbox"/>	—
FCS milling drum FB1300 HT22 LA18 with 107 picks	—	—	<input type="checkbox"/>
FCS tandem scraper FB1000	<input type="checkbox"/>	—	—
FCS tandem scraper FB1200	—	<input type="checkbox"/>	—
FCS tandem scraper FB1300	—	—	<input type="checkbox"/>
FCS milling unit FB300 HT22 LA12 with 61 picks	<input type="checkbox"/>	<input type="checkbox"/>	<input type="checkbox"/>
FCS milling unit FB500 HT22 LA15 with 72 picks	<input type="checkbox"/>	<input type="checkbox"/>	<input type="checkbox"/>
FCS milling unit FB600 HT22 LA12 with 80 picks	<input type="checkbox"/>	<input type="checkbox"/>	<input type="checkbox"/>
FCS milling unit FB900 HT22 LA15 with 102 picks	—	<input type="checkbox"/>	<input type="checkbox"/>
Assembly kit for moving the FCS milling drum	<input type="checkbox"/>	<input type="checkbox"/>	<input type="checkbox"/>
FCS milling drum FB1000 HT22 LA8 with 149 picks	<input type="checkbox"/>	—	—
FCS milling drum FB1200 HT22 LA8 with 174 picks	—	<input type="checkbox"/>	—
FCS milling drum FB1300 HT22 LA8 with 185 picks	—	—	<input type="checkbox"/>
FCS milling drum FB1000 HT5 LA6X2 with 340 picks	<input type="checkbox"/>	—	—
FCS milling drum FB1200 HT5 LA6X2 with 410 picks	—	<input type="checkbox"/>	—
FCS milling drum FB1300 HT5 LA6X2 with 444 picks	—	—	<input type="checkbox"/>
FCS milling drum FB1000 HT22 LA25 with 83 picks	<input type="checkbox"/>	—	—
FCS milling drum FB1200 HT22 LA25 with 87 picks	—	<input type="checkbox"/>	—
FCS milling drum FB1300 HT22 LA25 with 91 picks	—	—	<input type="checkbox"/>
Milled-out material loading			
Machine with hydraulic quick-change coupling for the discharge conveyor	<input type="checkbox"/>	<input type="checkbox"/>	<input type="checkbox"/>
Shortened discharge conveyor, 7,250 mm long, 600 mm wide, with hydraulic folding device	<input type="checkbox"/>	<input type="checkbox"/>	<input type="checkbox"/>
VCS extraction system	<input type="checkbox"/>	<input type="checkbox"/>	<input type="checkbox"/>
Additional storage compartment on the discharge conveyor	<input type="checkbox"/>	<input type="checkbox"/>	<input type="checkbox"/>

- = Standard equipment
- = Standard equipment, replaceable with optional equipment
- = Optional equipment

	W 100 Cfi	W 120 Cfi	W 130 Cfi
Machine control and levelling system			
SONIC SKI sensor for LEVEL PRO PLUS levelling system	<input type="checkbox"/>	<input type="checkbox"/>	<input type="checkbox"/>
Multiplex 3-way right with 2 ultrasonic sensors (FB1000/1200)	<input type="checkbox"/>	<input type="checkbox"/>	—
Multiplex 3-way right + left with 4 ultrasonic sensors (FB1000/1200)	<input type="checkbox"/>	<input type="checkbox"/>	—
Multiplex 3-way right with 2 ultrasonic sensors (FB1300)	—	—	<input type="checkbox"/>
Multiplex 3-way right + left with 4 ultrasonic sensors (FB1300)	—	—	<input type="checkbox"/>
Level control 3D levelling pre-equipment	<input type="checkbox"/>	<input type="checkbox"/>	<input type="checkbox"/>
Basic equipment laser levelling without laser transmitter	<input type="checkbox"/>	<input type="checkbox"/>	<input type="checkbox"/>
Job data acquisition in the control display	<input type="checkbox"/>	<input type="checkbox"/>	<input type="checkbox"/>
Operator's stand			
Comfort operator's seat including seat heating	<input type="checkbox"/>	<input type="checkbox"/>	<input type="checkbox"/>
Operator's stand with hydraulically lowering weather canopy	<input type="checkbox"/>	<input type="checkbox"/>	<input type="checkbox"/>
Under-carriage and height adjustment			
4 driven crawler units	<input type="checkbox"/>	<input type="checkbox"/>	<input type="checkbox"/>
Others			
Paint in one special colour (RAL)	<input type="checkbox"/>	<input type="checkbox"/>	<input type="checkbox"/>
Paint in two special colours (RAL)	<input type="checkbox"/>	<input type="checkbox"/>	<input type="checkbox"/>
Paint in maximum two special colours with substructure in special colour (RAL)	<input type="checkbox"/>	<input type="checkbox"/>	<input type="checkbox"/>
High-power lighting package LED including rotating beacon	<input type="checkbox"/>	<input type="checkbox"/>	<input type="checkbox"/>
Additional weight 400 kg	<input type="checkbox"/>	—	—
Additional weight 515 kg	—	<input type="checkbox"/>	<input type="checkbox"/>
Precision steering by pushbuttons	<input type="checkbox"/>	<input type="checkbox"/>	<input type="checkbox"/>
Milling drum assembly trolley to FB1300	<input type="checkbox"/>	<input type="checkbox"/>	<input type="checkbox"/>
Electric preheating of the fuel filter	<input type="checkbox"/>	<input type="checkbox"/>	<input type="checkbox"/>
Signal lights truck stop-and-go, folding	<input type="checkbox"/>	<input type="checkbox"/>	<input type="checkbox"/>
Electrohydraulic unit	<input type="checkbox"/>	<input type="checkbox"/>	<input type="checkbox"/>
Water filling hydraulic	<input type="checkbox"/>	<input type="checkbox"/>	<input type="checkbox"/>
High-pressure water cleaner, 150 bar 15 l/min	<input type="checkbox"/>	<input type="checkbox"/>	<input type="checkbox"/>
Air compressor system	<input type="checkbox"/>	<input type="checkbox"/>	<input type="checkbox"/>
Pneumatic hammer with pick ejector/insertor	<input type="checkbox"/>	<input type="checkbox"/>	<input type="checkbox"/>
Hydraulically driven pick ejector drift	<input type="checkbox"/>	<input type="checkbox"/>	<input type="checkbox"/>
Milling drum rotation device	<input type="checkbox"/>	<input type="checkbox"/>	<input type="checkbox"/>
WITOS® FleetView telematics system incl. 3-year operating period	<input type="checkbox"/>	<input type="checkbox"/>	<input type="checkbox"/>
Monitor system with 2 cameras and screen	<input type="checkbox"/>	<input type="checkbox"/>	<input type="checkbox"/>
Monitor system with 3 cameras and screen	<input type="checkbox"/>	<input type="checkbox"/>	<input type="checkbox"/>
Expanded lighting equipment	<input type="checkbox"/>	<input type="checkbox"/>	<input type="checkbox"/>

- = Standard equipment
- = Standard equipment, replaceable with optional equipment
- = Optional equipment



WIRTGEN GmbH
Reinhard-Wirtgen-Str. 2 · 53578 Windhagen · Germany
Phone: +49 (0)26 45/131-0 · Fax: +49 (0)26 45/131-392
Internet: www.wirtgen.com · E-Mail: info@wirtgen.com

