

 730 M

# SENEBOGEN



**164** kW (Stage IIIa)  
**168** kW (Stage V)



**34.1** t



**11** m



**MAXCAB**

# 730E

Mobile material handling machine

Stage V emission standards

# 730E Advanced. The E-Series.



1974: Timber handling machine with elevated cab

## What makes up the E-Series

- 60 years of experience in designing and constructing hydraulic material handling machines
- Uncompromisingly high performance in all areas: focus on material handling
- Technology that can be mastered: high-quality components without over-engineering
- Long product service life and high value retention

## Your top benefits:

- 1 Green Efficiency**  
Save fuel – reduce operating costs  
Work quietly – protect operator and environment
- 2 Peak performance**  
Durable mechanical systems – stressed parts optimized  
High speeds – high load capacities
- 3 Maximum operating comfort**  
Comfortable Maxcab operator cab – relaxed work  
SENCON – SENNEBOGEN Control System
- 4 Maximum safety**  
Safe entry and exit – no-slip steps  
State-of-the-art cameras – entire work area in view
- 5 Maintenance and service made easy**  
Easy fault diagnosis – central reading points  
Easy maintenance – clear labeling
- 6 Consultation and support**  
3 production sites – 2 subsidiaries  
120 sales partners – over 300 service stations







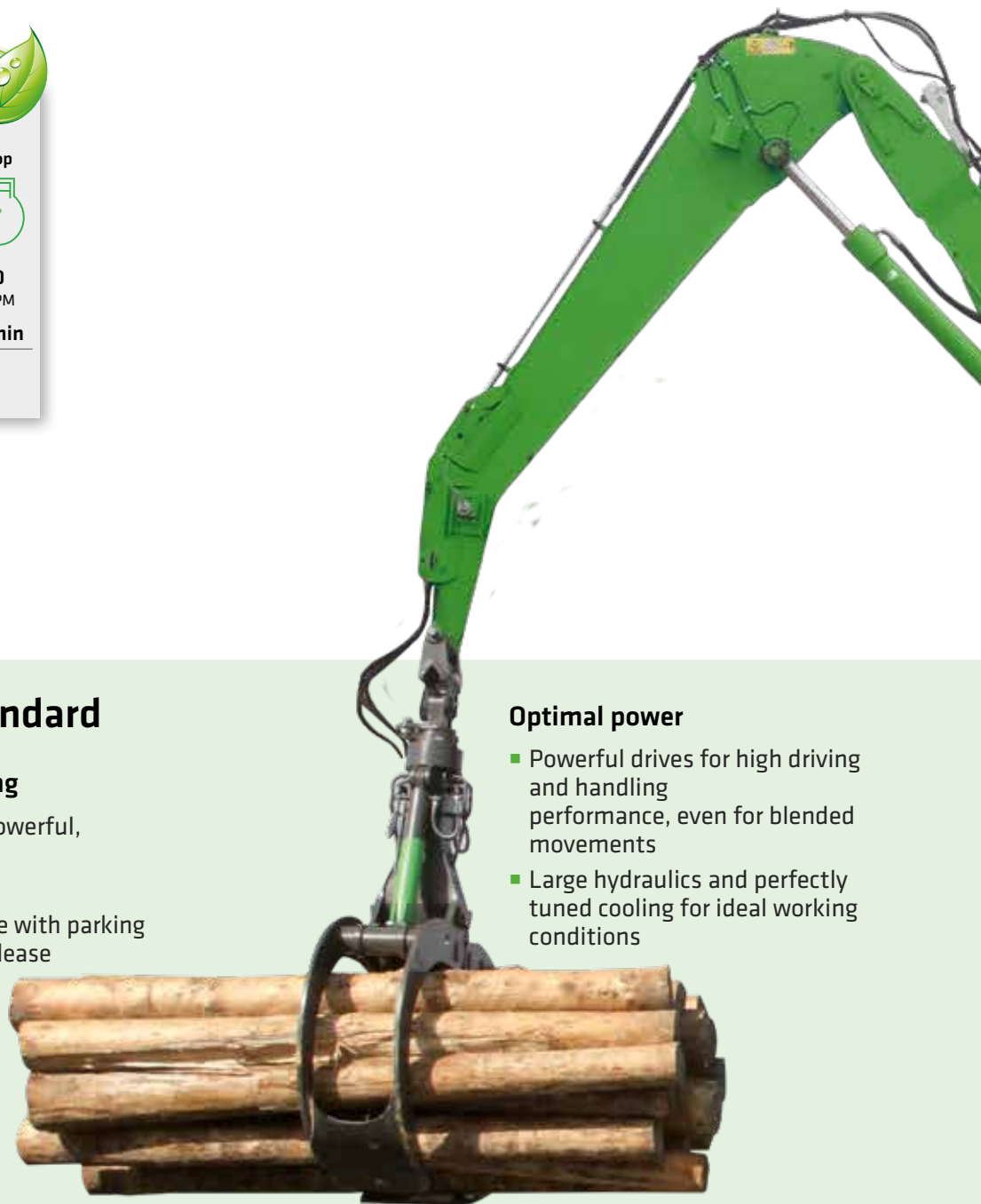
\*Up to 25% depending on use compared to the D-Series



# 730E The timber handling machine



Work	Idle		Stop
			
1800 ECO RPM	1400 RPM	800 RPM	0 RPM
0 s	5 s	8 s	5 min



## Fully equipped standard

### Powerful, automotive driving

- Robust undercarriage with powerful, quiet engine
- Can pull up to 25 t
- Maximum driving convenience with parking brake and automatic brake release
- Driver assist systems to
- automatically detect and switch direction of travel and direction of steering
- Top stability thanks to 8 tires

### Small ballast - compact dimensions

- Low front and rear radius for optimal maneuverability, especially in tight spaces
- High safe working loads with low deadweight

### Optimal power

- Powerful drives for high driving and handling performance, even for blended movements
- Large hydraulics and perfectly tuned cooling for ideal working conditions

### Green Efficiency

- Complies with Emission Tier IV, DEF clean exhaust technology
- Economical thanks to EcoMode, automatic idle and automatic start-stop



## Rear boom

**Ideal weight distribution**  
thanks to middle center of gravity



**Light counterweight**  
is more than enough



**Less weight**  
for accelerating and braking



**Less deadweight for driving**  
= save up to 20% more fuel

## **Perfect overview**

- Stable cab height elevation up to 1.0 m or 1.5 m (option)
- Rear boom gives unobstructed view from cab
- Right and rearview cameras

## **Maximum safety**

- Robust, all-round protective grating for cab
- Safe access to cab and upper-carriage thanks to stable grip handles and no-slip surfaces
- Sliding door for convenience and safety
- Stable railing on uppercarriage



The premium cab.



## Equipment features

- optimal indoor climate with automatic climate control, partly tinted windows
- comfortable even temperature distribution via 9 air vents
- air-suspension comfort seat, seat heater
- Safe access via sliding door
- Ergonomically arranged operating controls
- 12 V, 24 V, and USB charging sockets, cellphone holder, document folder
- Numerous options: electric cooling box behind the operator seat, slip covers, seat climate control
- Non-slip steps for safe access to the machine
- Robust all-round protective grating as standard
- Panoramic view
- Comfortable working environment thanks to low noise emissions

## SENNEBOGEN-Joysticks

- Ergonomic joystick and consoles that move with the seat
- Comfortable grip thanks to ergonomic design
- Direct, sensitive control of all functions
- Quicker access thanks to optimized design of buttons and switches





# **730E** Maintenance and service made easy.



## **Optimized for maintenance**

- Quick and easy diagnosis thanks to straightforward and clearly labeled electrical distributor
- Easy access to all the machine's service points
- Automatic central lubrication for equipment and slewing ring



## **SENNEBOGEN Hydro Clean\***

- Optimal protection of hydraulic components thanks to 3 μm micro-filter
- Cleaner hydraulic oil, extended oil service life



## **Central measuring points**

- Easily accessible
- Quick inspection of the entire hydraulic system



## **Clear labeling**

- All parts labeled with a unique part number
- Easy and reliable spare parts ordering

\* optional

# 730E Technical data, equipment

## MACHINE TYPE

Model (type) **730**

## ENGINE

Power **164 kW at 2,000 rpm (Stage IIIa)**  
**168 kW at 2,200 rpm (Stage V)**  
**186 kW at 2,000 rpm (Stage V, operating point)**

Model **Cummins QSB 6.7 – C220 Stage IIIa/V**  
**Cummins B 6.7 – Stage V**  
 Direct injection, turbo-charged, charge air cooler, reduced emissions, Eco Mode, automatic idle, automatic stop

Cooling Water-cooled, cooler fan reversal

Diesel filter With water separator and heating system

Air filter Dry filter with integrated pre-separator, automatic dust discharge, main element and safety element, contamination indicator

Fuel tank **450 l**

DEF tank **45 l**

Electrical system **24 V**

Batteries **2x 150 Ah** cold-start high-performance batteries

Options

- Engine block heater
- Electric fuel pump
- Jump-start terminals

## UPPERCARRIAGE

Design Torsion-resistant box design, precision crafted, steel bushings for boom brackets  
 Extremely service-friendly design, longitudinal engine

Central lubrication Automatic central lubrication for equipment and slewing gear raceway

Electrical system Central electrical distributor, battery disconnect switch

Cooling system 3-circuit cooling system with high cooling output, thermostatically regulated fan drive for oil cooler and water cooler, fan reversal for cleaning

Safety Right and rear cameras, emergency control of main functions

Options

- Slewing gear brake via foot pedal
- LED lighting package
- Fire extinguisher
- Electric heater for hydraulic tank
- Low temperature package
- 360° uppercarriage railing

## HYDRAULIC SYSTEM

Load sensing/LUDV hydraulic system, hydraulic pilot-controlled work functions, load limit sensing control

Pump type Swashplate-type variable-displacement piston pump, load pressure-independent flow distribution for simultaneous, independent control of work functions

Pump control Zero-stroke control, on-demand flow control – the pumps only pump as much oil as will actually be used, pressure purging, load limit sensing control

Operating pressure **max. 350 bar**

Filtration High-performance filtration with long change interval

Hydraulic tank **390 l**

Control system Proportional, precision hydraulic actuation of work movements, 2 hydraulic servo joysticks for the work functions, additional functions via switches and foot pedals

Safety Hydraulic circuits with safety valves, secured emergency lowering of the equipment at engine standstill

Options

- 3 µm hydraulic micro-filter - SENNEBOGEN HydroClean
- Bio-oil – environmentally friendly
- ToolControl for programming pressure/rate for up to 10 tools

## SLEWING DRIVE

Gearbox Compact planetary gear with slant-axis hydraulic motor, integrated brake valves

Parking brake Spring-loaded multi-disk brake

Slewing ring External gear slewing ring with 360° protection and pinion gear lubrication

Slewing speed 0–7 rpm, variable



# 730E Technical data, equipment

## CAB MAX CR3

Cab type	Rigid cab height elevation 1 m
Cab equipment	Sliding door, excellent ergonomics, automatic climate control, heated, air-suspension comfort seat, fresh/circulating air filter, joystick control, 12 V/24 V connections, SENCON V2
Cab protection	Strong, all-round protective grating for cab
Options	<ul style="list-style-type: none"> <li>■ Rigid cab height elevation 1.50 m</li> <li>■ Auxiliary heating system with timer</li> <li>■ Active-charcoal outside air filter for cab, ideal for waste recycling</li> <li>■ Steering wheel with adjustable steering column</li> <li>■ Sliding window in operator door</li> <li>■ Armored glass windshield, additional safety</li> <li>■ Armored glass roof window, additional safety</li> <li>■ Safety side window and rear window</li> <li>■ Rolling shade for roof window and windshield</li> <li>■ Radio and CD player with speakers</li> <li>■ Hydraulic folding rigid cab elevation</li> <li>■ Platform next to cab</li> </ul>

## ATTACHMENTS

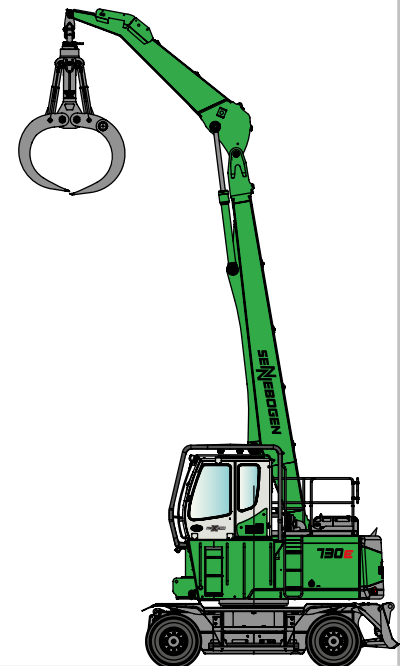
Design	Decades of experience, state-of-the-art computer simulation, highest level of stability, longest service life, large-dimensioned and low-maintenance bearing points, sealed special bearing bushes, precision-crafted, quick-release couplings on the connections - open/close/rotate grapple
Cylinders	Hydraulic cylinders with high-quality sealing and guide elements, end position damping, sealed bearing points, pipe fracture safety valves for the hoist and stick cylinders
Options	<ul style="list-style-type: none"> <li>■ Ball valves on the hydraulic lines Open, close, rotate grapple</li> <li>■ Maritime climate varnishing</li> <li>■ Maritime climate coating of all cylinders, nickel-plated and chrome-plated</li> <li>■ Float position of the equipment</li> <li>■ Hoisting limiter / stick limitation adjustable for stop settings, e.g. in the hall</li> </ul>

## UNDERCARRIAGE

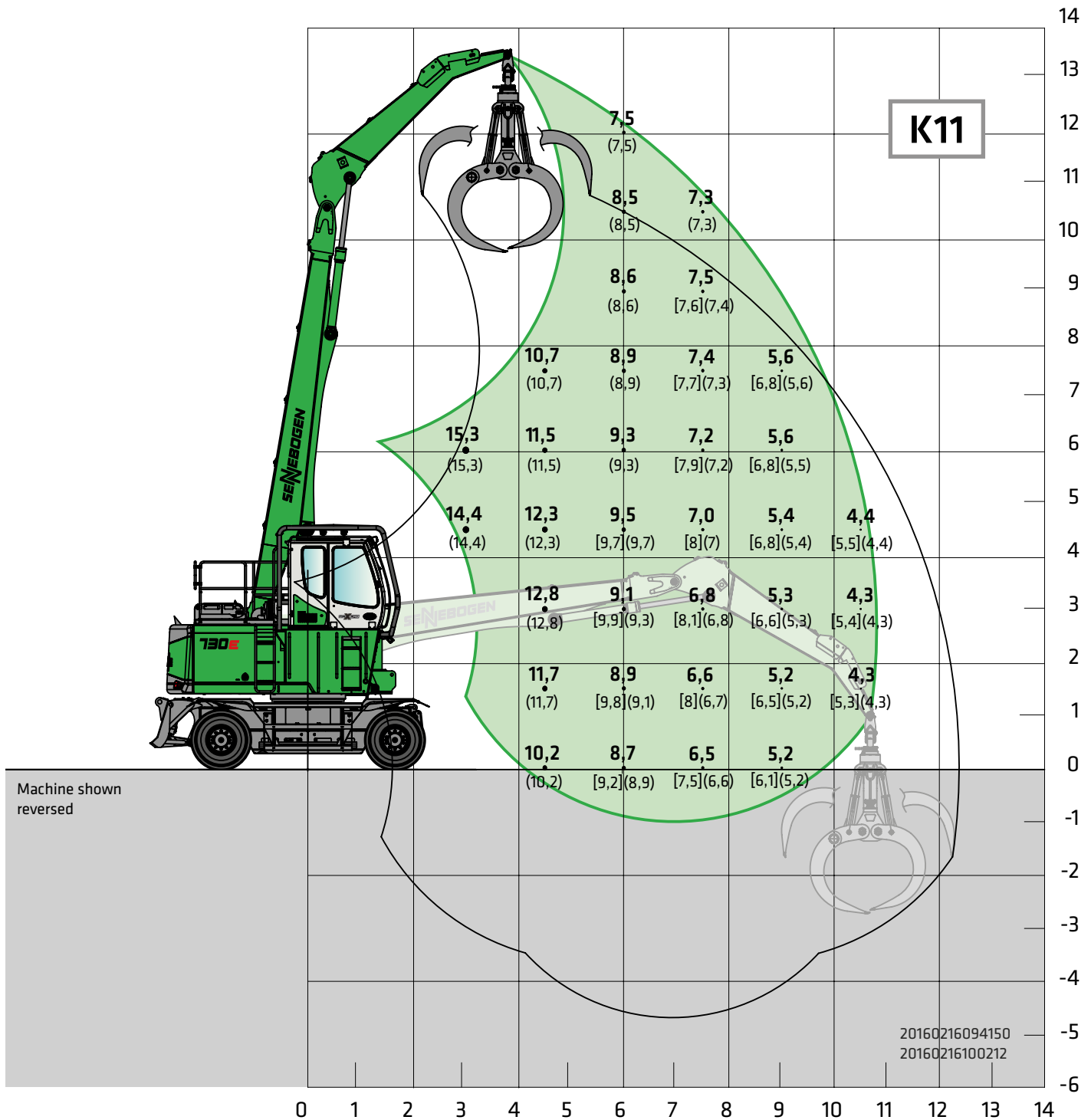
Design	Stable welded construction in box design, Type MF36E
Drive	All-wheel drive powered by a variable-displacement hydraulic motor with direct-mounted, automatically actuated brake valve and 2-stage power shift transmission Planetary axles with integrated steering cylinders, disk service brake in 2-circuit system, automatic central lubrication, steering direction reversal, direction of travel reversal, travel drive protection
Parking brake	Spring-loaded multi-disk brake
Tires	<b>12.00-20</b> , 8x
Speed	<b>0-7 kph</b> level I <b>0-20 kph</b> level II
Options	<ul style="list-style-type: none"> <li>■ Preparation for trailer hitch</li> <li>■ Rear shovel plate</li> <li>■ Fenders</li> </ul>

## OPERATING WEIGHT

Mass	<b>Approx. 34,100 kg</b> Basic machine 730 M with dozer blade, incl 2.0 m <sup>2</sup> grapple
Notice	Operating weight varies by model.



# 730E Load ratings

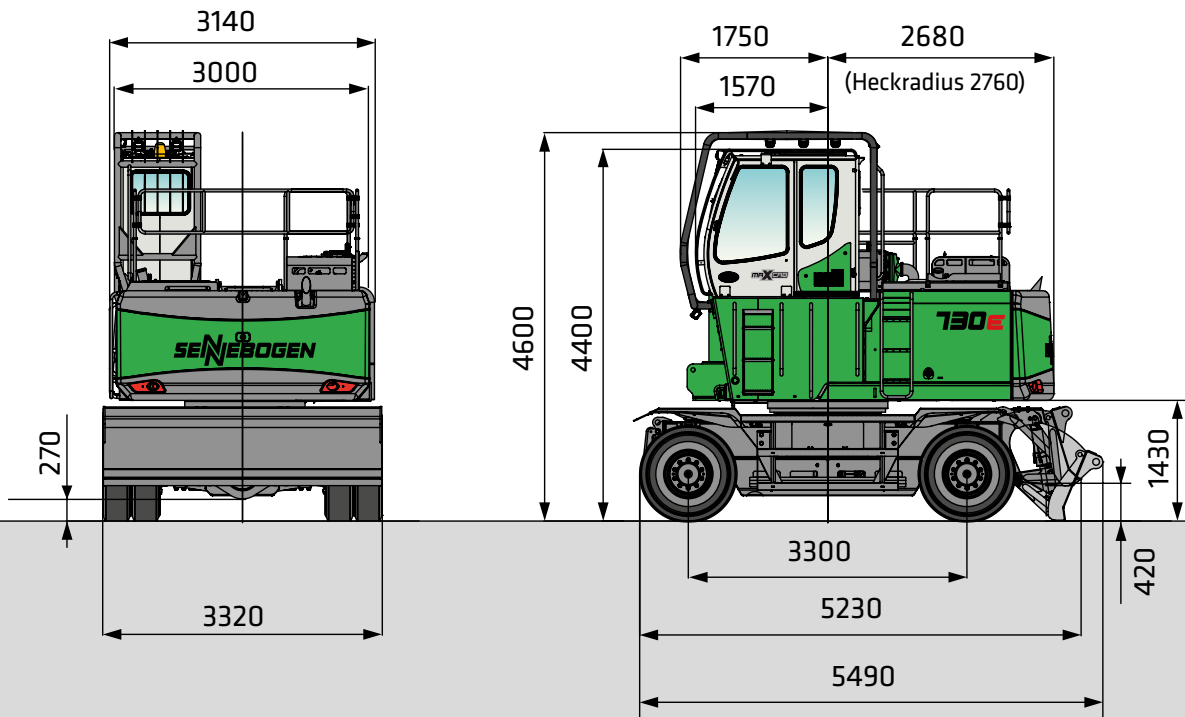


<b>Undercarriage</b>	<b>MF36</b>	<b>Compact boom</b>	<b>8.0 m</b>	<b>Cab</b>	<b>Maxcab, 1 m rigid elevation</b>
		<b>Dipper stick</b>	<b>4.5 m</b>		

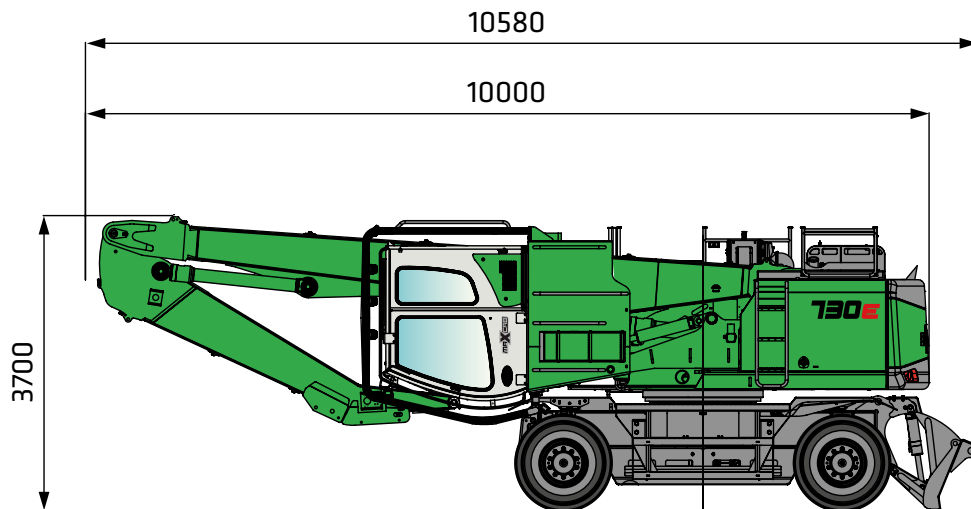
All load ratings are specified in tons (t) and apply at the end of the stick, without attachment, on a load-bearing, solid and level ground. Attachments such as grapple, load hook, et cetera are part of the specified load ratings. The specified values apply to stationary operation at a work range of 360°, on wheels without outrigger support and with blocked pendulum axle. The values in square brackets [ ] apply to stationary operation at an uppercarriage position longitudinal to the undercarriage, on wheels, without outrigger support, and with blocked pendulum axle. In accordance with ISO 10567, these values represent 75% of the static tipping load or 87% of the hydraulic lifting force. The values in parentheses ( ) apply to mobile operation at an uppercarriage position longitudinal to the undercarriage, on wheels, and activated pendulum axle. In accordance with DIN EN 474-5 these values represent 60% of the static tipping load. If the machine is operated in stationary mode in hoist implementation, then in accordance with DIN EN 474-5, the machine must be equipped with pipe fracture safety devices on the hoist cylinders of the boom and an overload warning device.



# 730E Dimensions



730 M with 1 m rigid forward-folding cab, undercarriage type MF36



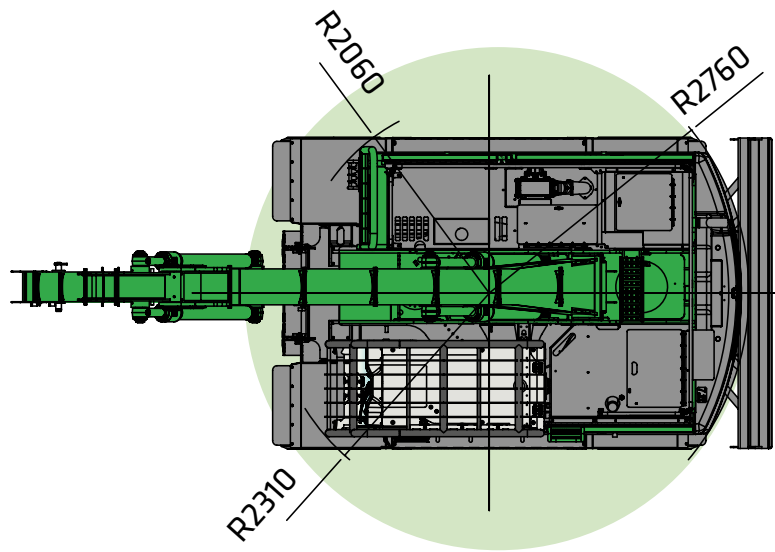
\* Remove front left fender (option) for transport

## 730 M transport dimensions

### Note:

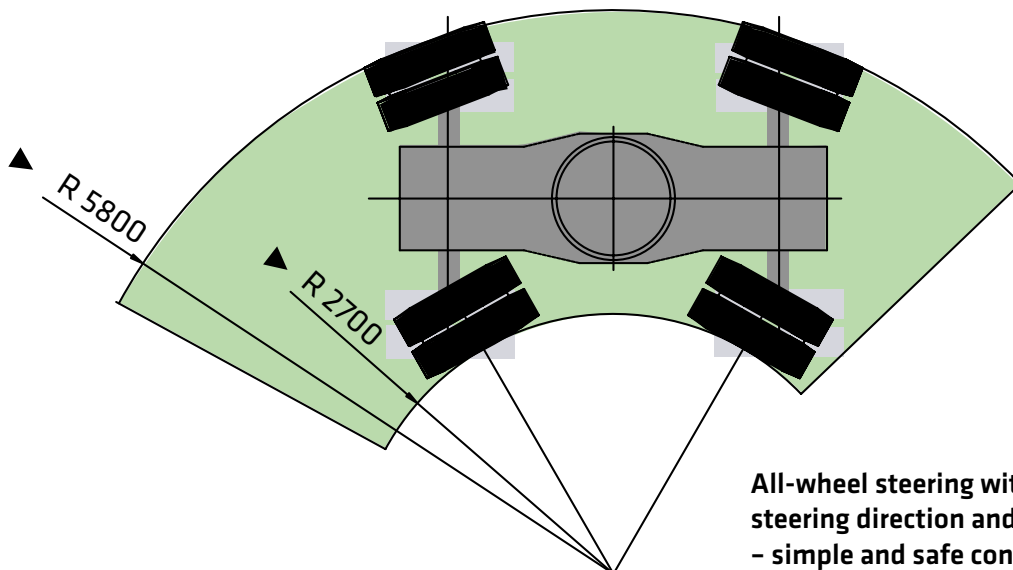
This catalog describes machine models, scopes of equipment of individual models, and configuration options (standard equipment and optional equipment) of the machines delivered by SENNEBOGEN Maschinenfabrik. Machine illustrations can contain optional equipment and supplemental equipment. Actual equipment may vary in a tolerance range depending on the country to which the machines are delivered, especially in regard to standard and optional equipment

# 730E Dimensions



Extremely compact dimension for storage space and less traffic area. Compact uppercarriage dimensions for use in tight spaces. Space-saving, optimal maneuverability and safety.

## 730 M swivel radii



All-wheel steering with reversal of steering direction and travel direction – simple and safe control for maximum efficiency.

## 730 M turning radius



# 730E





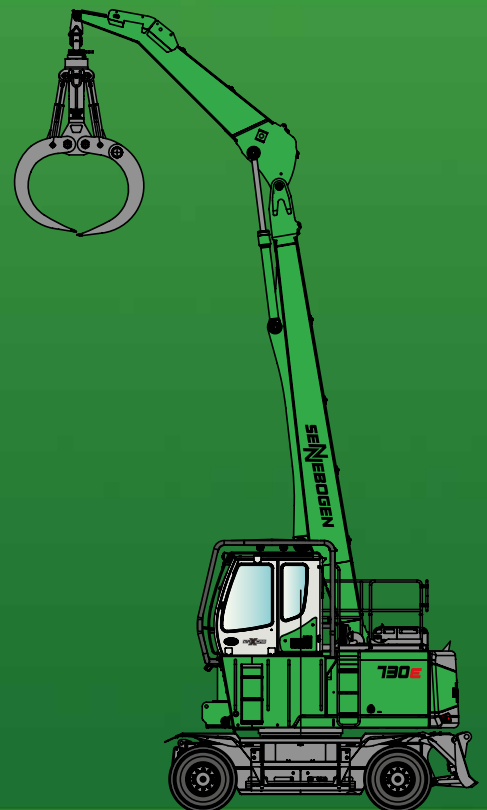








# 730E



This catalog describes machine models, scopes of equipment of individual models, and configuration options (standard equipment and optional equipment) of the machines delivered by SENNEBOGEN Maschinenfabrik. Machine illustrations can contain optional equipment and supplemental equipment. Actual equipment may vary in a tolerance range depending on the country to which the machines are delivered, especially in regard to standard and optional equipment

All product designations used may be trademarks of SENNEBOGEN Maschinenfabrik GmbH or other supplying companies, and any use by third parties for their own purposes may violate the rights of the owners.

Please contact your local SENNEBOGEN sales partner for information concerning the equipment variants offered. Requested performance characteristics are only binding if they are expressly stipulated upon conclusion of the contract. Delivery options and technical features are subject to change. Errors and omissions excepted. Equipment is subject to change, and rights of advancement are reserved.

© SENNEBOGEN Maschinenfabrik GmbH, Straubing/Germany. Reproduction in whole or in part only with written consent of SENNEBOGEN Maschinenfabrik GmbH, Straubing, Germany.

## SENNEBOGEN

**SENNEBOGEN**  
**Maschinenfabrik GmbH**  
Sennebogenstraße 10  
94315 Straubing, Germany

Tel. +49 9421 540-144/146  
marketing@sennebogen.de

Order no. 195274  
730M-041615-051715-101810-092003

GO FOR GREEN

 [www.sennebogen.com](http://www.sennebogen.com)