

SENEBOGEN



224 kW



54,5 t



20 m



MAX CAB

835 E

Crawler material handling machine

TIER IVf

835E Further developed. The E-Series.



1962: Rope-driven S833 with elevated operator cab

The characteristics of the E-Series

- 60 years of experience in the design and construction of hydraulic material handling machines
- Uncompromising high-performance in all areas: Focus on material handling
- Technology that can be mastered: High-quality components and avoidance of over-engineering
- Long product service life and high value retention

Your most important advantages:

1 Green Efficiency
Save fuel - lower operating costs
Calm work - easy on the operator and on the environment



2 Performance at the highest level
Robust mechanical engineering - parts subject to load are optimized
High speeds - high safe working loads

3 Maximum operating comfort
Maxcab comfort cab - relaxed work
SENCON - SENNEBOGEN Control System



4 Maximum safety
Safe entry and exit - non-slip step surfaces
Modern cameras - the entire work area is in view

5 Maintenance and service made easy
Easy fault diagnosis - central measuring points
Easy maintenance - clear markings

6 Consultation and support
3 production locations - 2 subsidiaries
120 Sales Partners - more than 300 service support points





More performance, nevertheless:

- 25% Fuel consumption*
- 90% Nitrogen oxides / TIER 4f
- 90% Soot particles / TIER 4f

*Up to 25% depending on work implementation as compared to the D-Series

835E The E-Series. At a glance.



Save fuel 4 times

- Up to 20% savings: Working in Eco Mode with reduced speed
- Idle automation lowers RPM to 40% of working RPM
- Stop automation switches the engine off, when there is no demand for power
- Optimized engine settings, specific fuel consumption lowered, modern exhaust gas aftertreatment



Quiet work

- Uniformly quiet working machine, thanks to decoupled engine suspension and acoustic insulationmats in the doors 3
- Sound pressure level reduced by as much as 4.5 dB; sound power level in accordance with 2000/14/EC as much as 2 dB lower than required

High-capacity cooling

- Constant, reliable performance due to large-dimensioned and highly-resistant fans and coolers 4
- Water coolers and oil coolers with optimal efficiency thanks to control via axial piston pump and motor thermostatic regulation on-demand
- Charge air cooler with mechanical drive



Maximum safety

- Non-slip work surfaces
- Perimeter railing (optional) **1**
- 2 cameras to the right and to the rear
- Step grid with railing sliding door of the cab **2**

preliminary picture with mobile undercarriage



Intelligent cooler technology

- Standard equipment: Automatic, fast and strong fan reversal for blowing out the coolers and continuous cooling capacity **5**
- Side-by-side coolers, easily accessible and clean cooler technology **6**
- Fuel savings through optimized fan operation

Powerful hydraulic system

- Strong pumps with power reserves
- Highest levels of efficiency thanks to large-dimensioned hydraulic valves and lines **7**
- Extremely long change intervals of 4,000 op.hrs through initial filling with HVLDP oil with extended oil service life when used with SENNEBOGEN HydroClean*

* Option, see page 7

835E The E-Series. Comfort pure.

Comfort cab Maxcab

- Air-suspension comfort seat, with seat heater
- Convenient joystick control,
- Hinged front window
- Sliding door, step grid in front of cab
- Color monitor for camera images to the right and to the rear
- SENNEBOGEN Optimode: Different modes for optimization of performance



Step grid with railing

- Safety when entering and exiting the cab
- Sliding door facilitates entering and exiting



Air conditioning automation

- Work climate is always pleasant, thanks to 10 uniformly distributed fan nozzles
- Easy control via central operating elements



SENCON

- Clear menu
- Determine actual values without additional measurement devices
- Fast troubleshooting thanks to detailed messages

835E Maintenance and service made easy



Maintenance-optimized

- Fast and easy fault diagnostics through the effectively designed and clearly labeled electrical distributor
- Easy accessibility to all service points of the machine
- Automatic central lubrication for equipment and slewingring raceway



HydroClean*

- Optimal protection of hydraulic components thanks to 3 μm micro-filter
- Cleaner hydraulic oil, extended oil service life



Central measuring points

- Easy access, central measuring points
- Fast inspection of the entire hydraulic system



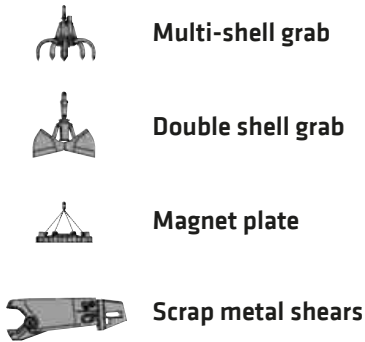
Clear labeling

- All parts are labeled with a unique part number
- Easy and reliable spare parts ordering

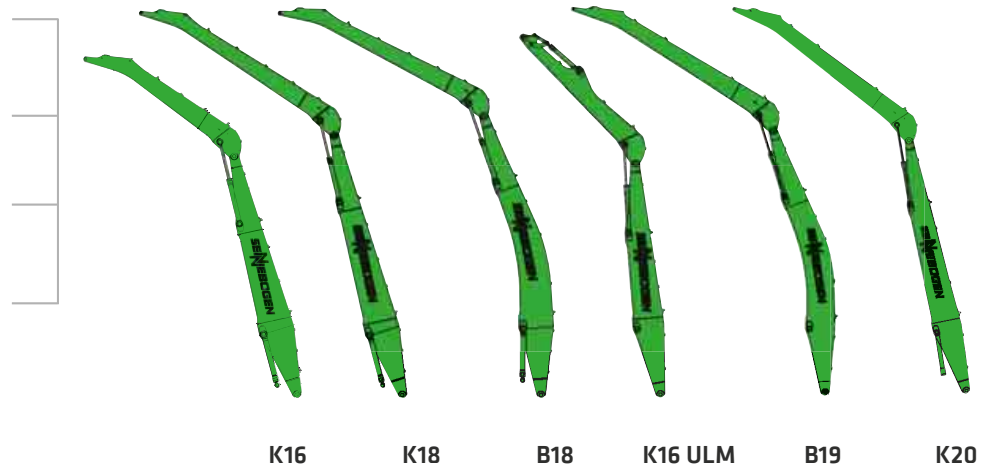
* optional

835E Modular structure - versatile solutions

Attachments



Equipment (additional equipment on request)



Cab elevation



Uppercarriage

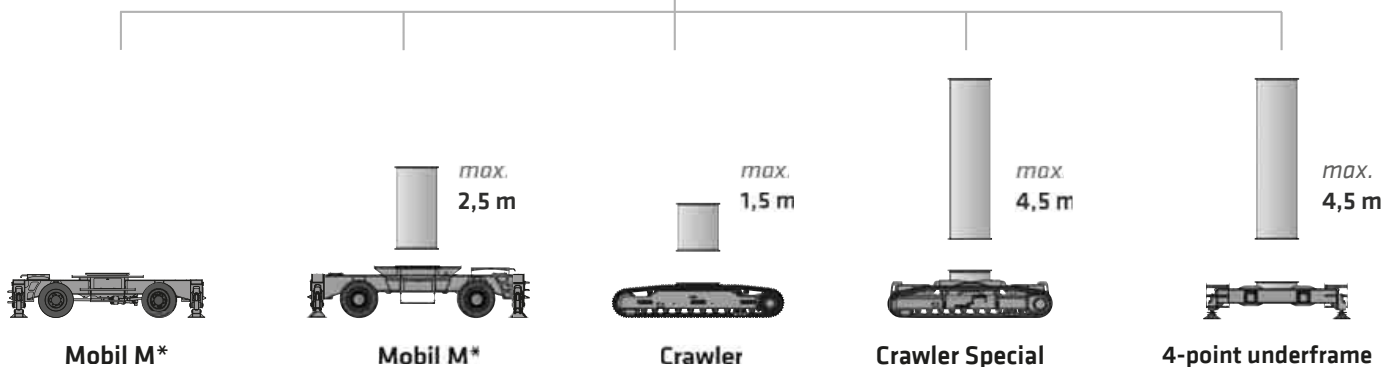


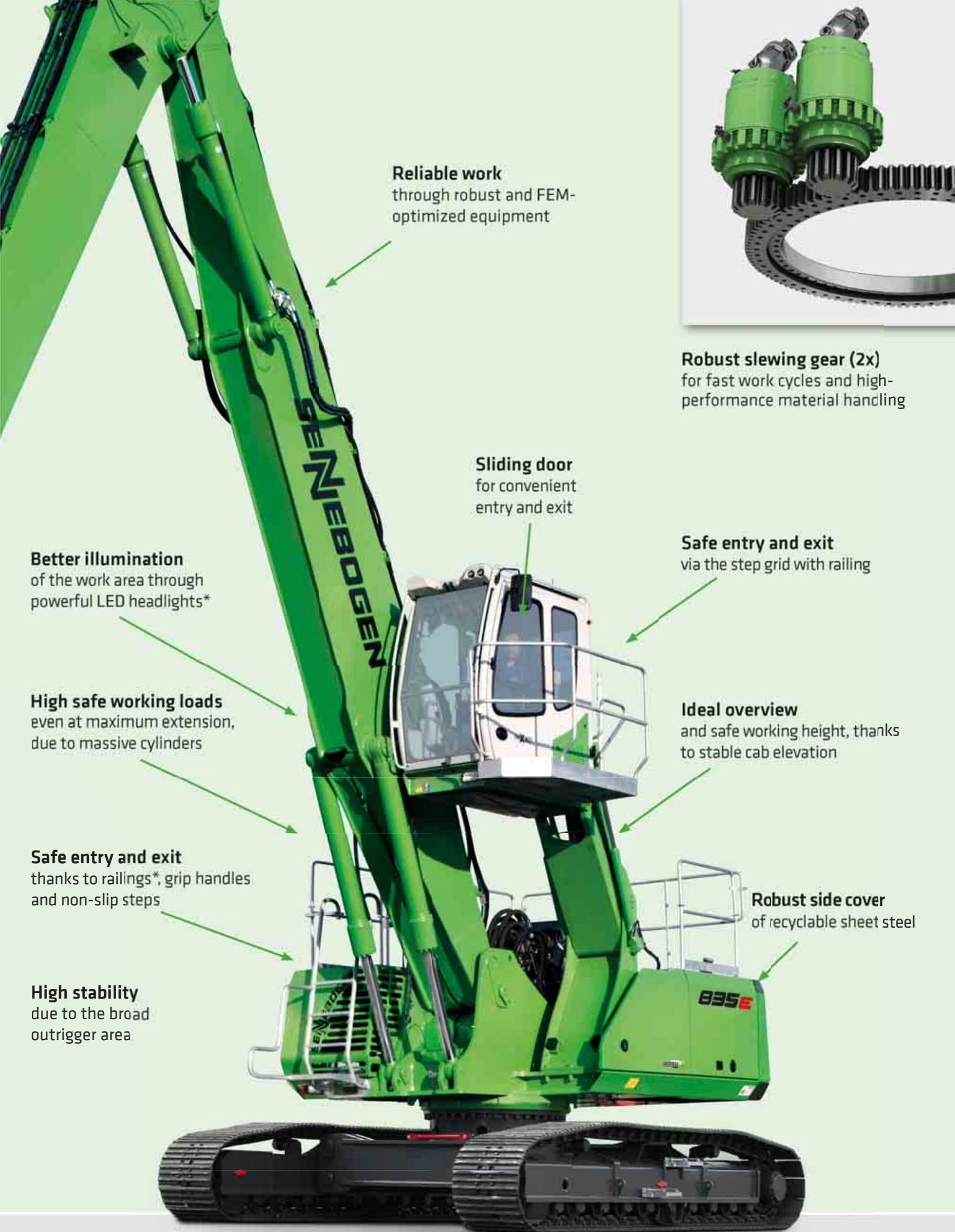
- Diesel-hydraulic drive
- Electro-hydraulic drive
- Magnetic generator

Options

- Engine line drum
- Transformer

Variants - undercarriage





Reliable work
through robust and FEM-
optimized equipment

Robust slewing gear (2x)
for fast work cycles and high-
performance material handling

Sliding door
for convenient
entry and exit

Safe entry and exit
via the step grid with railing

Better illumination
of the work area through
powerful LED headlights*

High safe working loads
even at maximum extension,
due to massive cylinders

Ideal overview
and safe working height, thanks
to stable cab elevation

Safe entry and exit
thanks to railings*, grip handles
and non-slip steps

Robust side cover
of recyclable sheet steel

High stability
due to the broad
outrigger area

* Option

835E Technical data - equipment

MACHINE TYPE

Model (type) **835**

ENGINE

Power **224 kW / 304 hp at 2000 RPM**

Model **Cummins QSL 9-C300 TIER IVf**
Direct injection, turbo charged, charge air cooler, reduced emissions, ECO mode, idle automation, stop automation, fuel pre-warming

Cooling water-cooled, direction of rotation changeover of the cooler fan

Diesel filter with water separator and heater

Air filter Dry filter with integrated pre-separator, automatic dust discharge, main element and safety element, contamination indicator

Fuel tank **625 l**

Electr. system **24 V**

Batteries **2 x 150 Ah**, battery disconnect switch

Options

- Engine block pre-warming at temperatures under -20°C
- Electric fuel pump

UPPERCARRIAGE

Design Torsion-resistant box design, precision crafted, steel bushings for boom bearing arrangement
Extremely service-friendly concept, engine installed in the longitudinal direction

Central lubrication Autom. central lubrication for equipment and slewing gear raceway

Electrical Central electrical distributor, battery disconnect switch

Cooling system 3-circuit cooling system with high cooling output, thermostatically regulated fan drive for oil cooler and water cooler, fan reversal for cleaning

Options

- Slewing gear brake via foot pedal
- Perimeter uppercarriage railing for additional safety
- Light package with LED
- Fire extinguisher
- Maritime climate paint finish as corrosion protection
- Electrical hydraulic tank pre-warming at temperatures under -20°
- Low-temperature package for work deployments at temperatures under -20°C
- Hydraulically-driven magnetic generator 15 kW / 20 kW

HYDRAULIC SYSTEM

Load sensing / LUDV hydraulic system, hydraulic, pilot-controlled work functions, load limit sensing control

Pump type Variable-displacement piston pump in swashplate design, load pressure-independent flow distribution for simultaneous, independent control of work functions

Pump control Zero-stroke control, on-demand flow-control - the pumps only pump as much oil as will actually be used, pressure purging, load limit sensing control

Delivery rate **maximum 740 l/min**

Operating pressure **to 350 bar**

Filtration High-performance filtration with long-term change interval

Hydraulic tank **500 l**

Control system Proportional, precision hydraulic activation of work movements, 2 hydraulic servo joysticks for work functions, supplemental functions via switches and foot pedals

Safety Hydraulic circuits with safety valves, secured emergency lowering of the equipment at engine standstill, pipe fracture safety valves for lift cylinder and stick cylinder

Options

- Bio-oil filling - ecologically worthwhile
- Tool Control for programming up to 10 tools in pressure / rate
- Supplemental hydraulic circuit for shear attachment
- Load moment warning with capacity utilization indicator, e.g. for tasks in halls
- Overload safeguard with overload shut-down e.g. for tasks in halls
- 3 µm hydraulic micro-filter - SENNEBOGEN HydroClean

SLEWING DRIVE

Gearbox Compact planetary gear with slant axis hydraulic motor, integrated brake valves

Parking brake Spring-loaded disk brake

Slewing ring Strong ball race slewing ring, sealed

Slewing speed 0-8 RPM, stepless

835E Technical data - equipment

SENNEBOGEN MAX CRB

| | |
|---------------|---|
| Cab type | Hydraulically elevating cab E270 |
| Cab equipment | Sliding door, excellent ergonomics, climate automation, seat heater, air-suspension comfort seat, fresh air filter / circulating air filter, joystick steering, 12 V / 24 V connections, SENCON |
| Options | <ul style="list-style-type: none"> ■ Cab E300/260 can be elevated 300 cm, and moved forward 260 mm hydraulically ■ Rigid cab elevation 1.00 m ■ Auxiliary heating system with timer ■ Cab active-charcoal filter inside air/outside air, ideal for waste recycling applications ■ Steering wheel steering with adjustable steering column ■ Sliding window in the operator door ■ Armored glass windshield, additional safety ■ Armored glass roof window, additional safety ■ Safety side window ■ Floor window for a better view ■ Sunblind for roof window ■ Protective roof grating ■ FOPS protective roof grating ■ Front protective grating ■ Radio and CD player with speakers ■ Enlarged industrial cab with undivided armored glass windshield |

ATTACHMENTS

| | |
|-----------|--|
| Design | Decades of experience, state-of-the-art computer simulation, highest level stability, longest service life, large-dimensioned bearing points, sealed special bearing bushes, precision-crafted, quick-release couplings on the grapple connections - open/close/rotate |
| Cylinders | Hydraulic cylinders with high-quality sealing and guide elements, end position damping, sealed bearing points |
| Options | <ul style="list-style-type: none"> ■ Ball valves on the hydraulic lines grapple open, close, and rotate grapple ■ Kinematic position II for greater working depth ■ Maritime coating ■ Maritime coating of all cylinders, nickel-plated and chrome-plated ■ Float position for equipment via hoist cylinder ■ Lift limitation / stick limitation adjustable for the stop settings, for example in the hall |

UNDERCARRIAGE

| | |
|----------------|---|
| Design | Wide-gauge crawler undercarriage in stable, torsionally rigid box construction |
| Drive | Hydraulic travel drive, integrated in the traveling gear frame for each traveling gear side through an axial piston motor via compact planetary gear. |
| Parking brake | Spring-loaded, hydraulically ventilated disk brakes. Hydraulic brake valves protect the drive engines when moving downhill. |
| Traveling gear | Telescopic crawler undercarriage type T41/380 with mechanical track adjustment from 2.3 - 3.8 m and maintenance-free B6 crawler track (55 links, length 5350 mm) with 700 mm triple-grouser track shoes, canted |
| Speed | 0 - 1.6 km/h stage I 0 - 3 km/h stage II |
| Options | <ul style="list-style-type: none"> ■ Telescopic crawler undercarriage type T41/380 with hydraulic track adjustment of 2.3 - 3.8 m ■ Maintenance-free B6 crawler track (55 links, length 5350 mm) with 700 mm flat track shoes, rounded ■ Maintenance-free B6 crawler track (55 links, length 5350 mm) with 800 mm triple-grouser track shoes, canted |

ELECTRIC DRIVE eGREEN

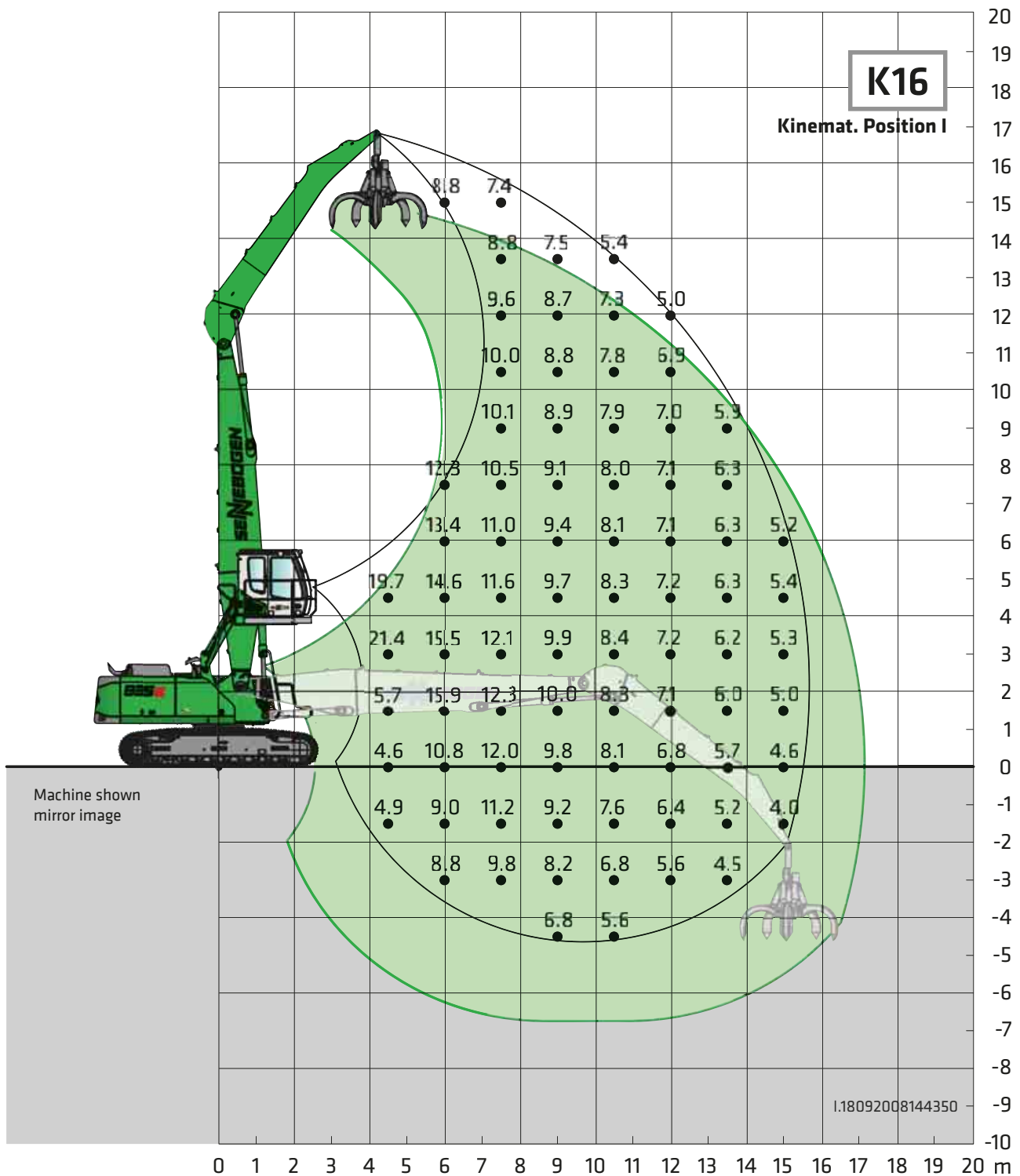
| | |
|--------|--|
| Option | <ul style="list-style-type: none"> ■ Power: 160 kW / 400 volt / 50 Hz Total connected load 270 kVA, customer-provided fusing 355 A at 400 V - motor start-up via star-delta circuit ■ Power: 200 kW / 400 volt / 50 Hz Total connected load 340 kVA, customer-provided fusing 425 A at 500 V - motor start-up via star-delta circuit ■ Advantages: Lowest operating costs, low-noise and virtually vibration-free work, long service life of the hydraulic components |
|--------|--|

OPERATING WEIGHT

| | |
|------|--|
| Mass | approximately 54,500 kg Basic machine 835 R with attachment K18 and 600 l multi-shell grab |
| Note | The operating weight varies depending on the design. |



835E Technical data, equipment



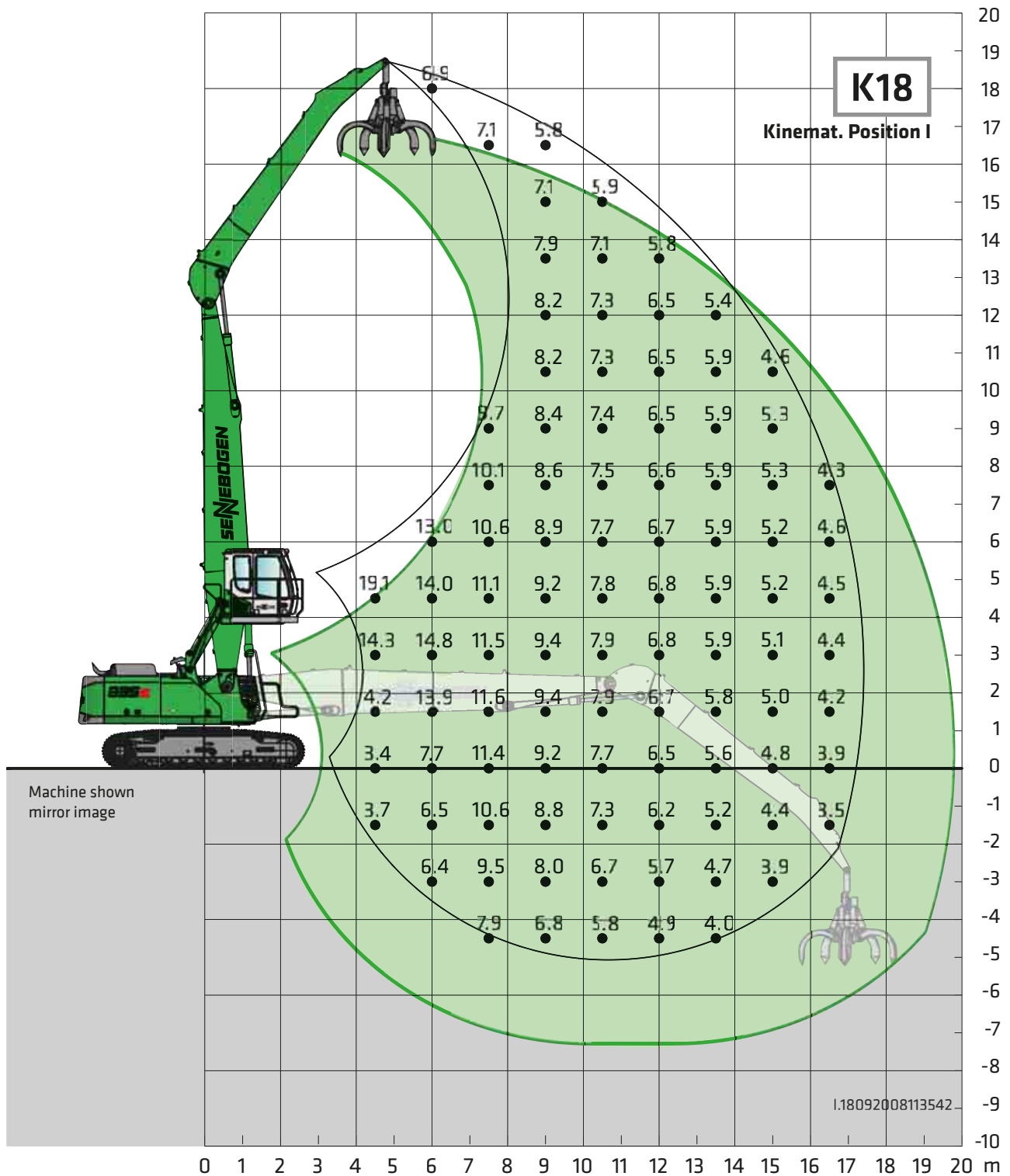
Undercarriage T41/380 - R44D/380

Compact boom 9,1 m
Loading stick 6,9 m

Cab maXcab E270,
hydraulically elevating

All load ratings are specified in tons (t) and apply at the end of the stick, without attachment, on a solid, level substrate. Attachments, such as grapple, magnet, load hook, et cetera are part of the specified load ratings. The specified values are 75% of the static tipping load or 87% of the hydraulic lifting force, in accordance with ISO 10567. In accordance with the EU standard, EN 474-5, material handling machines in hoist operation must be equipped with pipe fracture safety devices on the hoist cylinders and an overload warning device. The specified load ratings apply for the machine supported with 4-point claw support and slewable 360°. The specified load ratings in square brackets [] apply with blocked pendulum axle, unsupported, free standing, slewable 360°.

835E Technical data, equipment



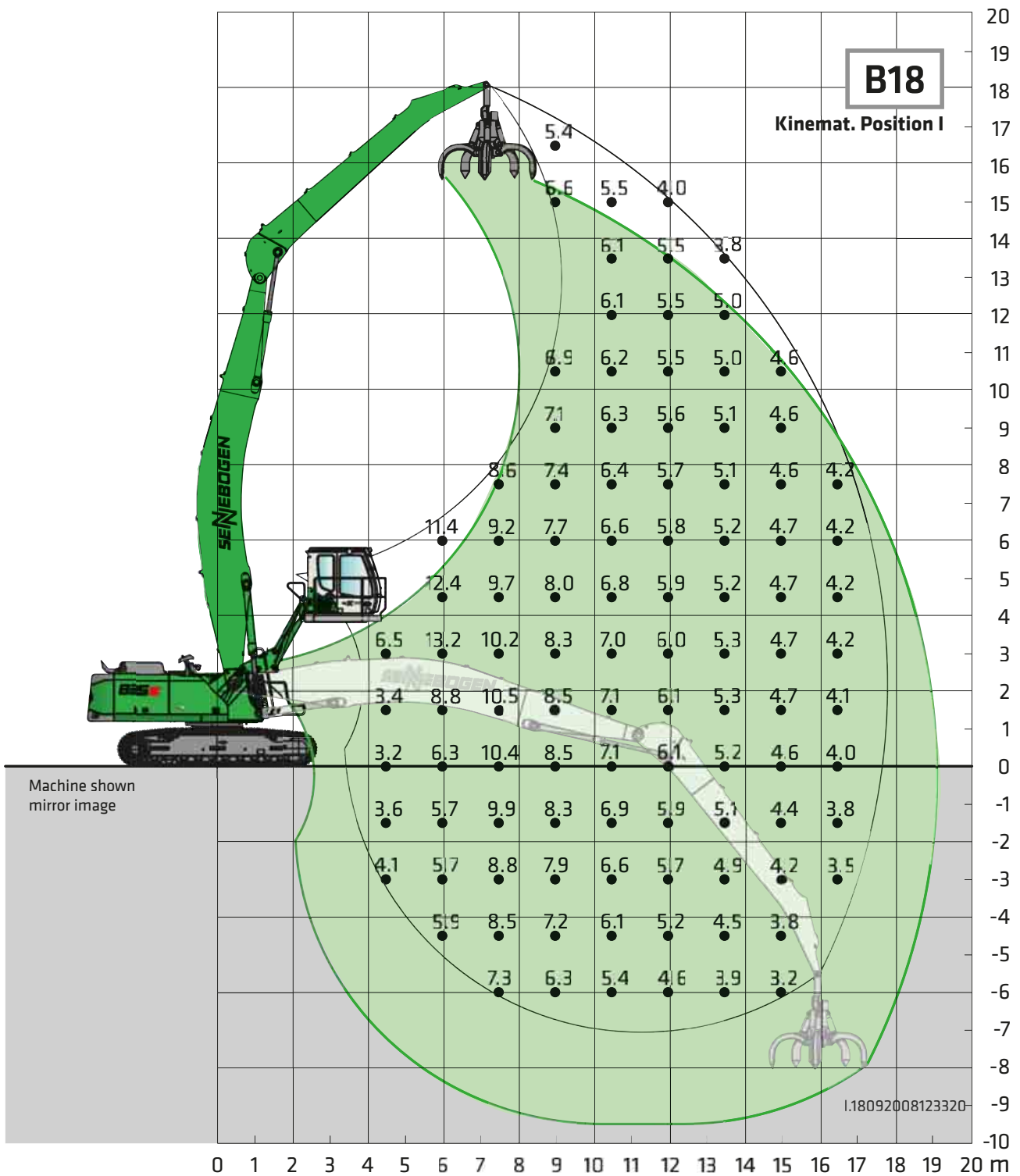
Undercarriage T41/380 - R44D/380

Compact boom 10,1 m
Loading stick 7,9 m

Cab maXcab E270,
hydraulically elevating

All load ratings are specified in tons (t) and apply at the end of the stick, without attachment, on a solid, level substrate. Attachments, such as grapple, magnet, load hook, et cetera are part of the specified load ratings. The specified values are 75% of the static tipping load or 87% of the hydraulic lifting force, in accordance with ISO 10567. In accordance with the EU standard, EN 474-5, material handling machines in hoist operation must be equipped with pipe fracture safety devices on the hoist cylinders and an overload warning device. The specified load ratings apply for the machine supported with 4-point claw support and slewable 360°. The specified load ratings in square brackets [] apply with blocked pendulum axle, unsupported, free standing, slewable 360°.

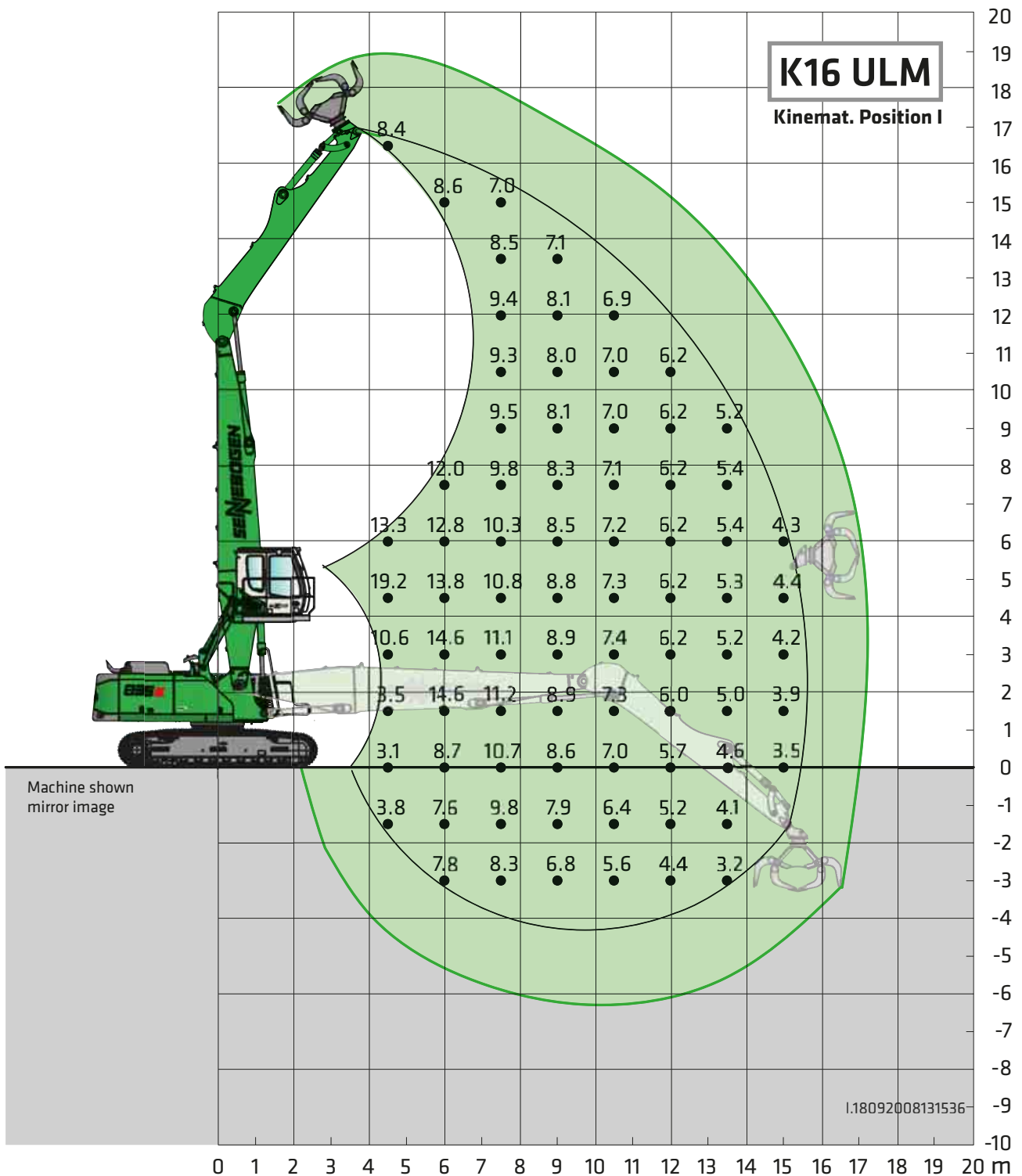
835E Technical data, equipment



Undercarriage T41/380 - R44D/380 **Compact boom** 10,8 m Banana **Cab** maXcab E300/260, hydraulic elevating and forward moving (Option)
Loading stick 7,9 m

All load ratings are specified in tons (t) and apply at the end of the stick, without attachment, on a solid, level substrate. Attachments, such as grapple, magnet, load hook, et cetera are part of the specified load ratings. The specified values are 75% of the static tipping load or 87% of the hydraulic lifting force, in accordance with ISO 10567. In accordance with the EU standard, EN 474-5, material handling machines in hoist operation must be equipped with pipe fracture safety devices on the hoist cylinders and an overload warning device. The specified load ratings apply for the machine supported with 4-point claw support and slewable 360°. The specified load ratings in square brackets [] apply with blocked pendulum axle, unsupported, free standing, slewable 360°.

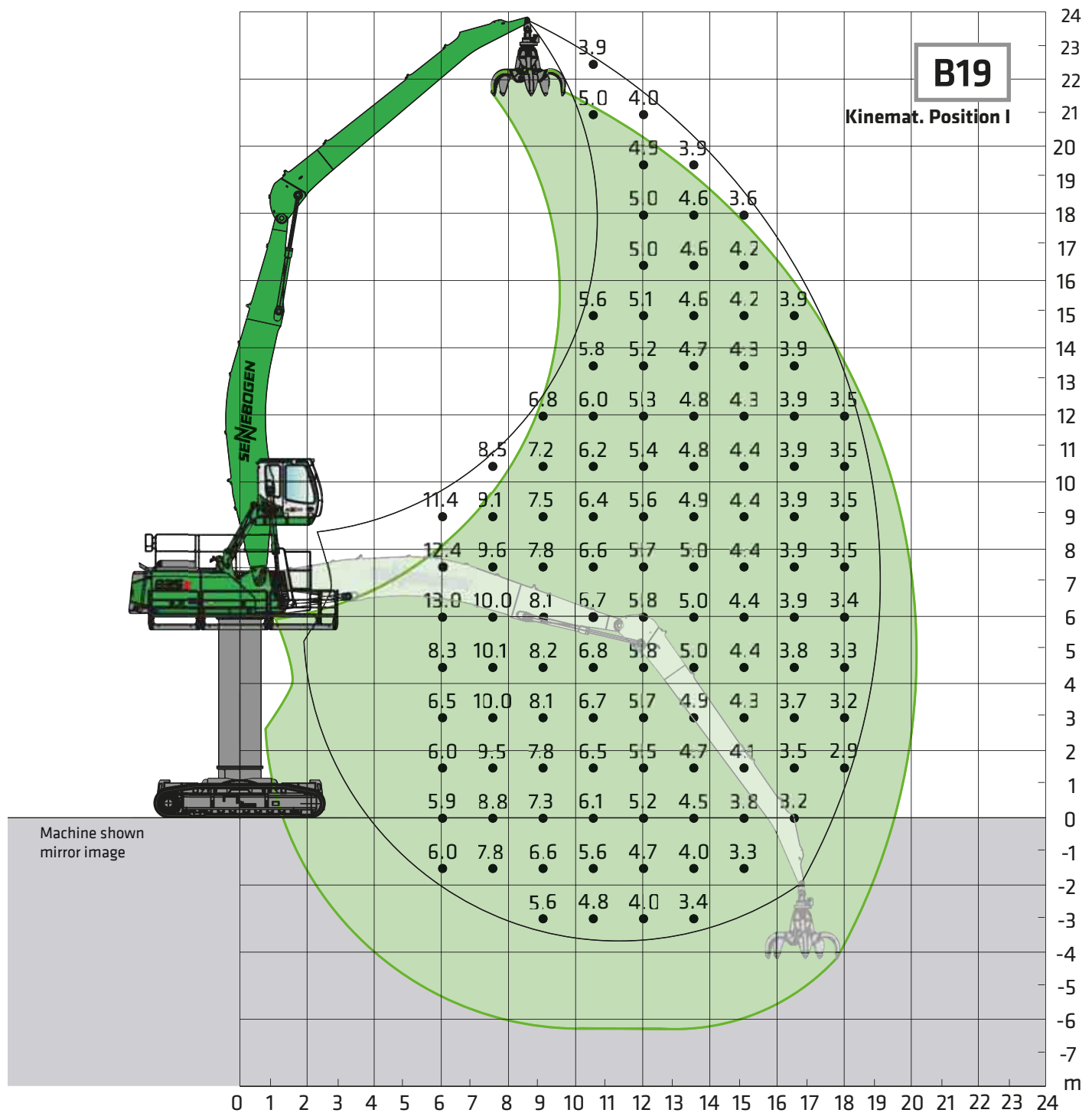
835E Technical data, equipment



Undercarriage T41/380 - R44D/380 **Compact boom** **9,1 m** **Cab** **maXcab E270,**
Loading stick **6,6 m ULM** **hydraulically elevating**

All load ratings are specified in tons (t) and apply at the end of the stick, without attachment, on a solid, level substrate. Attachments, such as grapple, magnet, load hook, et cetera are part of the specified load ratings. The specified values are 75% of the static tipping load or 87% of the hydraulic lifting force, in accordance with ISO 10567. In accordance with the EU standard, EN 474-5, material handling machines in hoist operation must be equipped with pipe fracture safety devices on the hoist cylinders and an overload warning device. The specified load ratings apply for the machine supported with 4-point claw support and slewable 360°. The specified load ratings in square brackets [] apply with blocked pendulum axle, unsupported, free standing, slewable 360°.

B35E Technical data, equipment



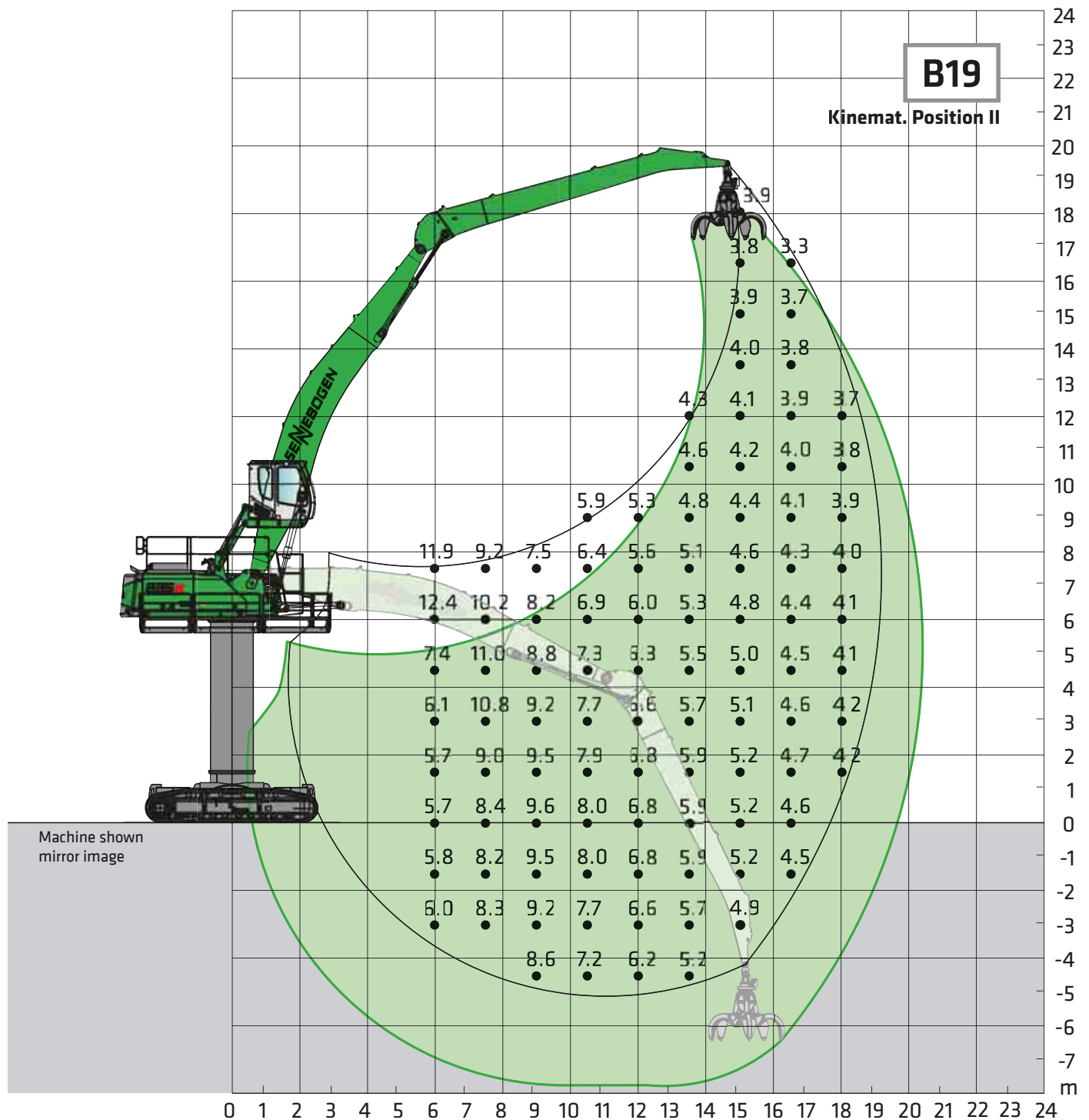
Undercarriage R44D/380
Pylon 4,5 m

Compact boom 10,8 m
Loading stick 9,4 m

Cab maXcab E270,
hydraulically elevating

All load ratings are specified in tons (t) and apply at the end of the stick, without attachment, on a solid, level substrate. Attachments, such as grapple, magnet, load hook, et cetera are part of the specified load ratings. The specified values are 75% of the static tipping load or 87% of the hydraulic lifting force, in accordance with ISO 10567. In accordance with the EU standard, EN 474-5, material handling machines in hoist operation must be equipped with pipe fracture safety devices on the hoist cylinders and an overload warning device. The specified load ratings apply for the machine supported with 4-point claw support and slewable 360°. The specified load ratings in square brackets [] apply with blocked pendulum axle, unsupported, free standing, slewable 360°.

835E Technical data, equipment



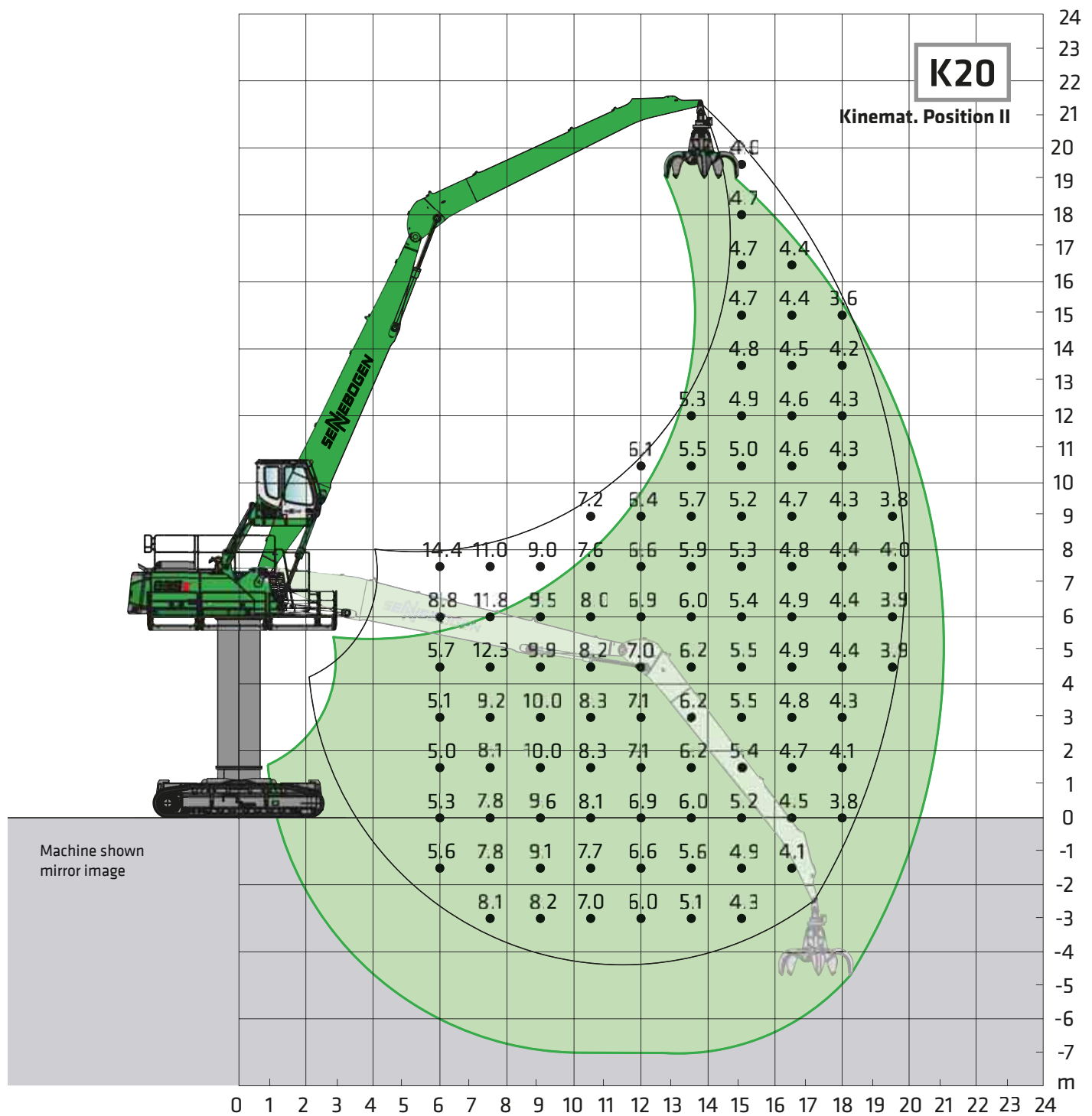
Undercarriage R44D/380
Pylon 4,5 m

Compact boom 10,8 m
Loading stick 9,4 m

Cab maXcab E270,
hydraulically elevating

All load ratings are specified in tons (t) and apply at the end of the stick, without attachment, on a solid, level substrate. Attachments, such as grapple, magnet, load hook, et cetera are part of the specified load ratings. The specified values are 75% of the static tipping load or 87% of the hydraulic lifting force, in accordance with ISO 10567. In accordance with the EU standard, EN 474-5, material handling machines in hoist operation must be equipped with pipe fracture safety devices on the hoist cylinders and an overload warning device. The specified load ratings apply for the machine supported with 4-point claw support and slewable 360°. The specified load ratings in square brackets [] apply with blocked pendulum axle, unsupported, free standing, slewable 360°.

835E Technical data, equipment



Undercarriage R44D/380
Pylon 4,5 m

Compact boom 10,8 m
Loading stick 9,4 m

Cab maXcab E270,
hydraulically elevating

All load ratings are specified in tons (t) and apply at the end of the stick, without attachment, on a solid, level substrate. Attachments, such as grapple, magnet, load hook, et cetera are part of the specified load ratings. The specified values are 75% of the static tipping load or 87% of the hydraulic lifting force, in accordance with ISO 10567. In accordance with the EU standard, EN 474-5, material handling machines in hoist operation must be equipped with pipe fracture safety devices on the hoist cylinders and an overload warning device. The specified load ratings apply for the machine supported with 4-point claw support and slewable 360°. The specified load ratings in square brackets [] apply with blocked pendulum axle, unsupported, free standing, slewable 360°.

B35E Grab recommendation

Multi-shell grab SGM (4 shells)



| Design / size | Grab content | Weight ¹ | | max. load capacity |
|---------------|--------------|--------------------------|------|--------------------|
| | | Shell shape ² | | |
| | | HO | G | |
| SGM | l | kg | kg | t |
| 400.40-4 | 400 | 1570 | 1720 | 8,0 |
| 600.40-4 | 600 | 1600 | 1790 | |
| 800.40-4 | 800 | 1685 | 1930 | |
| 1000.40-4 | 1000 | 1755 | 2085 | |
| 1250.40-4 | 1250 | 1850 | 2200 | |

Multi-shell grab SGM (5 shells)



| Design / size | Grab content | Weight ¹ | | max. load capacity |
|---------------|--------------|--------------------------|------|--------------------|
| | | Shell shape ² | | |
| | | HO | G | |
| SGM | l | kg | kg | t |
| 400.40 | 400 | 1820 | 1920 | 8,0 |
| 600.40 | 600 | 1910 | 2035 | |
| 800.40 | 800 | 1960 | 2140 | |
| 1000.40 | 1000 | 2040 | 2290 | |
| 1250.40 | 1250 | 2180 | 2415 | |

Double shell grab SGZ



| Design / size | Grab content | Weight ¹ | max. payload |
|---------------|--------------|---------------------|--------------|
| SGZ | l | kg | t |
| 1500.50 | 1500 | 1989 | 8,0 |
| 2000.50 | 2000 | 2246 | |
| 2500.50 | 2500 | 2345 | |
| 3000.50 | 3000 | 2532 | |
| 4000.50 | 4000 | 2880 | |
| 3000.50 L | 3000 | 2140 | 8,0 |
| 3500.50 L | 3500 | 2260 | |
| 4000.50 L | 4000 | 2480 | |
| 4500.50 L | 4500 | 2600 | 8,0 |
| 1500.50 HD | 1500 | 2240 | |
| 2000.50 HD | 2000 | 2535 | |

Magnetic plates



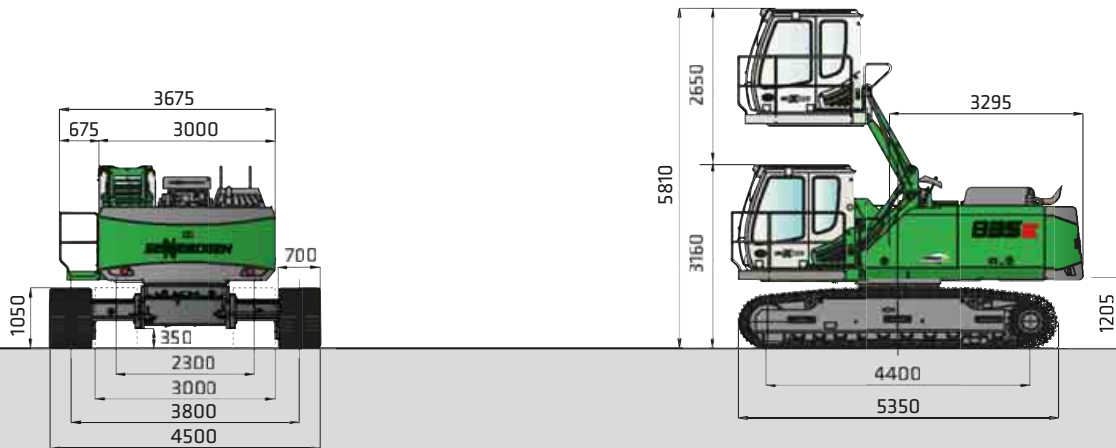
| Type series / model | Power | Deadweight | Break-away force | Load-bearing in kg |
|---|-------|------------|------------------|--------------------------|
| WOKO | kW | kg | kN | Bramme (safety factor 2) |
| S-RSL 15 | 12,2 | 1950 | 360 | 1800 |
| S-RSL 17 | 17,0 | 2500 | 460 | 2300 |
| S-RLB 13,5 | 10,0 | 1700 | 300 | 15000 |
| S-RLB 15 | 11,7 | 2400 | 380 | 19000 |
| S-RLB 17 | 17,8 | 3300 | 640 | 32000 |
| Recommended magnetic generator: 15 kW / 20 kW | | | | |

*) On request

) Weight information without grab suspension, stick bolts, hose system

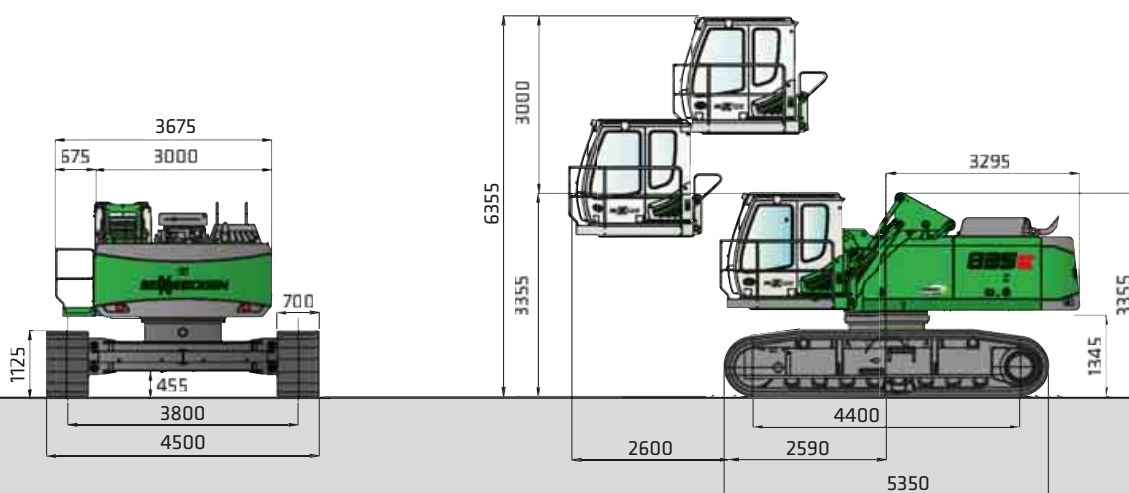
) Half-open shells: Shell sheet steel 400 mm wide, from content 1250 l shell sheet steel 500 mm wide

835E Dimensions



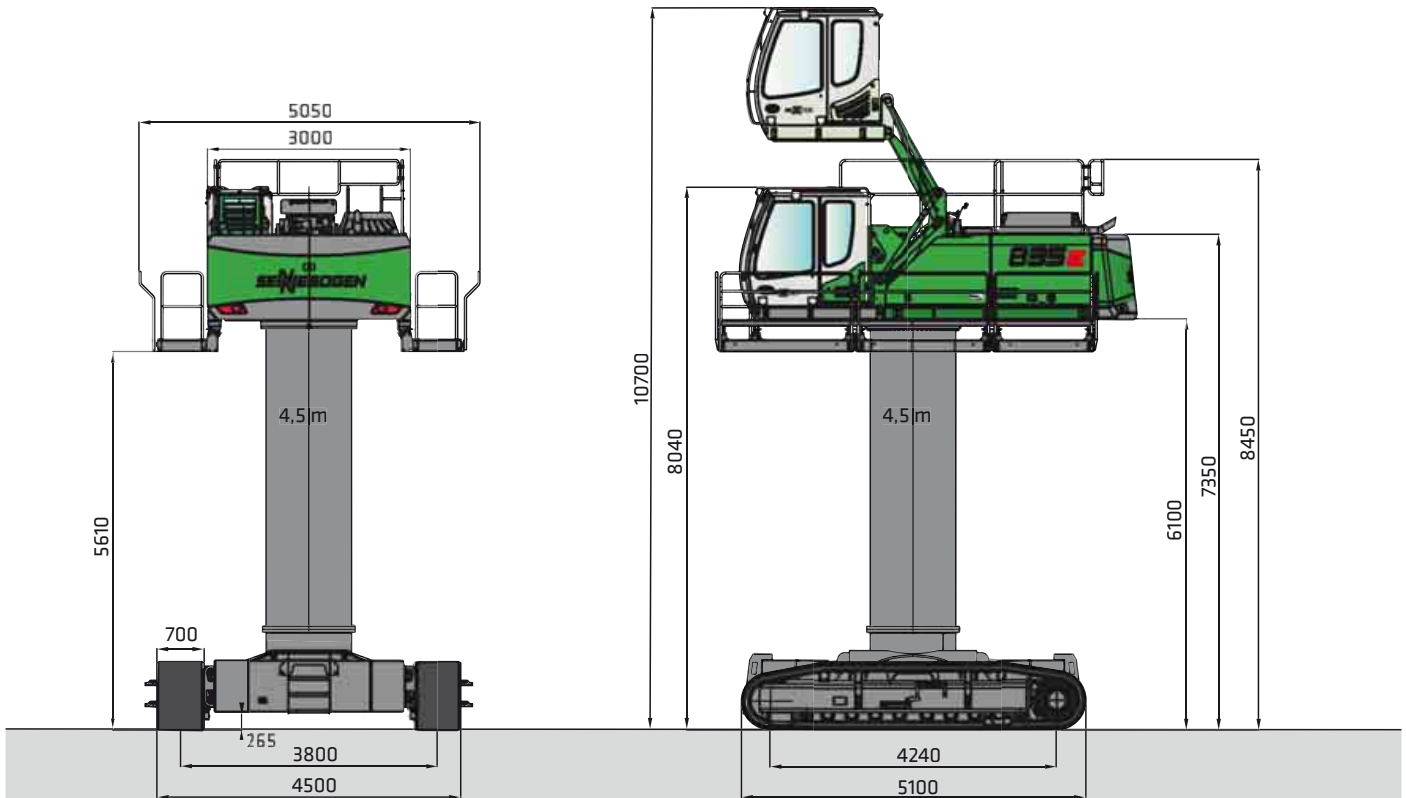
Transport width 3000 mm

835 R with hydraulic telescopic undercarriage T41/380 and hydraulic elevating cab E270

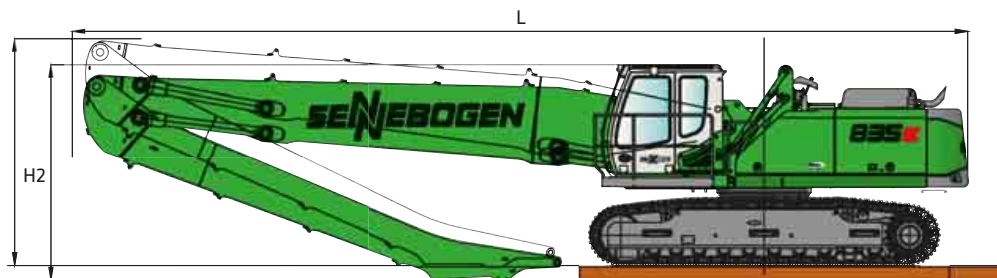


835 R with wide gauge undercarriage R44D/380 and hydraulic elevating and forward moving cab E300/260

835E Dimensions



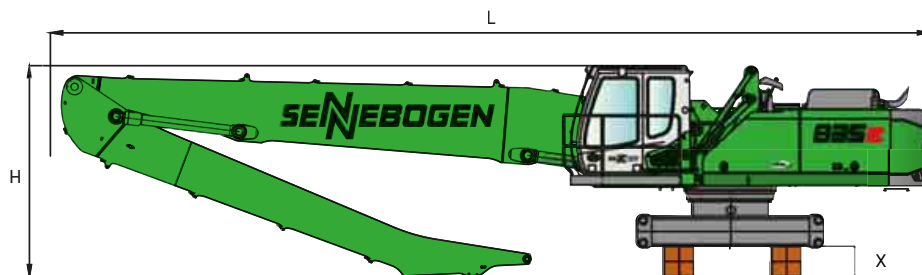
835 R with wide gauge undercarriage R44D/380, 4,5m Pylon and hydraulic elevating cab type E270



Transport dimensions 835 R with undercarriage type T41/380

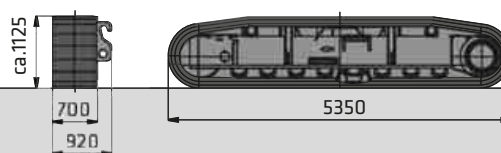
| | Loading boom | Grabstick | Transport length (L) | Transport height (H2) | Transport height (H1) | Transport height (X) |
|---------|---------------|-----------|----------------------|-----------------------|-----------------------|----------------------|
| K16 | 9,1 m | 6,9 m | 13,5 m | 3,20 m | - | - |
| K18 | 10,1 m | 7,9 m | 14,5 m | 3,90 m | 3,50 | 0,20 m |
| B18 | 10,8 m Banana | 7,9 m | 15,1 m | 3,45 m | - | - |
| K16 ULM | 9,1 m | 6,6 m | 13,5 m | 3,80 m | 3,45 | 0,20 m |

835E Transport dimensions

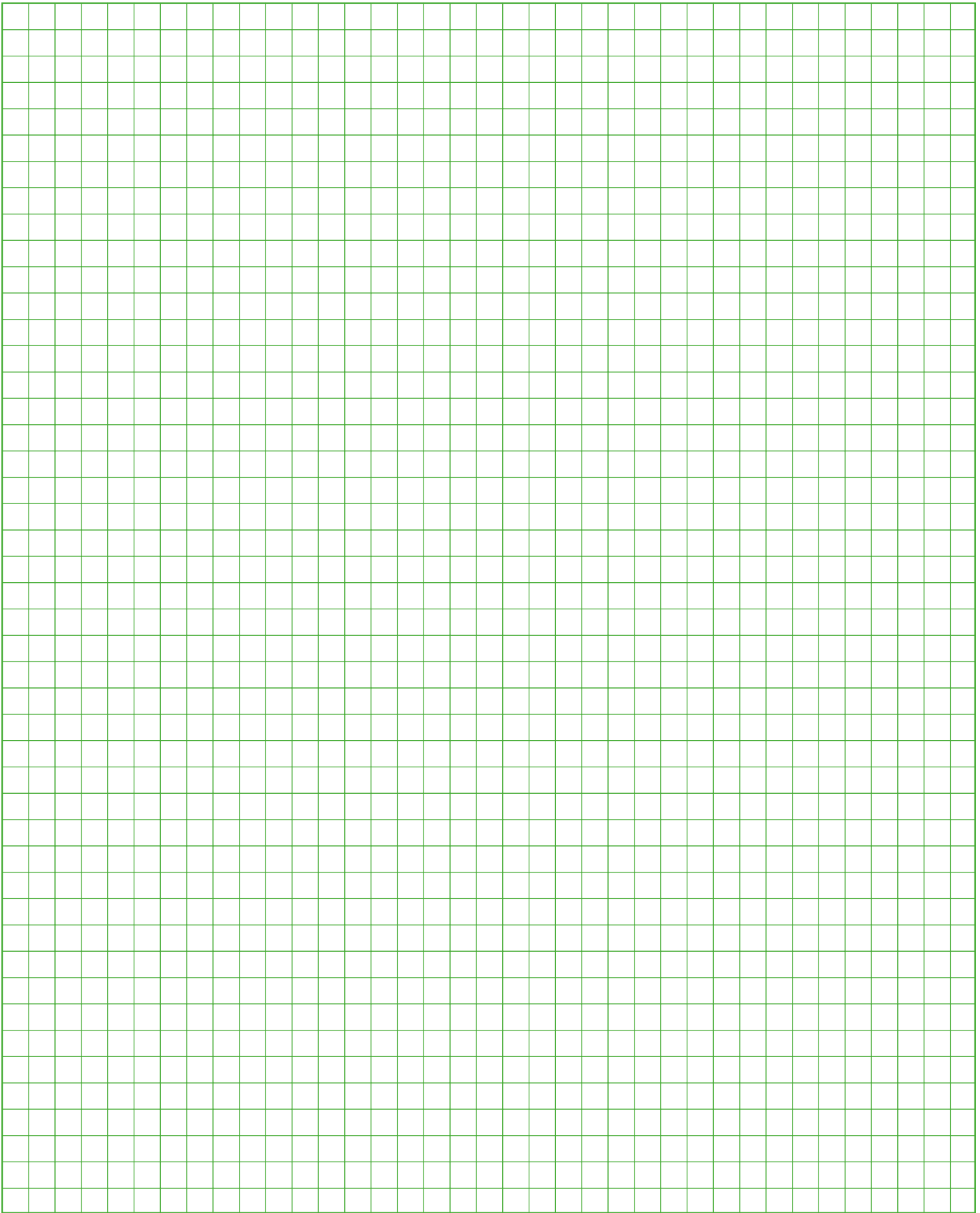


Transport dimensions 835 R with undercarriage type R44D/380

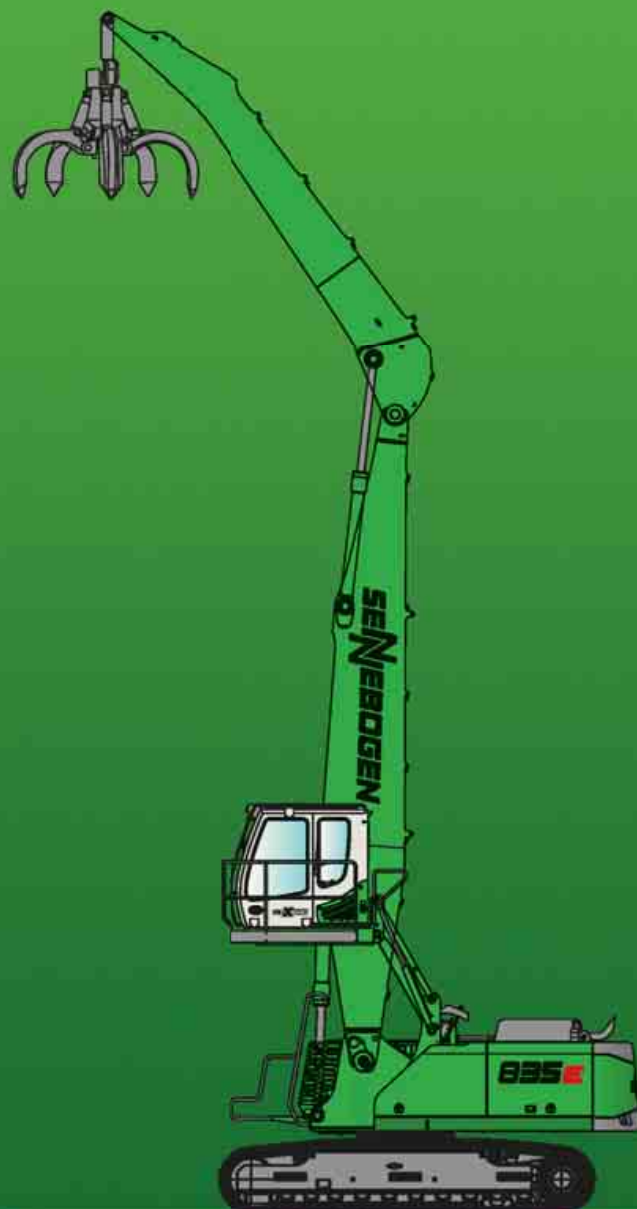
| | Loading boom | Grabstick | Transport length (L) | Transport height (H) | Transport height (X) |
|----------------|---------------|-----------|----------------------|----------------------|----------------------|
| K16 | 9,1 m | 6,9 m | 13,4 m | 3,45 m | 0,25 m |
| K18 | 10,1 m | 7,9 m | 14,4 m | 3,45 m | 0,50 m |
| B18 | 10,8 m Banana | 7,9 m | 15,1 m | 3,45 m | 0,25 m |
| K16 ULM | 9,1 m | 6,6 m | 13,4 m | 3,45 m | 0,50 m |



Crawler, B6 crawler R44D/380 with 700 mm track shoes, weight approx. 6.850 kg - 2 pieces



B35E R



This catalog describes machine models, the scope of equipment of individual models, and configuration possibilities (standard equipment and optional equipment) of the machines delivered by SENNEBOGEN Maschinenfabrik. Machine illustrations can contain optional equipment and supplemental equipment. Depending on the country in which the machines are delivered, deviations from the equipment are possible, particularly with regard to standard equipment and optional equipment.

All product designations used can be trademarks of SENNEBOGEN Maschinenfabrik GmbH, or trademarks of other supplying companies, the use of these trademarks by third parties for purposes of the third party can violate the rights of the owners.

Please contact your local SENNEBOGEN sales partner for information concerning the equipment variants offered. Desired performance characteristics are only binding if they are expressly agreed when the contract is concluded. Delivery possibilities and technical features are subject to change. All information is provided without guarantee. We reserve the right to make equipment changes and further developments.

© SENNEBOGEN Maschinenfabrik GmbH, Straubing/Germany. Reproduction, even in part, only with written permission of SENNEBOGEN Maschinenfabrik GmbH, Straubing/Germany.


SENNEBOGEN

SENNEBOGEN
Maschinenfabrik GmbH
Sennebogenstraße 10
94315 Straubing, Germany

Tel. +49 9421 540-144/146
Fax +49 9421 43 882
marketing@sennebogen.de

BestellNr. / Item No. 18653
B35R-E-1014w

GO FOR GREEN

 www.sennebogen.de