

**PRELIMINARY**



**227** kW (Stage IIIa)



**231** kW (Stage V)

**200** kW (Electro)

**77 - 110** t



**17 - 21** m



**MAXCAB**

**MASTERCAB**

# 855E Hybrid

Mobile material handler



1962: rope-driven S833  
with elevated operator cab

### What makes up the E-Series

- 65 years of experience in designing and constructing hydraulic material handling machines
- Uncompromisingly high performance in all areas: Focus on material handling
- Technology that can be mastered: High-quality components without over-engineering
- Long service life and high value retention

### Your top benefits:

#### 1 Green Efficiency

Save fuel – reduce operating costs Work quietly – protect operator and environment



#### 2 Top-level performance

Durable mechanical systems – stressed parts optimized High speeds– high load capacities

#### 3 Maximum usability

Maxcab comfort cab – work in comfort  
SENCON – work program selection made easy



#### 4 Maximum safety

Safe entry and exit – no-slip steps State-of-the-art cameras – entire work area in view

#### 5 Maintenance and service made easy

SENNEBOGEN control system– easy error diagnostics  
Simple maintenance– clear labelling

#### 6 Consultation and support in your area

3 production sites – 2 subsidiaries 150 sales partners –  
over 350 service stations







Subject to change. Additional options available upon request.

# B55E Hybrid

## The E-Series. At a glance.



### Four ways to save fuel

- Up to 20 % savings: Work in EcoMode with reduced engine speed
- Idle automation reduces speed to 40 % of operating speed
- Stop automation switches the engine off when not needed
- Optimized engine settings, reduced specific fuel consumption, state-of-the-art exhaust after treatment



### Quiet operation <sup>2</sup>

- Consistently quiet operation thanks to decoupled engine mounts and soundproofing in the doors
- Sound pressure level reduced by up to 4.5 dB; sound power level according to 2000/14/EC up to 2 dB lower than required

### High-capacity cooling <sup>3</sup>

- Constant, reliable performance thanks to large-dimensioned and robust fans and coolers
- Water and oil coolers with top-notch efficiency thanks to axial-piston pump and motor control and on-demand thermostatic control
- Fan reversal for cleaning in series

<sup>4</sup> Subject to technical changes. Further options available upon request.





## Powerful hydraulic system 4

- Strong pumps with power reserves
- Top efficiency thanks to large-dimensioned hydraulic valves and lines
- Extra-long change intervals of 4,000 operating hours through initial fill-up with special oil with extended service life when using SENNEBOGEN HydroClean\*

## Maximum safety

- No-slip work surfaces
- Hand rails 1
- 2 cameras to the right and rear
- Step grid with railing next to cab sliding door
- Protective guard\*, windshield/roof



The premium cab.

## Panoramic view

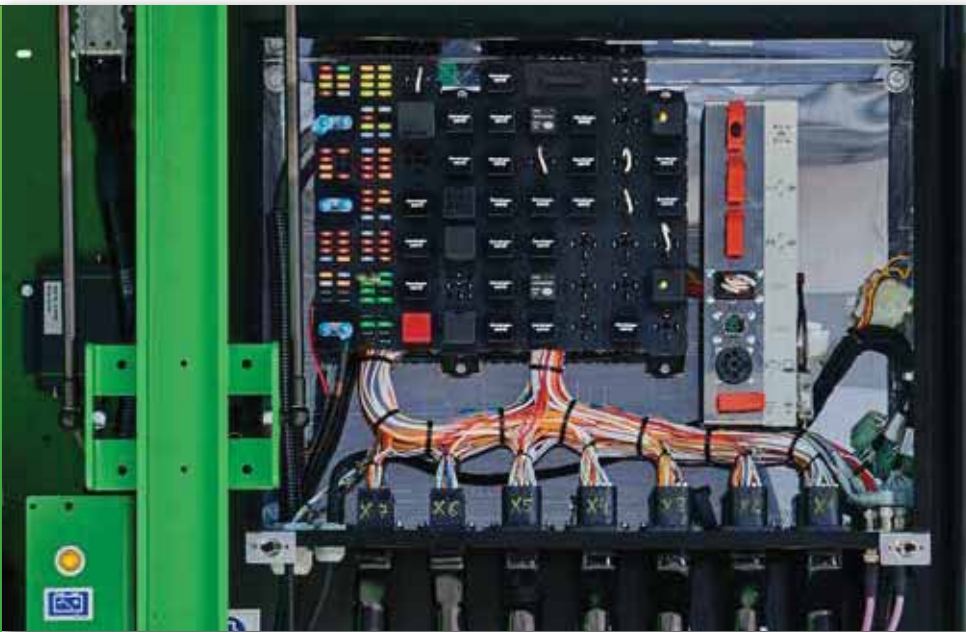
### Equipment features

- optimal indoor climate with automatic climate control, partly tinted windows
- comfortable even temperature distribution via 9 air vents
- panoramic view
- Air suspended comfort seat, seat heater
- quiet due to optimized soundproofing
- Safety & comfort thanks to the sliding door, large access opening
- operating elements arranged ergonomically, SENCON
- 12 V, 24 V, and USB charging sockets, cellphone holder, document folder
- various options : electric cooler box behind the driver seat, slip covers, seat climate control

### SENNEBOGEN Joysticks

- Joysticks on resonant, seat-mounted consoles
- Comfortable grip thanks to ergonomic design
- Shortcuts for direct and sensitive control
- Quicker access thanks to optimized design of buttons and switches





## Optimized for maintenance

- Fast and easy diagnostic analysis thanks to the clearly labeled electrical distributor
- Easy access to all service points on the machine
- Automatic central lubrication for equipment and slewing gear raceway



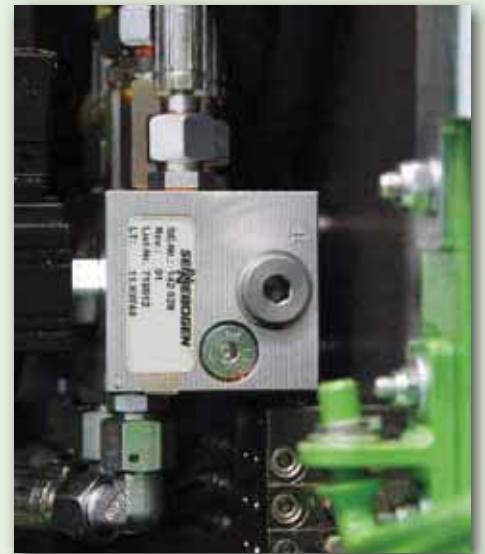
## SENNEBOGEN-HydroClean\*

- Optimal protection of hydraulic components thanks to 3 µm micro-filter
- Cleaner hydraulic oil, extended oil service life



## Central measuring points

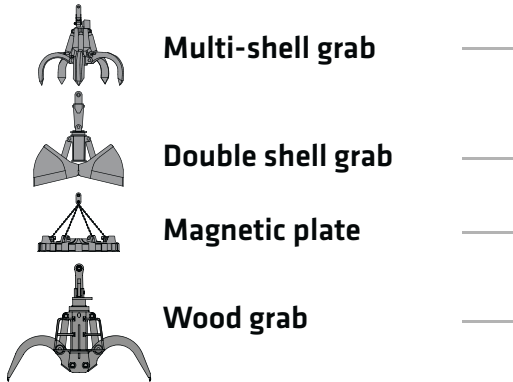
- Easily accessible
- Quickly inspect the entire hydraulic system



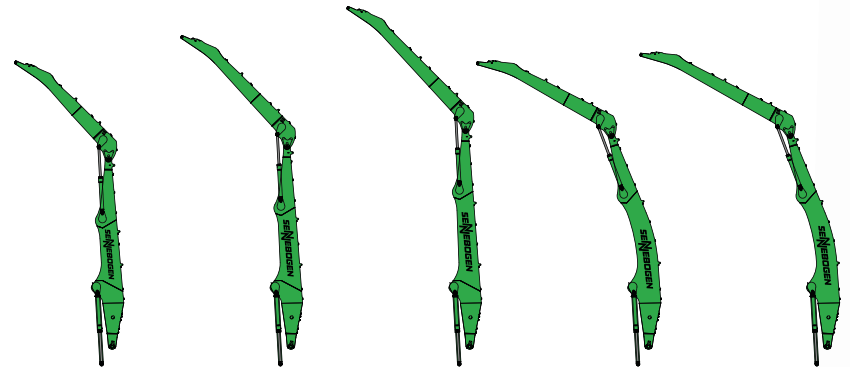
## Clear labeling

- All parts labeled with a unique part number
- Easy and reliable spare parts ordering

### Attachments



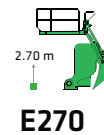
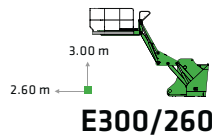
### Equipment options (others available upon request)



### Cabs



#### Cab elevation



K17

K19

K21

B19

B20

### Upper carriage



Diesel-hydraulic drive



Electrohydraulic drive

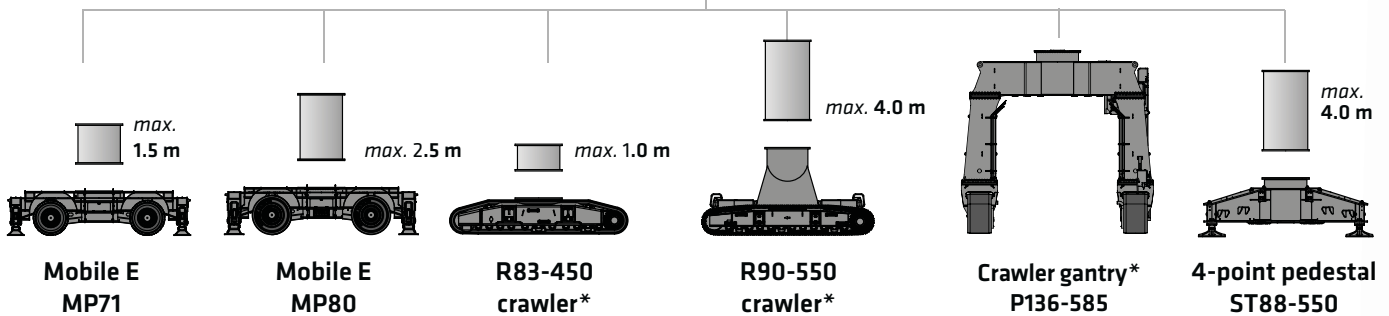


Motorized cable reel



Transformer

### Undercarriage variants





# Advantages at a glance

- Decade-long experience
- most advanced computer simulation
- the greatest degree of stability and longest service life

Reliable working thanks to robust and FEM optimized equipment

Ideal overview and safe working height thanks to stable cab elevation

Better illumination of the work area through powerful LED headlights\*

High load capacities even when fully extended, thanks to massive cylinders

Robust side cover made from recyclable sheet steel

Safe entry and exit thanks to railings, grip handles and no-slip steps

**SENEBOGEN**  
Green Hybrid

Safe entry and exit thanks to platform with railing

High stability due to the broad outrigger area

**855E**  
Hybrid

**B55E**  
Hybrid

## SENNEBOGEN Green Hybrid Energy Recovery System



### Save 30 % energy with the Green Hybrid system

- A combination of hydraulic cylinders at the outrigger and nitrogen piston accumulators with gas recovers energy during the work procedure
- Use of the recovered energy during the next working cycle reduces the necessary engine power



#### Safety

- Use of standard hydraulic components
- Energy storage in the enclosed rear section

#### Reduce operating costs

- High quality components for a long service life and reliability
- Proven concept: successfully in use since 2013
- High efficiency of the system – already very effective in small lifting movements



SGM orange peel grab (4 shells)



| Design / size | Grab capacity | Weight <sup>1</sup>      |      | max. piled density |
|---------------|---------------|--------------------------|------|--------------------|
|               |               | Shell shape <sup>2</sup> |      |                    |
|               |               | HO                       | G    |                    |
| SGM           | l             | kg                       | kg   | t/m <sup>3</sup>   |
| 800.50-4      | 800           | 2245                     | 2490 | 2.0                |
| 1000.50-4     | 1000          | 2345                     | 2585 |                    |
| 1500.50-4     | 1500          | 2475                     | 2830 |                    |
| 2000.50-4     | 2000          | 2660                     | 3075 |                    |

SGM orange peel grab (5 shells)



| Design / size | Grab capacity | Weight <sup>1</sup>      |      | max. piled density |
|---------------|---------------|--------------------------|------|--------------------|
|               |               | Shell shape <sup>2</sup> |      |                    |
|               |               | HO                       | G    |                    |
| SGM           | l             | kg                       | kg   | t/m <sup>3</sup>   |
| 800.50        | 800           | 2580                     | 2740 | 2.0                |
| 1000.50       | 1000          | 2710                     | 2870 |                    |
| 1500.50       | 1500          | 2860                     | 3100 |                    |
| 2000.50       | 2000          | 3060                     | 3370 |                    |
| 2500.50       | 2500          | 3130                     | 3615 |                    |
| 3000.50       | 3000          | 3250                     | 3875 |                    |
| 3500.50       | 3500          | 3420                     | 4140 |                    |

Clamshell grab SGZ



| Design / size | Grab capacity | Weight <sup>1</sup> | max. piled density |
|---------------|---------------|---------------------|--------------------|
| SGZ           | l             | kg                  | t/m <sup>3</sup>   |
| 1500.50-HD    | 1500          | 2240                | 3.5                |
| 2000.50-HD    | 2000          | 2535                |                    |
| 3000.50-L     | 3000          | 2140                | 1.0                |
| 3500.50-L     | 3500          | 2260                |                    |
| 4000.50-L     | 4000          | 2480                | 0.8                |
| 4500.50-L     | 4500          | 2600                |                    |

Magnetic plates



| Type series / model                        | Power | Deadweight | Breakaway force | Load-bearing capacity in kg |
|--|-------|------------|-----------------|-----------------------------|
| WOKO                                       | kW    | kg         | kN              | Bramme (safety factor 2)    |
| S-RLB 15                                   | 11.7  | 2400       | 380             | 19000                       |
| S-RLB 17                                   | 17.8  | 3300       | 640             | 32000                       |
| S-RLB 19                                   | 22.0  | 5090       | 790             | 39500                       |
| Recommended magnetic generator: 20 - 25 kW |       |            |                 |                             |

\*) Available upon request

1) Weight information without grab suspension, stick bolts, hose system

2) Half-open shells: shell sheet steel width 400 mm, 500 mm for 1,250 l capacity and higher

## MACHINE TYPE

Model (type) **855**

## ENGINE

|               |  |
|---------------|--|
| Power         | <b>Stage V:</b><br>Rated Power: 231 kW at 2100 rpm<br>237 kW at 2000 rpm / 242 kW at 1800 rpm<br><b>Stage IIIa:</b><br>Rated Power: 227 kW at 2000 rpm<br>254 kW at 1800 rpm |
| Model         | <b>Cummins L9</b><br>Direct injection, turbo-charged,<br>charge air cooler, reduced emissions,<br>Eco Mode, automatic idle, automatic stop,<br>fuel pre-warming              |
| Cooling       | Water-cooled, cooler fan reversal  |
| Diesel filter | With water separator and heating system  |
| Air filter    | Dry filter with integrated pre-separator,<br>automatic dust discharge, main element<br>and safety element, contamination indicator   |
| Fuel tank     | <b>1000 l</b>  |
| DEF tank      | <b>100 l</b>   |
| Electr. Annex | <b>24 V</b>  |
| Batteries     | <b>2 x 155 Ah</b> , battery disconnect switch  |
| Options       | <ul style="list-style-type: none"> <li>■ Engine block heater</li> <li>■ Electric fuel pump</li> </ul>  |

## UPPER CARRIAGE

|                        |  |
|------------------------|--|
| Design                 | Torsion-resistant box design, precision<br>crafted, steel bushings for boom bearings.<br>Extremely service-friendly design,<br>longitudinal engine.  |
| Central<br>lubrication | Automatic central lubrication for equipment<br>and slewing ring  |
| Electrical<br>system   | Central electrical distributor, battery<br>disconnect switch   |
| Cooling system         | 3-circuit cooling system with high cooling<br>output, thermostatically regulated fan drive<br>for oil cooler and water cooler, fan reversal<br>for cleaning  |
| Options                | <ul style="list-style-type: none"> <li>■ Slewing gear brake via foot pedal</li> <li>■ LED lighting packages</li> <li>■ Fire extinguisher</li> <li>■ Sea climate resistant coating<br/>               as corrosion protection</li> <li>■ Electric hydraulic tank preheating<br/>               for temperatures below -20 °C</li> </ul> |

## Options

- Low-temperature
- Hydraulically driven magnetic generator  
 20 kW / 25 kW
- SENtrack DS telematic system



## HYDRAULIC SYSTEM


|  |  |
|--|--|
| Load sensing/LUDV hydraulic system, hydraulic pilot-controlled<br>work functions, load limit sensing control |  |
| Pump type  | Swashplate-type variable-displacement piston<br>pump, load pressure-independent flow<br>distribution for simultaneous, independent<br>control of work functions  |
| Pump control   | Zero-stroke control, on-demand flow control –<br>the pumps only pump as much oil as will<br>actually be used, pressure purging, load limit<br>sensing control  |
| Operating<br>pressure  | <b>max. 350 bar</b>  |
| Delivery rate  | <b>2 x 369 l/min</b> and <b>1 x 240 l/min</b><br>for rotary drive in the closed circuit  |
| Filtration   | High-performance filtration with long<br>change interval   |
| Hydraulic tank   | <b>900 l</b>   |
| Control sys-<br>tem  | Proportional, precision hydraulic actuation of<br>work movements, 2 hydraulic servo joysticks<br>for the work functions, additional functions<br>via switches and foot pedals  |
| Safety   | Hydraulic circuits with safety valves, secured<br>emergency lowering of the equipment at<br>engine standstill, pipe fracture safety valves<br>for lift cylinder and stick cylinder   |
| Options  | <ul style="list-style-type: none"> <li>■ Bio-oil – environmentally friendly</li> <li>■ ToolControl for programming the pressure/<br/>               rate for up to 10 tools</li> <li>■ Additional hydraulic circuit for shear attachment</li> <li>■ Load moment warning with capacity<br/>               utilization indicator</li> <li>■ Overload safeguard with shutdown</li> <li>■ 60 µm pressure filter for attachments</li> <li>■ 3 µm hydraulic micro-filter –<br/>               SENNEBOGEN HydroClean</li> </ul> |


## SLEWING DRIVE



|               |  |
|---------------|--|
| Gearbox       | Compact planetary gear with slant-axis<br>hydraulic motor, integrated brake valves |
| Parking brake | Spring-loaded multi-disk brake   |
| Slewing ring  | Very strong slewing ring sealed<br>with pinion lubrication                         |
| Slewing speed | 0–5,5 rpm, stepless  |




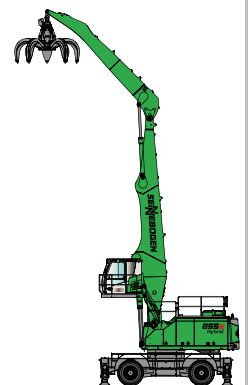
|  <b>CAB</b>  |   |
|--|---|
| Cab elevation  | E270, hydraulically elevating cab   |
| Cab equipment  | Sliding door inc. sliding pane, vibration damped, tinted safety glass, front pane can be openend, roof window, windscreen wiper for front pane, radio preparation, air-suspended comfort seat, joystick steering, SENNEBOGEN SENCON control & diagnosis system  |
| Options  | <ul style="list-style-type: none"> <li>■ 30° tiltable cab</li> <li>■ Cab elevation E300/260, can be elevated and moved forward hydraulically</li> <li>■ Cab elevation Skylift 700/900</li> <li>■ Mastercab (Large-capacity port cab)</li> <li>■ Maxcab Industry</li> <li>■ Armored-glass windshield</li> <li>■ Armored-glass sunroof</li> <li>■ Safety side window and rear window</li> <li>■ Windscreen wiper for front window/sky-light</li> <li>■ Rolling shade for roof window and windshield</li> <li>■ FOPS protective roof guard</li> <li>■ Protective front guard</li> <li>■ Charcoal filter for circulating and outside air</li> <li>■ Auxiliary heating</li> <li>■ Climatic seat</li> <li>■ Radio</li> <li>■ Electric cool box</li> </ul> |

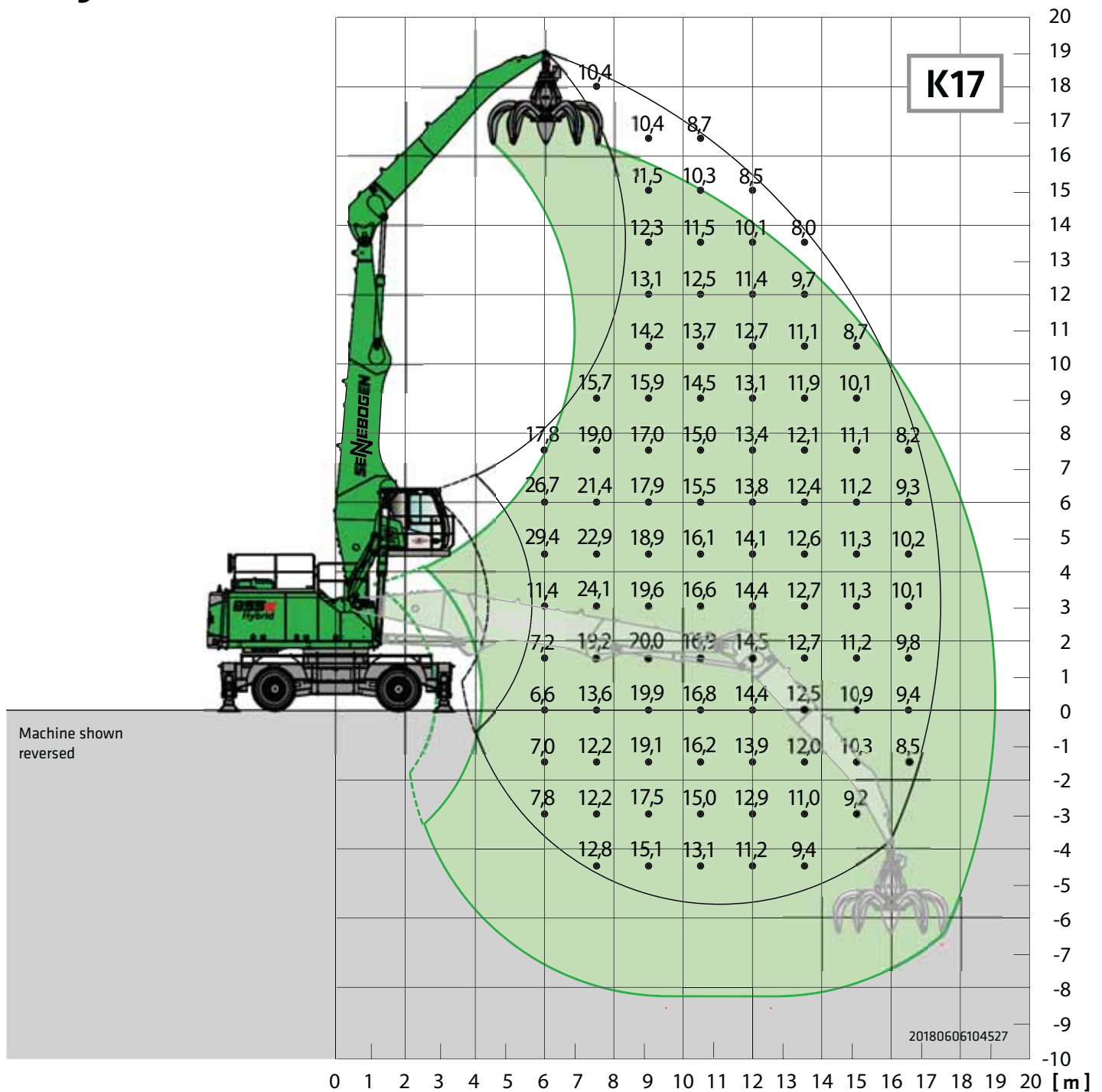
|  <b>FUNCTIONING</b> |   |
|--|---|
| Design   | Decades of experience, state-of-the-art computer simulation, highest level of stability, longest service life, large-dimensioned and low-maintenance bearing points, sealed special bearing bushes, precision-crafted, quick-release couplings on the connections – open/close/rotate grab  |
| Cylinders  | Hydraulic cylinders with high-quality sealing and guide elements, end position damping, sealed bearing points   |
| Options  | <ul style="list-style-type: none"> <li>■ Ball valves in the hydraulic lines for quick and easy grab switching</li> <li>■ Sea climate resistant coating</li> <li>■ Sea climate resistant coating of all cylinders, nickel-plated and chrome-plated</li> <li>■ Float position of the equipment</li> <li>■ Hoisting limiter / stick limitation adjustable for stop settings, e.g. in the hall</li> </ul> |

|  <b>UNDERCARRIAGE</b> |  |
|--|--|
| Design   | MP71 E mobile undercarriage with integrated 4-point outrigger system, hydraulic locking pendulum steering axle and pendulum axle cylinder with pipe fracture safety valves                                       |
| Drive  | All-wheel drive powered by a variable-displacement hydraulic motor with direct-mounted, automatically actuated brake valve Planetary axles with integrated steering cylinders, service brake in 2-circuit system |
| Parking brake  | Spring-loaded multi-disk brake   |
| Tires  | <b>14.00-24</b> , 8x   |
| Speed  | <b>0-12 km/h</b> variable  |
| Options  | <ul style="list-style-type: none"> <li>■ Tires: <b>16.00-25</b>, 8x</li> <li>■ Traction drive protection</li> <li>■ Shunting coupler</li> </ul>  |

|  <b>ELECTRIC DRIVE</b>  |  |
|---|--|
| Option  | <ul style="list-style-type: none"> <li>■ Power: <b>200 kW / 400 V / 50 Hz</b><br/>Total connected load 340 kVA, machine side fuse 400 A (alternatively 425 A with magnet system) for 400 V – via star-delta circuit</li> <li>■ Advantages: Lowest operating costs, quiet and virtually vibration-free work, long service life of hydraulic components</li> </ul> |

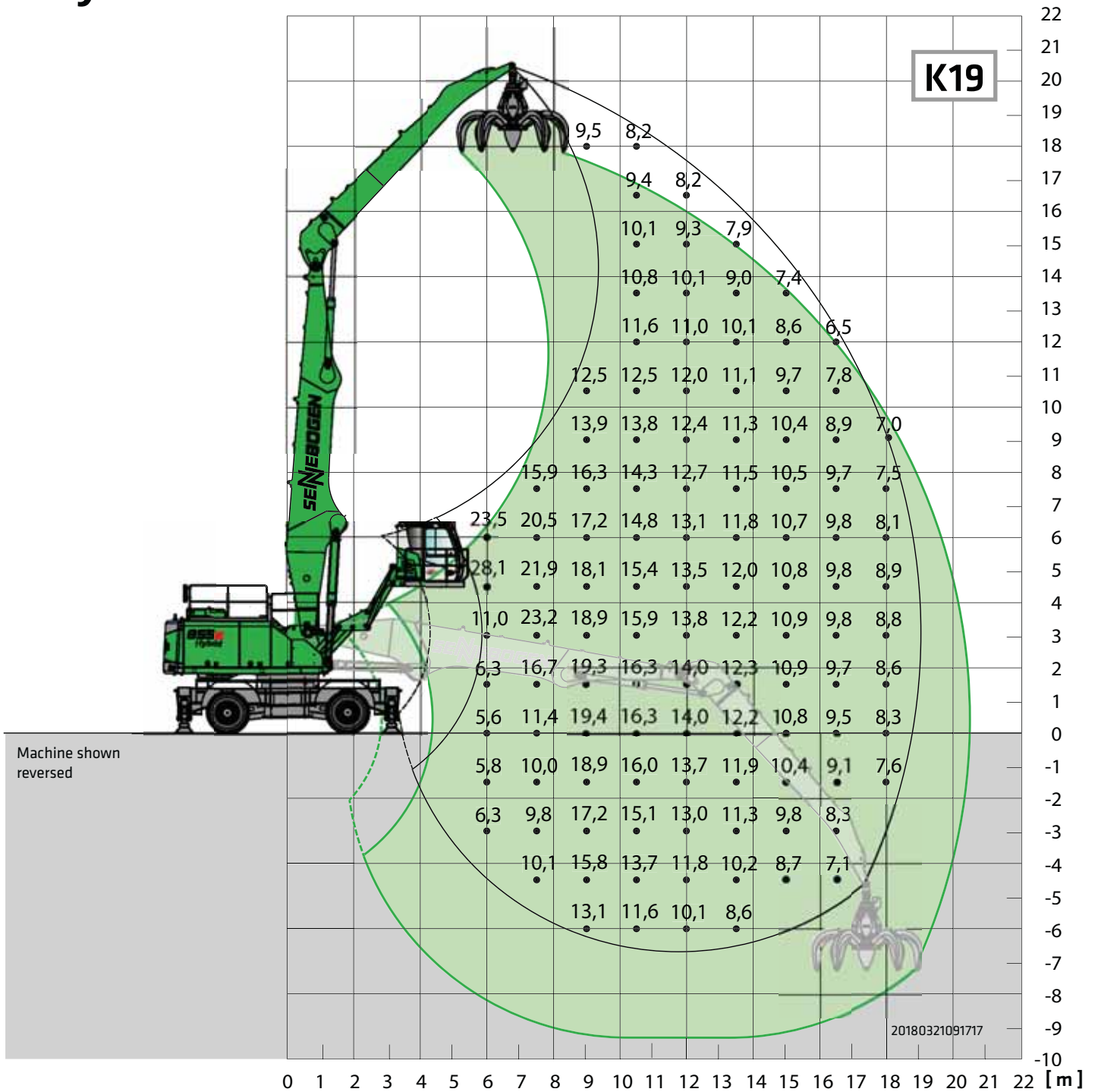
|  <b>OPERATING WEIGHT</b> |   |
|---|---|
| Mass  | <b>approx. 77,000 kg</b><br>855 M basic machine with K17 equipment and orange peel grab |
| Notice  | Operating weight varies by design.  |





**Undercarriage:** MP71    **Compact boom:** 10.5 m    **Cab:** Maxcab E270, hydraulically elevating  
**Grab stick:** 7.5 m

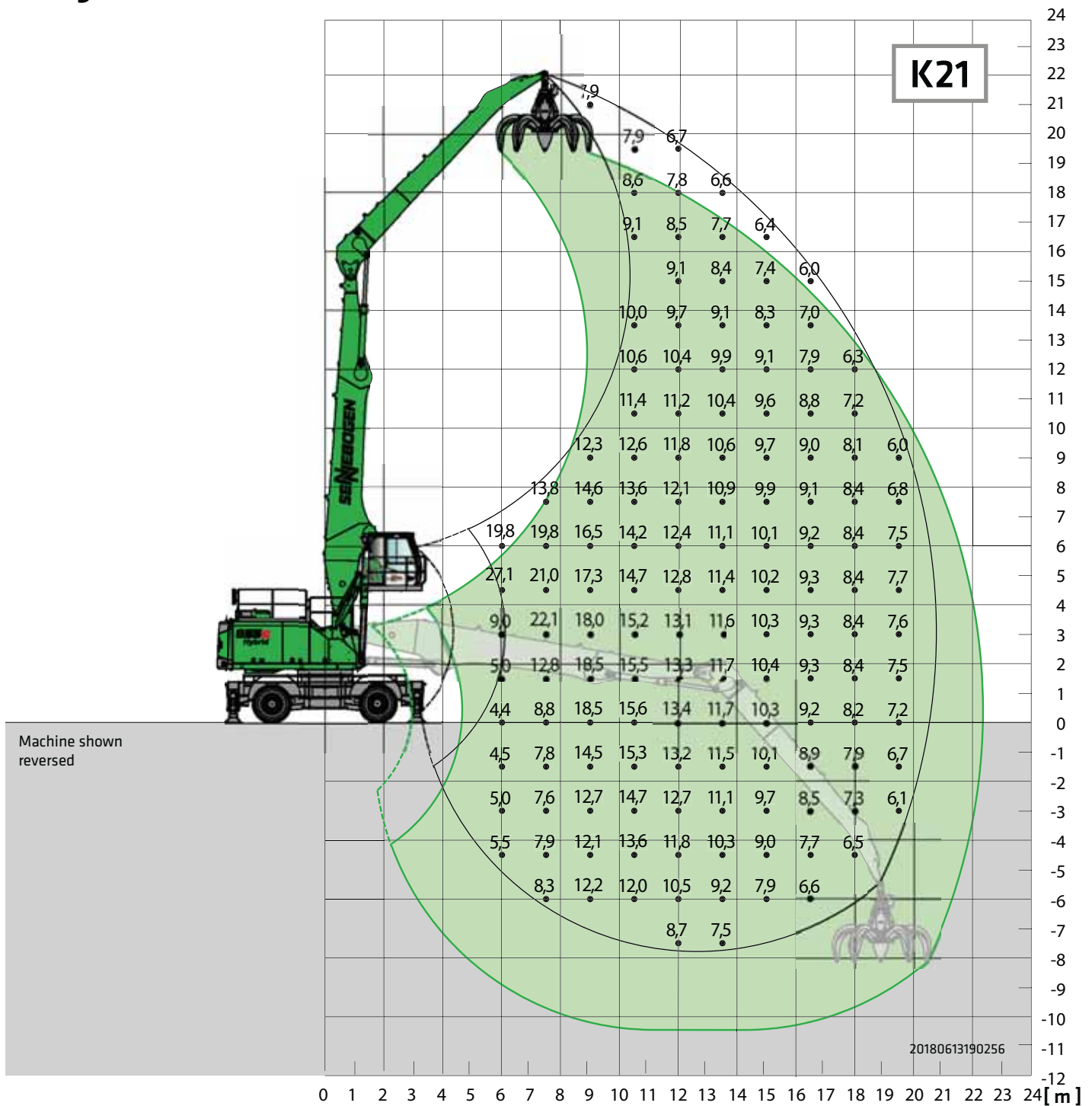
All load ratings are specified in tons (t) and apply at the end of the stick, without attachment, on solid, level ground. Attachments such as grabs, magnets, load hooks, etc. are part of the specified load ratings. The specified values are 75% of the static tipping load or 87% of the hydraulic lifting force in accordance with ISO 10567, and apply at the required operating temperature in the Green Hybrid system. In accordance with EU standard EN 474/5, hydraulic material handling machines used for hoisting must be equipped with pipe fracture safety devices on the hoist and stick cylinders and an overload warning device. Loads rating apply to a machine with deployed 4-point outrigger support and 360° slewing.



**Undercarriage:** MP71    **Compact boom:** 11.2 m    **Cab:** Maxcab E300/260, can be elevated and moved forward hydraulically  
**Grab stick:** 8.5 m

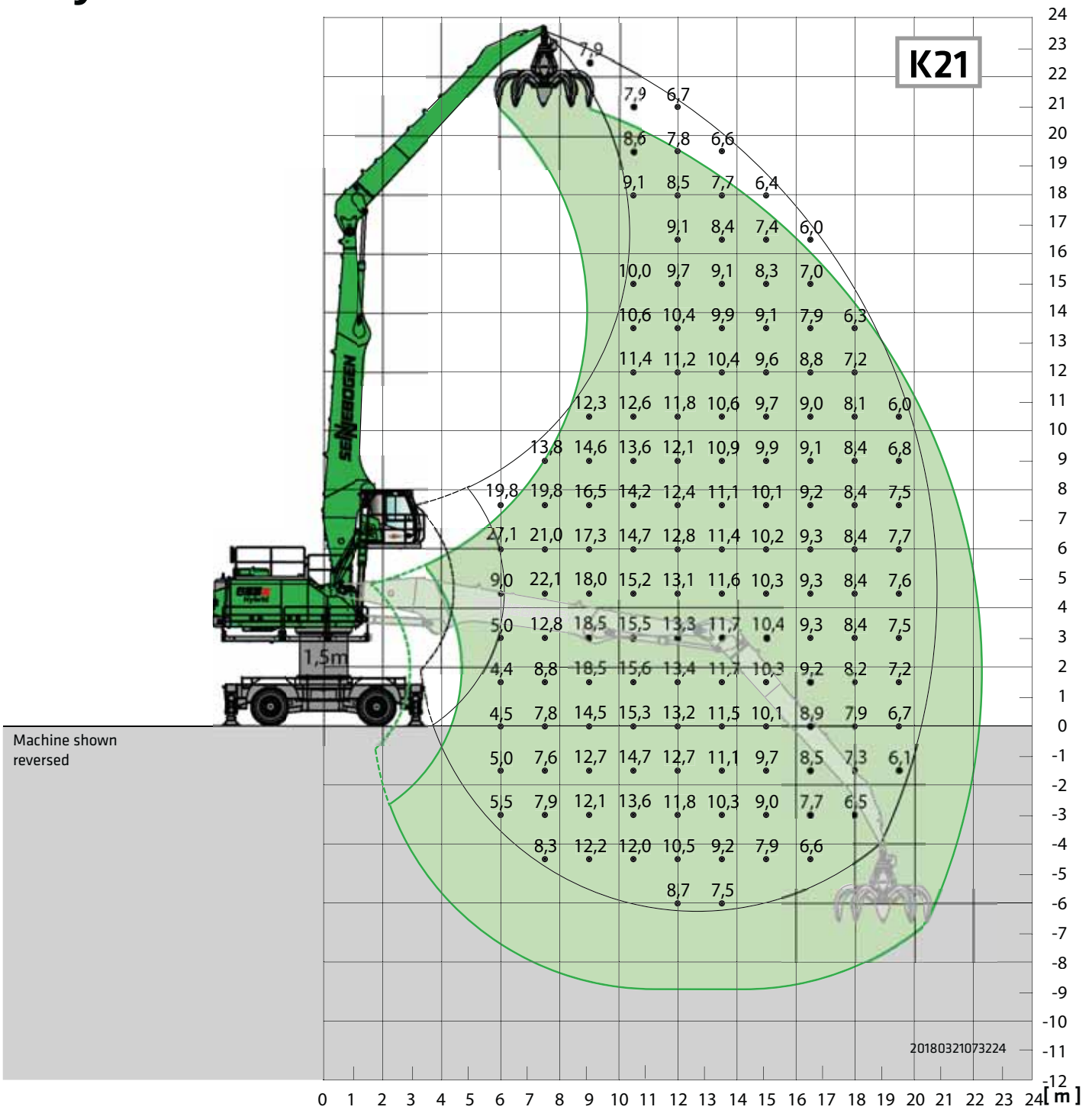
All load ratings are specified in tons (t) and apply at the end of the stick, without attachment, on solid, level ground. Attachments such as grabs, magnets, load hooks, etc. are part of the specified load ratings. The specified values are 75% of the static tipping load or 87% of the hydraulic lifting force in accordance with ISO 10567, and apply at the required operating temperature in the Green Hybrid system. In accordance with EU standard EN 474/5, hydraulic material handling machines used for hoisting must be equipped with pipe fracture safety devices on the hoist and stick cylinders and an overload warning device. Loads rating apply to a machine with deployed 4-point outrigger support and 360° slewing.





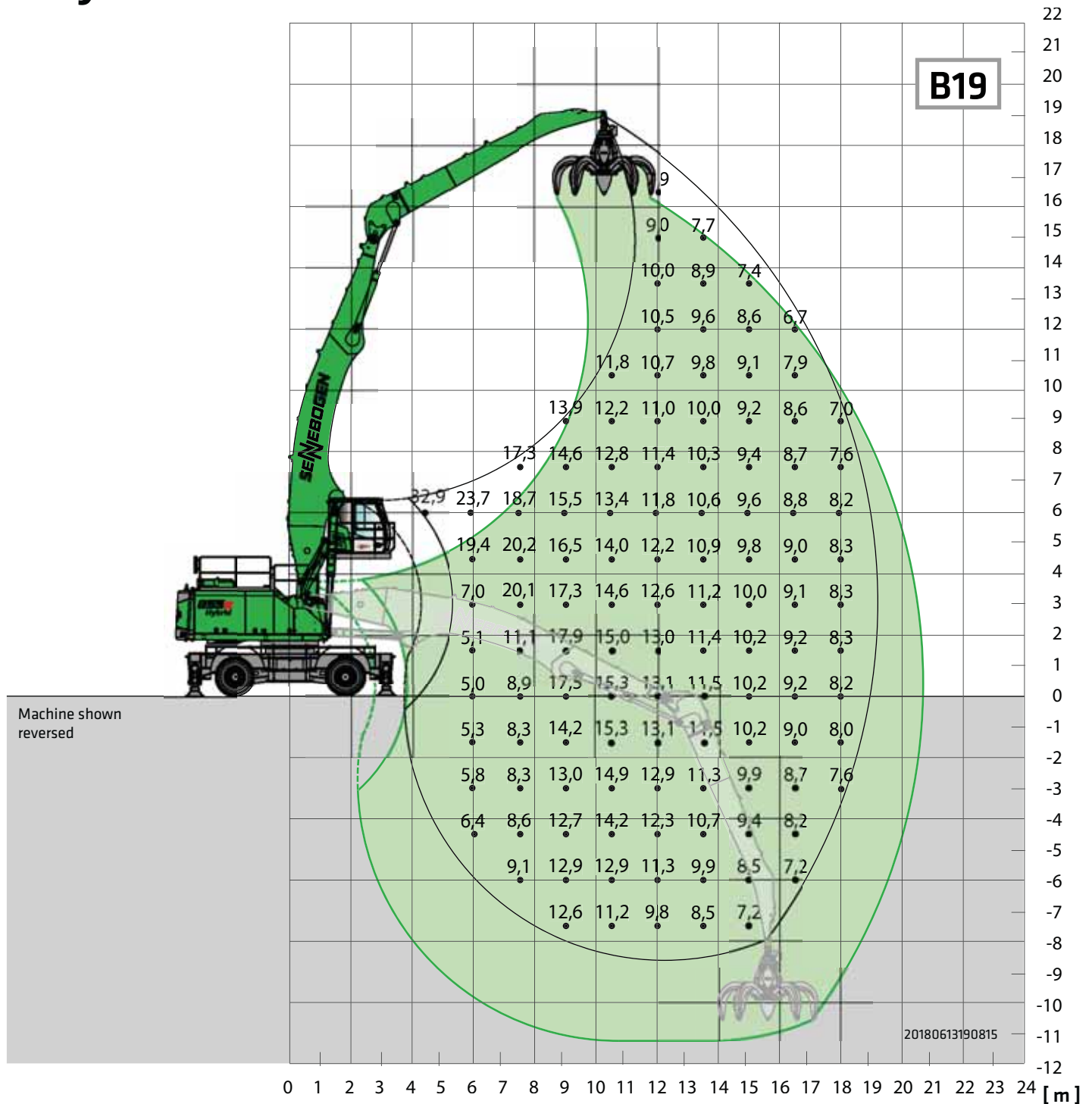
**Undercarriage:** MP71    **Compact boom:** 12.1 m    **Cab:** Maxcab E270, hydraulically elevating  
**Grab stick:** 9.5 m

All load ratings are specified in tons (t) and apply at the end of the stick, without attachment, on solid, level ground. Attachments such as grabs, magnets, load hooks, etc. are part of the specified load ratings. The specified values are 75% of the static tipping load or 87% of the hydraulic lifting force in accordance with ISO 10567, and apply at the required operating temperature in the Green Hybrid system. In accordance with EU standard EN 474/5, hydraulic material handling machines used for hoisting must be equipped with pipe fracture safety devices on the hoist and stick cylinders and an overload warning device. Loads rating apply to a machine with deployed 4-point outrigger support and 360° slewing.



|                       |       |                      |        |             |   |
|-----------------------|-------|----------------------|--------|-------------|---|
| <b>Undercarriage:</b> | MP71  | <b>Compact boom:</b> | 12.1 m | <b>Cab:</b> | Maxcab E270,<br>hydraulically elevating |
| <b>Pylon:</b>         | 1.5 m | <b>Grab stick:</b>   | 9.5 m  |             |   |

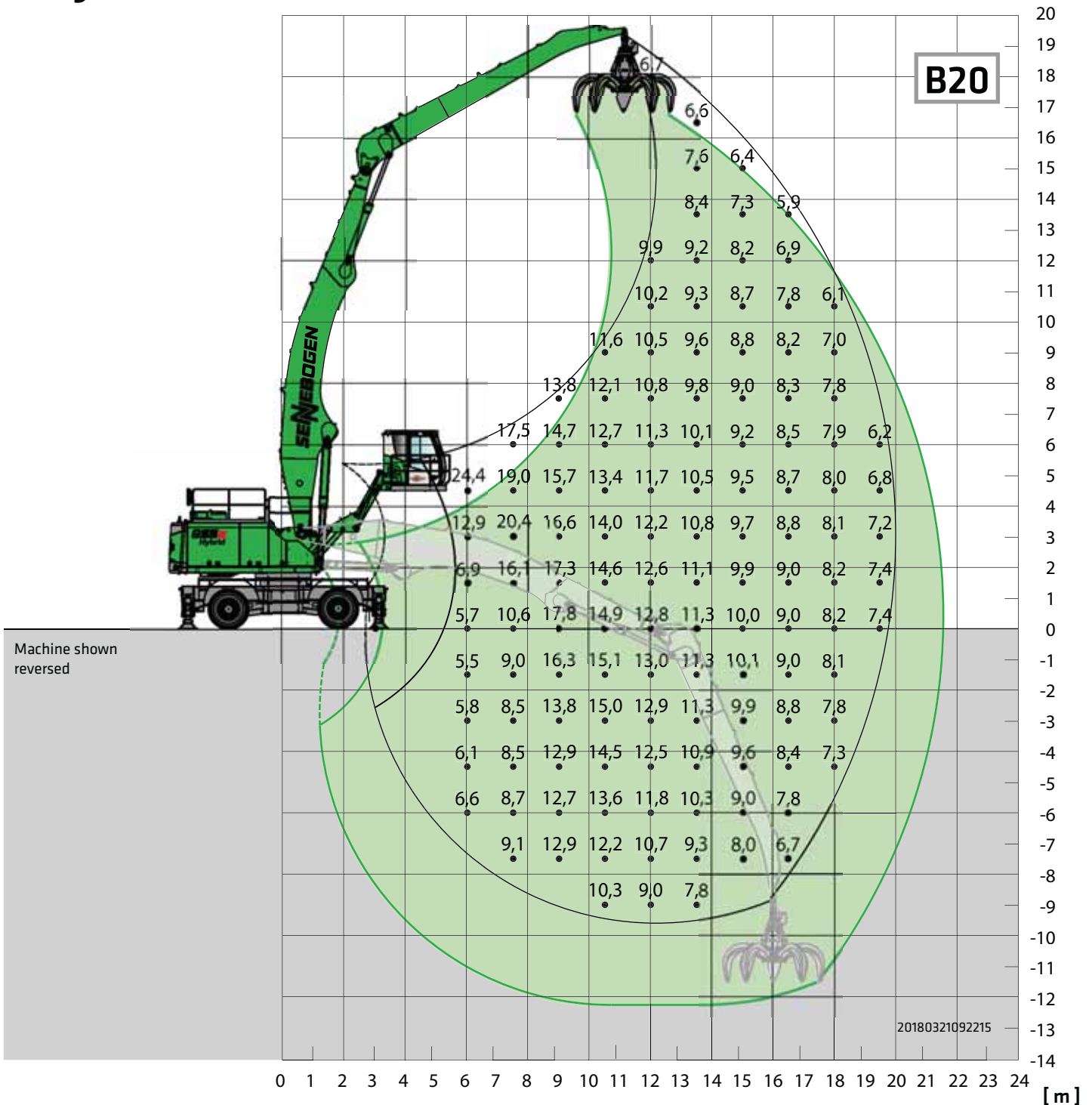
All load ratings are specified in tons (t) and apply at the end of the stick, without attachment, on solid, level ground. Attachments such as grabs, magnets, load hooks, etc. are part of the specified load ratings. The specified values are 75% of the static tipping load or 87% of the hydraulic lifting force in accordance with ISO 10567, and apply at the required operating temperature in the Green Hybrid system. In accordance with EU standard EN 474/5, hydraulic material handling machines used for hoisting must be equipped with pipe fracture safety devices on the hoist and stick cylinders and an overload warning device. Loads rating apply to a machine with deployed 4-point outrigger support and 360° slewing.



**Undercarriage:** MP71    **Compact boom:** 12 m banana    **Cab:** Maxcab E270, hydraulically elevating  
**Grab stick:** 8.5 m

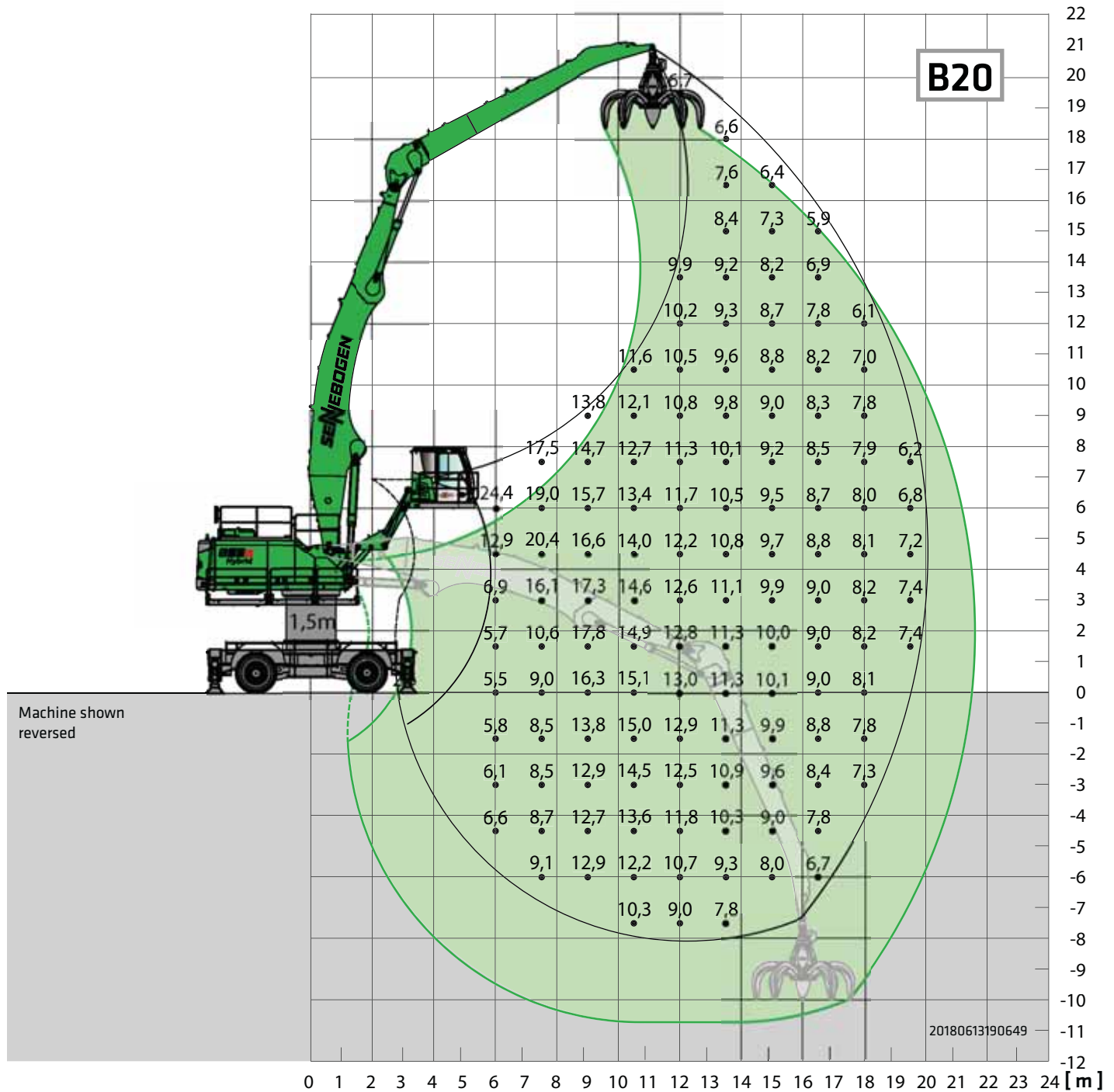
All load ratings are specified in tons (t) and apply at the end of the stick, without attachment, on solid, level ground. Attachments such as grabs, magnets, load hooks, etc. are part of the specified load ratings. The specified values are 75% of the static tipping load or 87% of the hydraulic lifting force in accordance with ISO 10567, and apply at the required operating temperature in the Green Hybrid system. In accordance with EU standard EN 474/5, hydraulic material handling machines used for hoisting must be equipped with pipe fracture safety devices on the hoist and stick cylinders and an overload warning device. Loads rating apply to a machine with deployed 4-point outrigger support and 360° slewing.





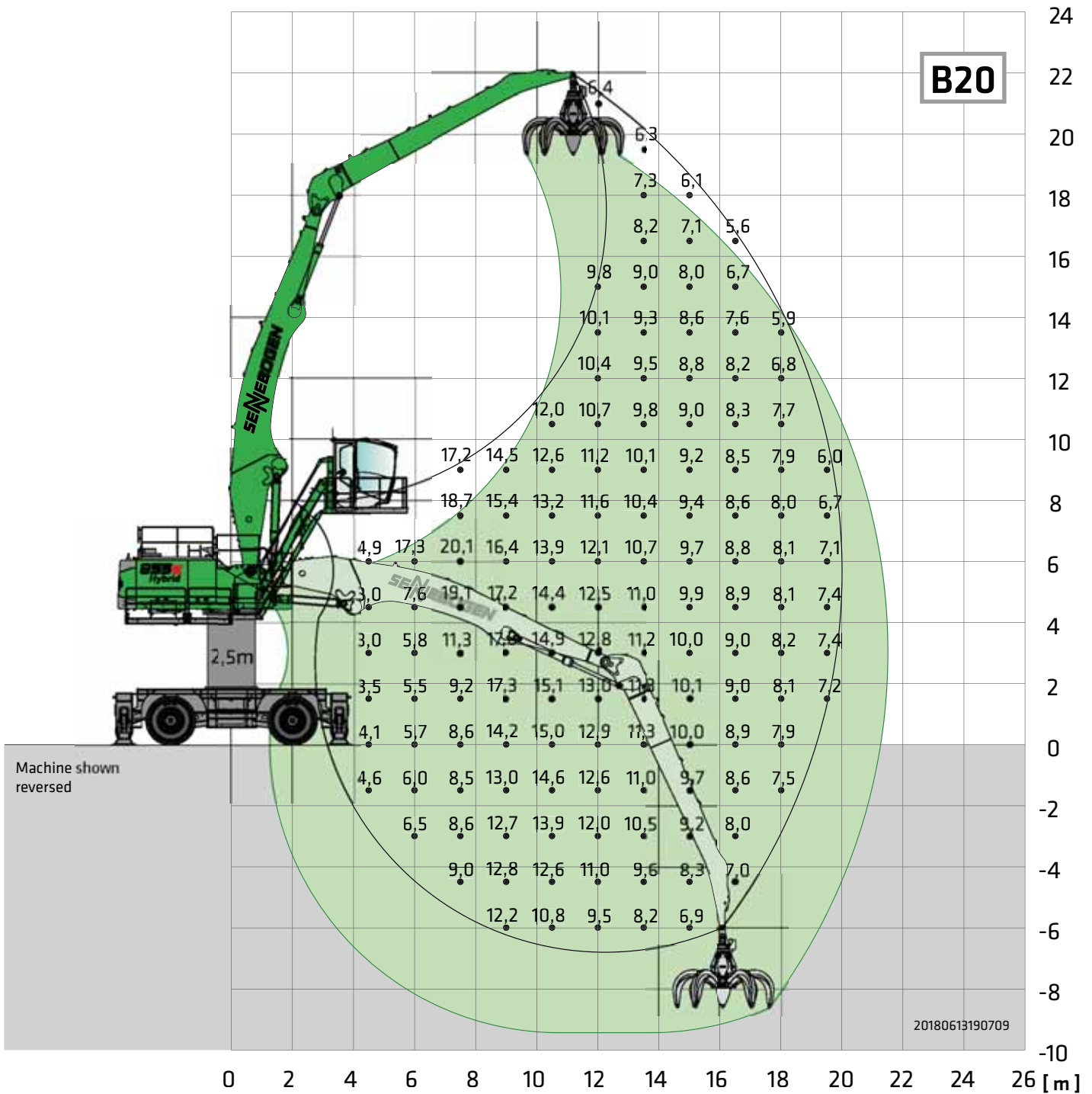
**Undercarriage:** MP71    **Compact boom:** 12 m banana    **Cab:** Maxcab E300/260, can be elevated and moved forward hydraulically  
**Grab stick:** 9.5 m

All load ratings are specified in tons (t) and apply at the end of the stick, without attachment, on solid, level ground. Attachments such as grabs, magnets, load hooks, etc. are part of the specified load ratings. The specified values are 75% of the static tipping load or 87% of the hydraulic lifting force in accordance with ISO 10567, and apply at the required operating temperature in the Green Hybrid system. In accordance with EU standard EN 474/5, hydraulic material handling machines used for hoisting must be equipped with pipe fracture safety devices on the hoist and stick cylinders and an overload warning device. Loads rating apply to a machine with deployed 4-point outrigger support and 360° slewing.



**Undercarriage:** MP71    **Compact boom:** 12 m banana    **Cab:** Maxcab E300/260, can be elevated and moved forward hydraulically  
**Pylon:** 1.5 m    **Grab stick:** 9.5 m

All load ratings are specified in tons (t) and apply at the end of the stick, without attachment, on solid, level ground. Attachments such as grabs, magnets, load hooks, etc. are part of the specified load ratings. The specified values are 75% of the static tipping load or 87% of the hydraulic lifting force in accordance with ISO 10567, and apply at the required operating temperature in the Green Hybrid system. In accordance with EU standard EN 474/5, hydraulic material handling machines used for hoisting must be equipped with pipe fracture safety devices on the hoist and stick cylinders and an overload warning device. Loads rating apply to a machine with deployed 4-point outrigger support and 360° slewing.



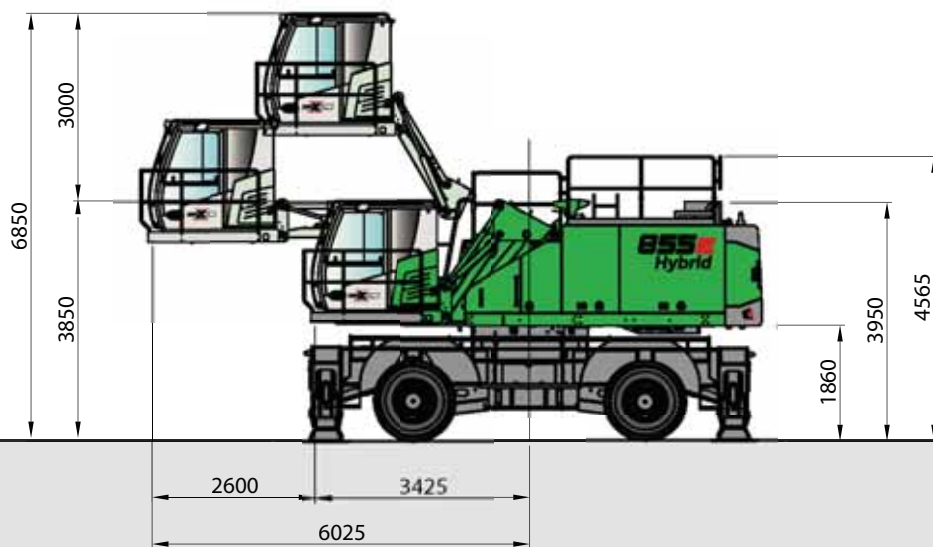
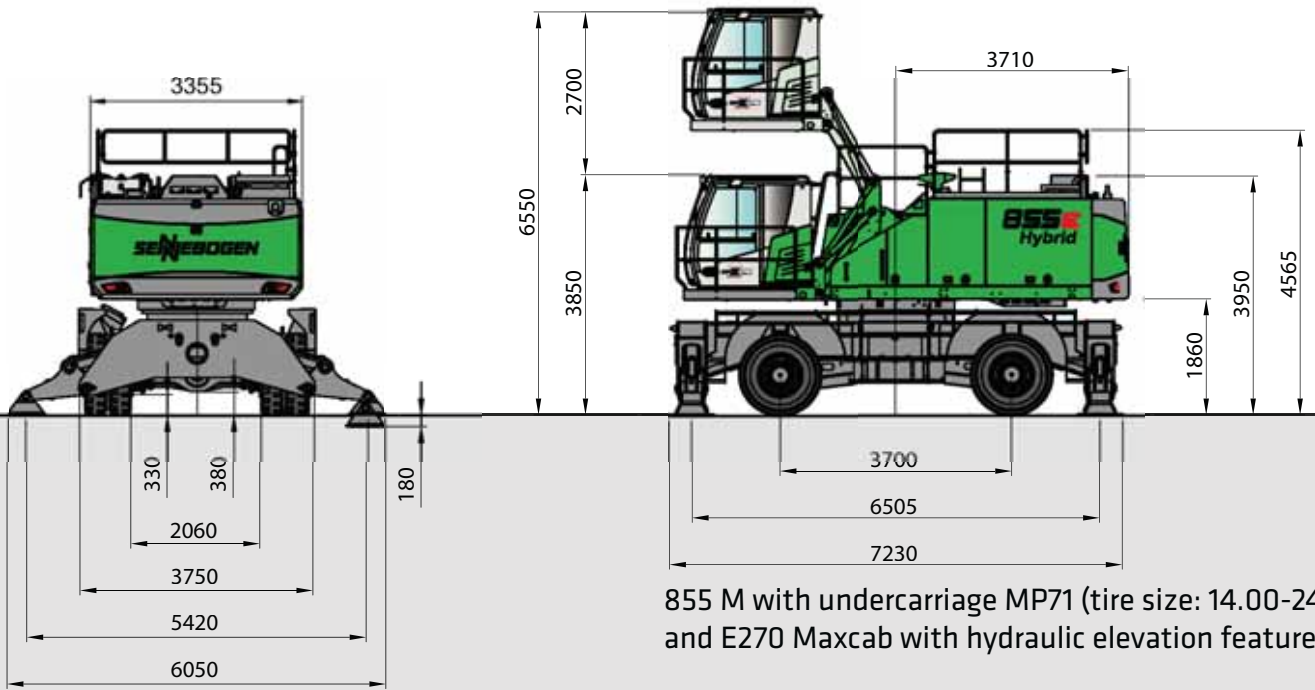
|                       |       |                      |             |             |  |
|-----------------------|-------|----------------------|-------------|-------------|--|
| <b>Undercarriage:</b> | MP80  | <b>Compact boom:</b> | 12 m banana | <b>Cab:</b> | Skylift 700 with Master cab, hydraulically elevating |
| <b>Pylon:</b>         | 2.5 m | <b>Grab stick:</b>   | 9.5 m       |             |  |

All load ratings are specified in tons (t) and apply at the end of the stick, without attachment, on solid, level ground. Attachments such as grabs, magnets, load hooks, etc. are part of the specified load ratings. The specified values are 75% of the static tipping load or 87% of the hydraulic lifting force in accordance with ISO 10567, and apply at the required operating temperature in the Green Hybrid system. In accordance with EU standard EN 474/5, hydraulic material handling machines used for hoisting must be equipped with pipe fracture safety devices on the hoist and stick cylinders and an overload warning device. Loads rating apply to a machine with deployed 4-point outrigger support and 360° slewing.



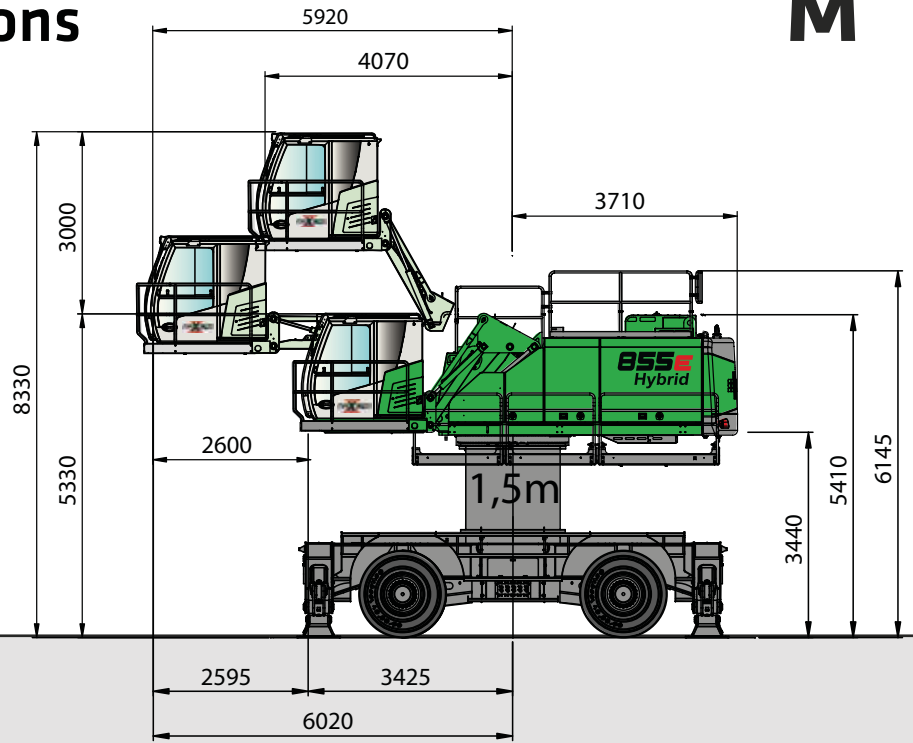
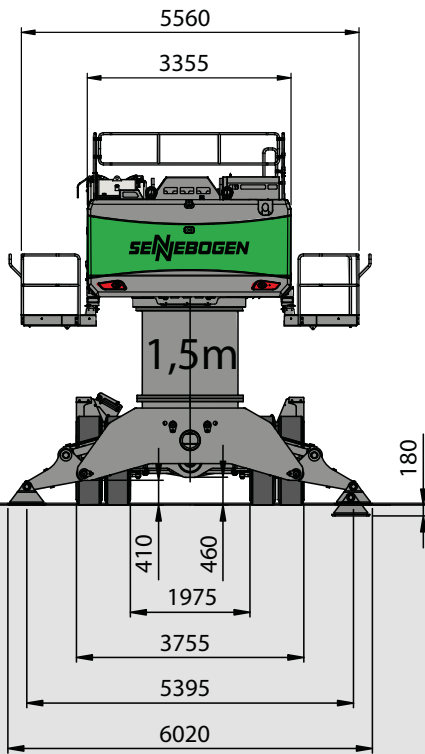
# 855E Hybrid Dimensions

# M

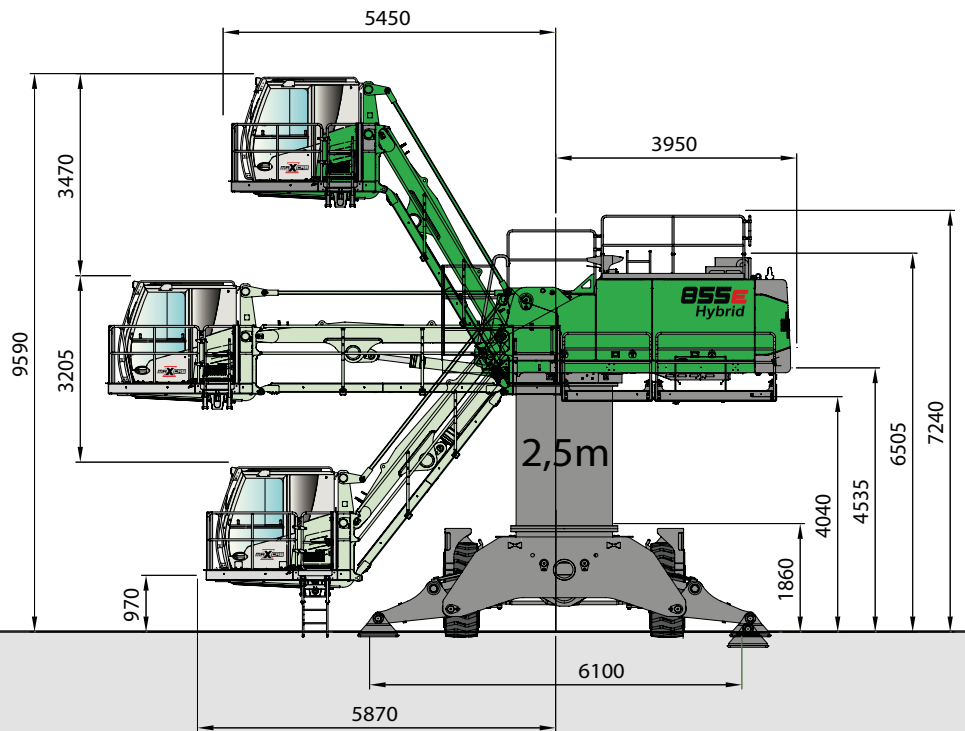
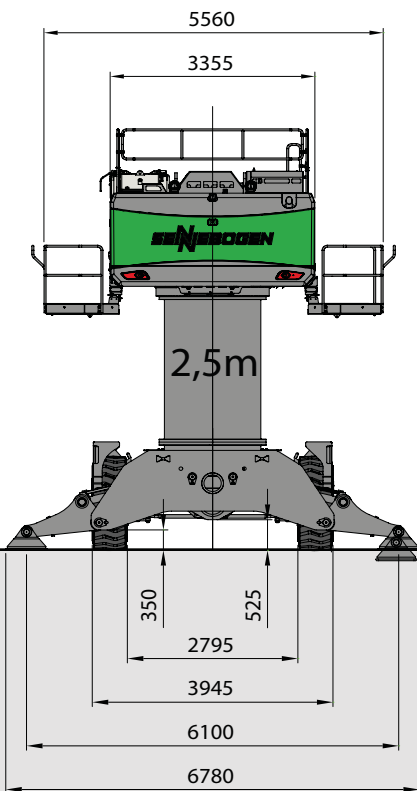


# B55E Hybrid Dimensions

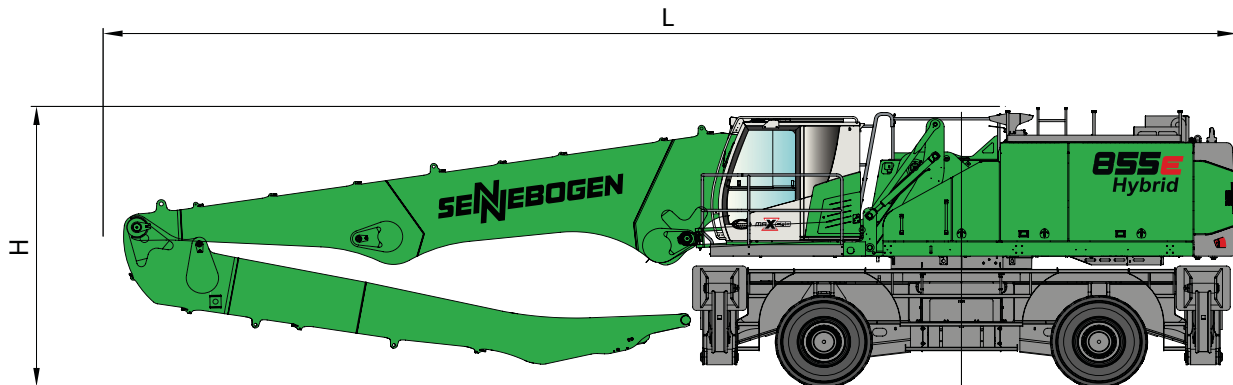
M



855 M with undercarriage MP71 (tire size: 16.00-25)  
Maxcab E300/260, can be elevated and moved forward hydraulically, Pylon 1.5 m



855 M with undercarriage MP80 (tire size: 23.5-25),  
Maxcab with hydraulic elevation Skylift 700 and 2.5 m pylon



The following transport dimensions apply to tire sizes 14:00-24 and 16:00-25:

|     | Load boom     | Grab stick | Transport length (L) | Transport height (H) |
|-----|---------------|------------|----------------------|----------------------|
| K17 | 10.5 m        | 7.5 m      | 15.3 m               | 4.00 m               |
| K19 | 11.2 m        | 8.5 m      | 16.0 m               | 4.00 m               |
| K21 | 12.1 m        | 9.5 m      | 16.9 m               | 4.00 m               |
| B19 | 12.0 m Banana | 8.5 m      | 16.6 m               | 4.00 m               |
| B20 | 12.0 m Banana | 9.5 m      | 16.5 m               | 4.00 m*              |

\* Stick removed.

#### Note:

This catalog describes machine models, scopes of equipment of individual models, and configuration options (standard equipment and optional equipment) of the machines supplied by SENNEBOGEN Maschinenfabrik GmbH.

Machine illustrations can contain optional equipment and supplemental equipment. Actual equipment may vary depending on the country to which the machines are delivered, especially in regard to standard and optional equipment and tolerances.





# Notes

M

A large rectangular area filled with a green grid pattern, intended for handwritten notes or technical drawings.

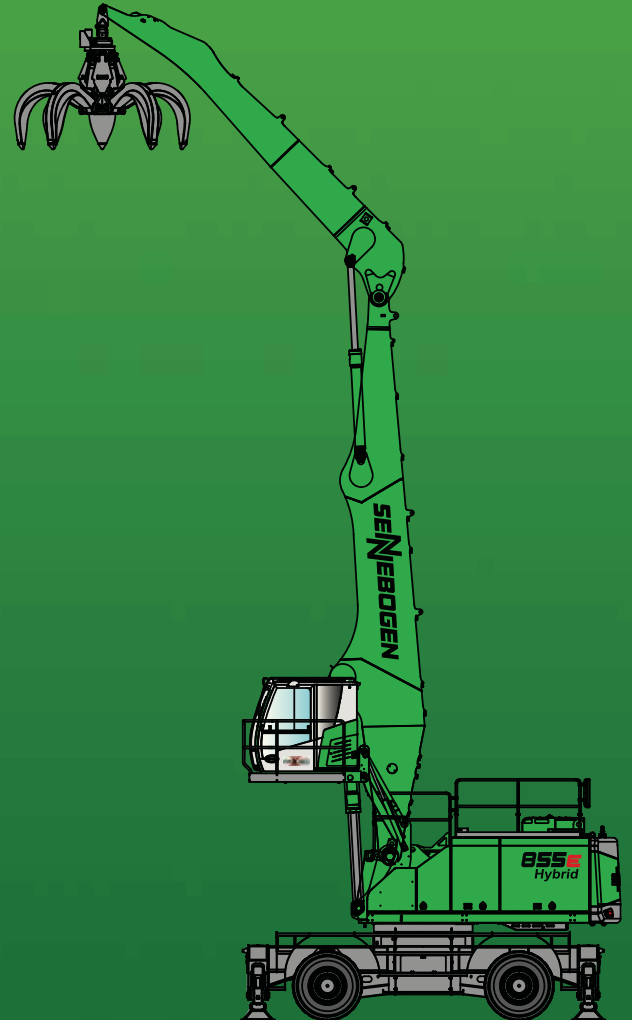






# 855E

# M



This catalog describes machine models, scopes of equipment of individual models, and configuration options (standard equipment and optional equipment) of the machines delivered by SENNEBOGEN Maschinenfabrik GmbH. Machine illustrations can contain optional equipment and supplemental equipment. Actual equipment may vary depending on the country to which the machines are delivered, especially in regard to standard and optional equipment and tolerances.

All product designations used may be trademarks of SENNEBOGEN Maschinenfabrik GmbH or other supplying companies, and any use by third parties for their own purposes may violate the rights of the owners.

Please contact your local SENNEBOGEN sales partner for information concerning the equipment variants offered. Requested performance characteristics are only binding if they are expressly stipulated upon conclusion of the contract. Delivery options and technical features are subject to change. Errors and omissions excepted. Equipment is subject to change, and rights of advancement are reserved.

© SENNEBOGEN Maschinenfabrik GmbH, Straubing, Germany. Reproduction in whole or in part only with written consent of SENNEBOGEN Maschinenfabrik GmbH, Straubing, Germany.

The Sennebogen logo, consisting of the word 'SENNEBOGEN' in a bold, stylized, sans-serif font. The letters are white with a black outline and are set against a dark green rectangular background.

**SENNEBOGEN**  
**Maschinenfabrik GmbH**  
Sennebogenstrasse 1  
0 94315 Straubing, Germany

Tel. +49 9421 5 4 0 - 1 4 4 / 1 4 6  
[marketing@sennebogen.de](mailto:marketing@sennebogen.de)

Order no. 299210  
855 M-E-041610-101810-1119du

GO FOR GREEN

[www.sennebogen.com](http://www.sennebogen.com)